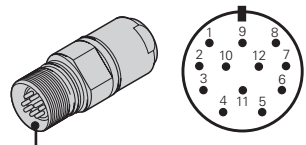
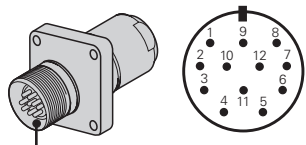


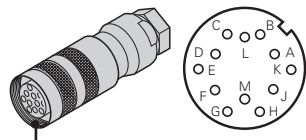
Id.-Nr. 291 698-03



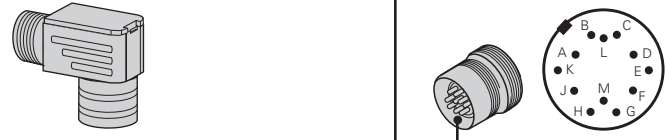
Id.-Nr. 291 698-08



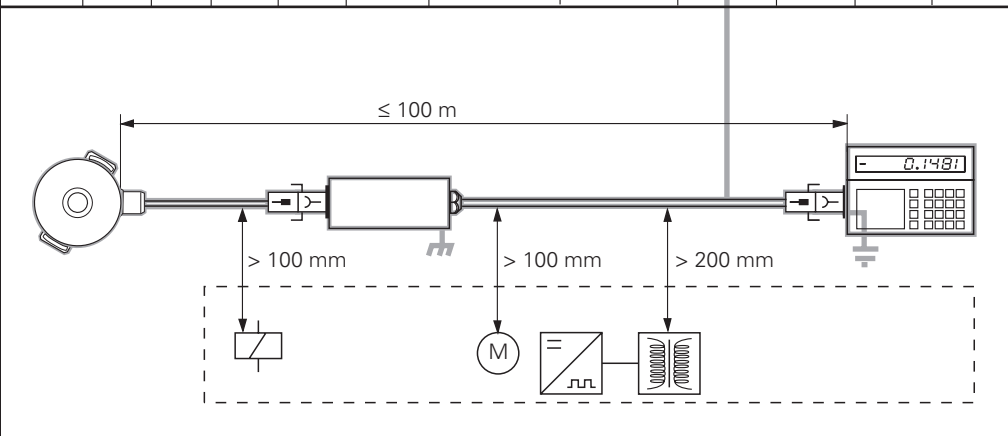
Id.-Nr. 292 275-02



Id.-Nr. 298 541-01



5	6	8	1	3	4	12	10		2	11	7
E	F	H	A	C	D	M	K		B	L	G
U _{a1}	U _{a1}	U _{a2}	U _{a2}	U _{a0}	U _{a0}	5V U _P	0V U _N	Schirm Shield blindage schermo blindaje	5V sensor	0V sensor	U _{aS}
braun brown brun marrone marrón	grün green vert verde verde	grau gray gris gris	rosa pink rose rosa rosa	rot red rouge rosso rojo	schwarz black noir nero negro	braun/grün brown/green brun/vert marrone/verde marrón/verde	weiß/grün white/green blanc/vert bianco/verde blanco/verde		blau blue bleu azzurro azul	weiß white blanc bianco blanco	violett violet violet viola violeta



 °C (°F)	 -10 ... 100 °C (14 ... 212 °F)
	 -40 ... 100 °C (-40 ... 212 °F)
 -30 ... 80 °C (-22 ... 176 °F)	

 T ≥ -40 °C (-40 °F)	 T ≥ -10 °C (14 °F)
Ø 6 mm R ₁ ≥ 20 mm R ₂ ≥ 75 mm	
Ø 8 mm R ₁ ≥ 40 mm R ₂ ≥ 100 mm	

ERN 420

Montageanleitung Mounting Instructions Instructions de montage Istruzioni di montaggio Instrucciones de montaje

9/99



DR. JOHANNES HEIDENHAIN GmbH

Dr.-Johannes-Heidenhain-Straße 5

83301 Traunreut, Germany

☎ +49/8669/31-0

FAX +49/8669/5061

e-mail: info@heidenhain.de

Technical support FAX +49/8669/1000

Measuring systems ☎ +49/8669/31-3104

e-mail: service.ms-support@heidenhain.de

TNC support ☎ +49/8669/31-3101

e-mail: service.nc-support@heidenhain.de

NC programming ☎ +49/8669/31-3103

e-mail: service.nc-pgm@heidenhain.de

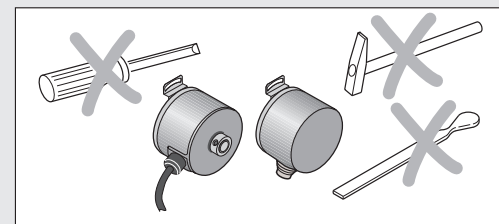
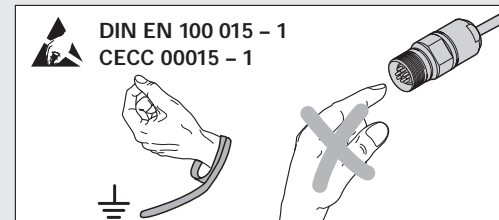
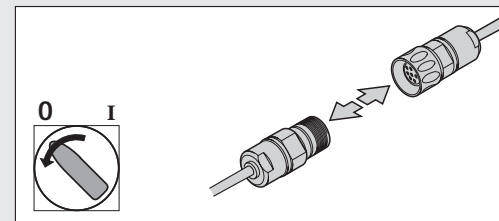
PLC programming ☎ +49/8669/31-3102

e-mail: service.plc@heidenhain.de

Lathe controls ☎ +49/711952803-0

e-mail: service.hsf@heidenhain.de

www.heidenhain.de



Ve 00

297 260-92 · 10 · 10/2002 · E · Printed in Germany · Änderungen vorbehalten

Subject to change without notice · Sous réserve de modifications · Con riserva di modifiche · Sujeto a modificaciones

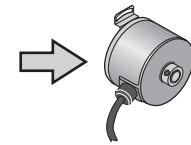
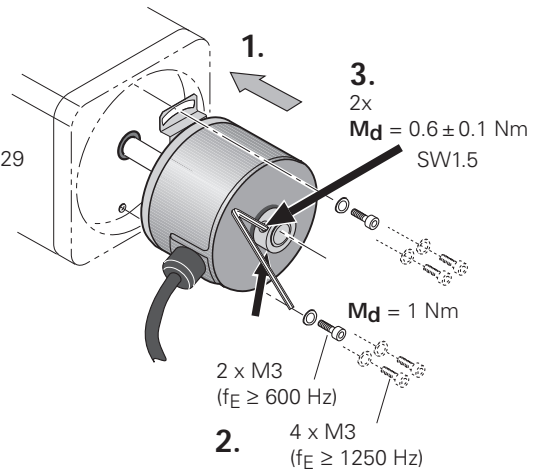
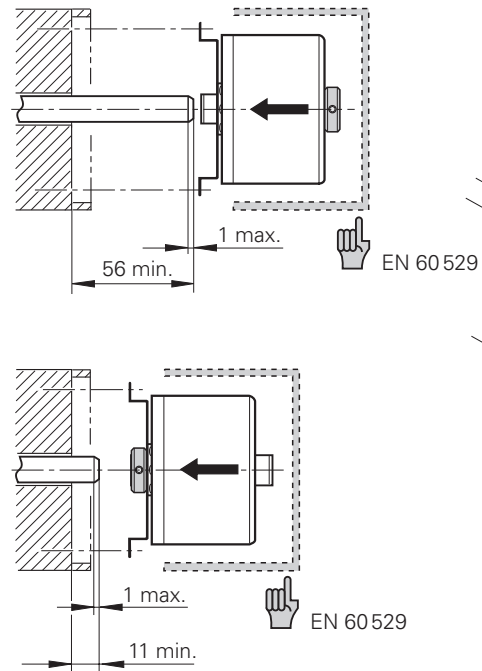
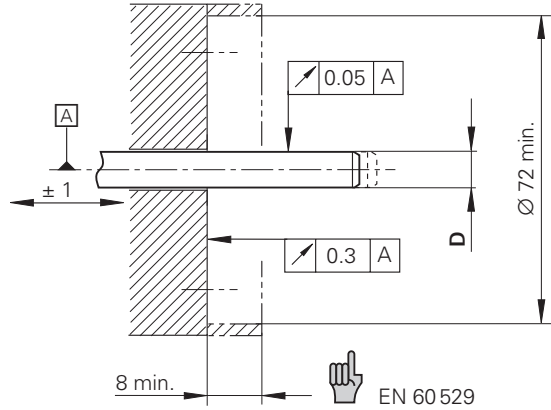
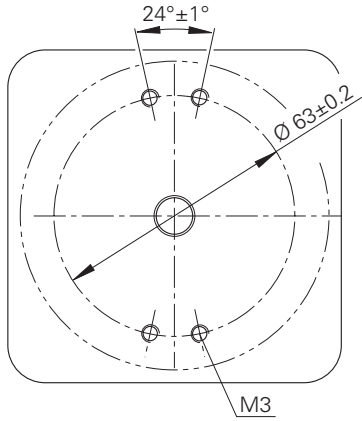


ERN 420

Maße in mm
Dimensions in mm
cotes en mm
dimensioni in mm
dimensiones en mm

A = Lagerung
Bearing
roulement
cuscinetto
rodamiento

D
Ø 8g7
Ø 10g7
Ø 12g7



$U_p = 5 V \pm 10\%$
(max. 150 mA)

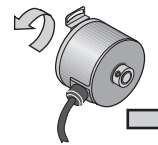
Hand icon: EN 50 178/4.98; 5.2.9.5
IEC 364-4-41: 1992; 411 (PELV/SELV)
(siehe, see, voir, vedi, véase
HEIDENHAIN D 231 929-01-A-01)

U_{as}: Störungssignal
Fault detection signal
signal de perturbation
segnale di malfunzionamento
señal de avería

U_{as} = High: ✓

U_{as} = Low: ⚠

TTL



U_{a1}, U_{a2}, U_{a0}
 $\overline{U_{a1}}, \overline{U_{a2}}, \overline{U_{a0}}$ $\overline{U_{aS}}$

