



HEIDENHAIN



Montageanleitung
Mounting Instructions
Instructions de montage
Istruzioni di montaggio
Instrucciones de montaje

ROD 780
ROD 780 C

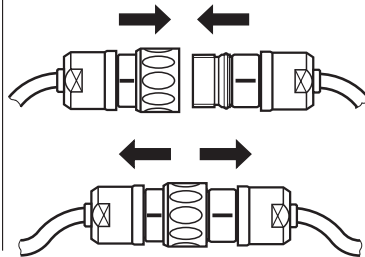
8/2001



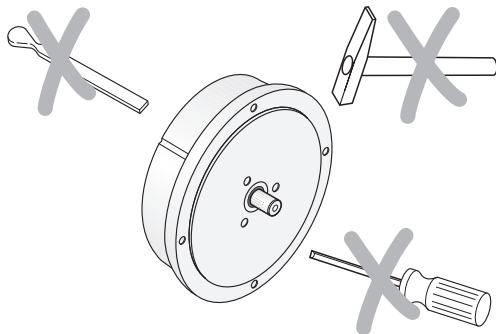
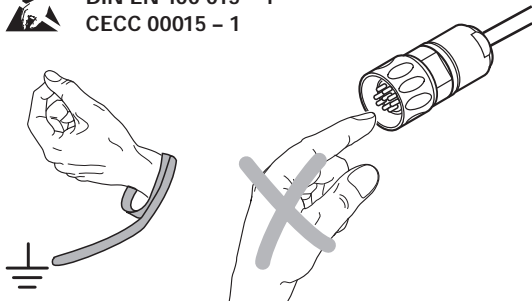
1.



2.



DIN EN 100 015 - 1
CECC 00015 - 1

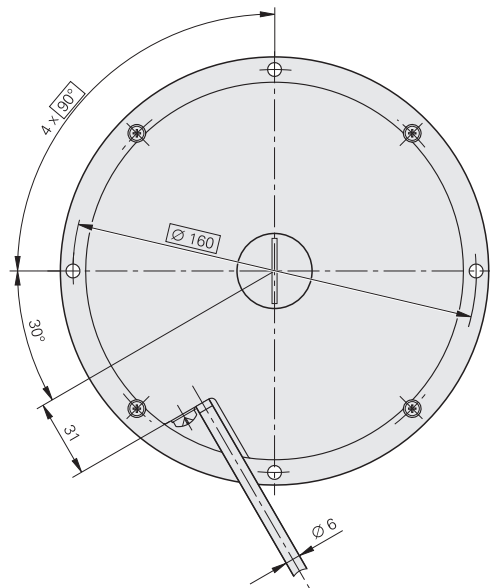


mm

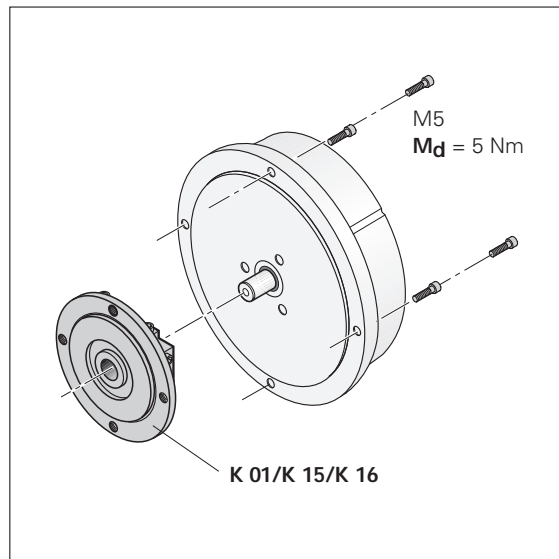


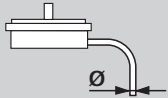
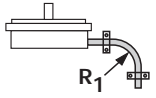
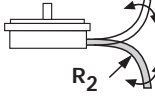

TOLERANCING ISO 8015

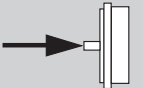

ISO 2768 - m H

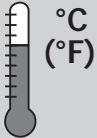
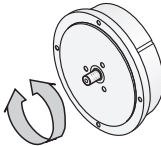
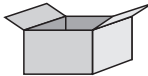



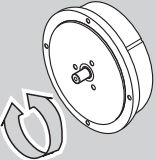
| | | | |
|--|--|--|--|
|  | K 01: $\lambda \leq 0.3 \text{ mm}$ | K 15: $\lambda \leq 0.3 \text{ mm}$ | K 16: $\lambda \leq 0.3 \text{ mm}$ |
|  | K 01: $\alpha \leq 0.5^\circ$ | K 15: $\alpha \leq 0.2^\circ$ | K 16: $\alpha \leq 0.5^\circ$ |
|  | K 01: $\delta \leq 0.2 \text{ mm}$ | K 15: $\delta \leq 0.1 \text{ mm}$ | K 16: $\delta \leq 1 \text{ mm}$ |

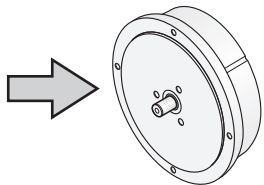


| | | |
|--|--|---|
|  |  |  $T \geq -10\text{ °C}$ (14 °F) |
| Ø 6 mm | $R_1 \geq 20\text{ mm}$ | $R_2 \geq 75\text{ mm}$ |
| Ø 8 mm  | $R_1 \geq 40\text{ mm}$ | $R_2 \geq 100\text{ mm}$ |

| | |
|---|------------------|
|  | max. 30 N |
|  | max. 30 N |

| | |
|---|--|
|  |  0 ... 50 °C (32 ... 122 °F) |
| |  -30 ... 80 °C (-22 ... 176 °F) |

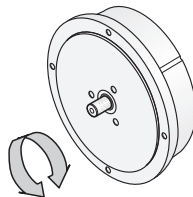
| | |
|---|---|
|  | IP 64 EN 60 529 |
|  | $M_d \leq 0.012\text{ Nm}$ (20 °C) $I = 0.36 \cdot 10^{-3}\text{ kgm}^2$ |



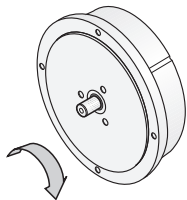
$U_P = 5\text{ V} \pm 10\%$
(max. 150 mA)



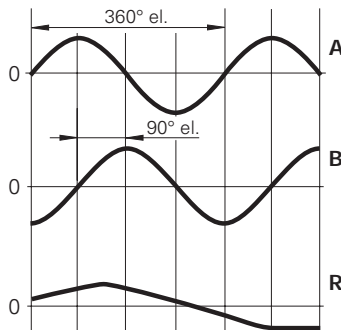
EN 50 178



$$n \leq \begin{cases} \frac{180}{18\,000} \cdot 10^3 \cdot 60 \text{ min}^{-1} (-3\text{dB}) = 600 \text{ min}^{-1} (-3\text{dB}) \\ 1\,000 \text{ min}^{-1} \end{cases}$$

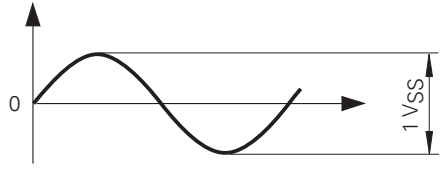


A, B, R

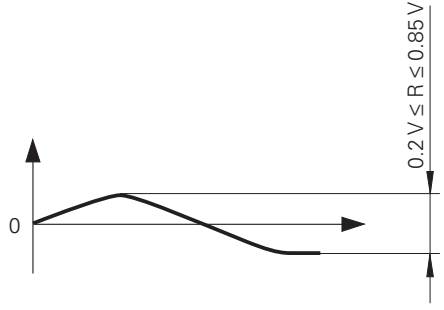


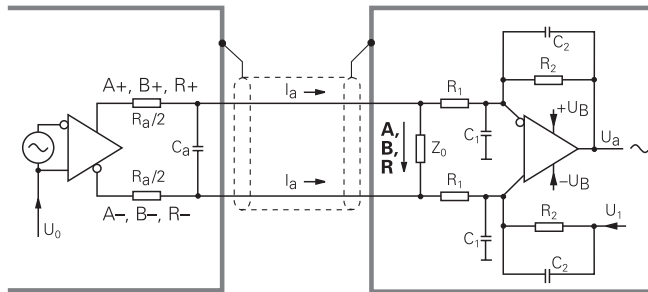
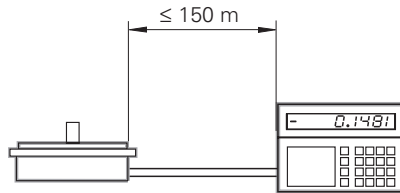
ROD 780: 1xR
ROD 780C: 36xR

A, B



R

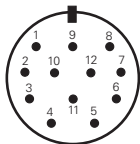
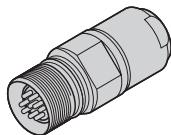




$R_a < 100 \Omega$
 $C_a < 50 \text{ pF}$
 $\Sigma I_a < 1 \text{ mA}$
 $U_0 = 2.5 \text{ V} \pm 0.5 \text{ V}$

$Z_0 = 120 \Omega$
 $U_1 \approx U_0$

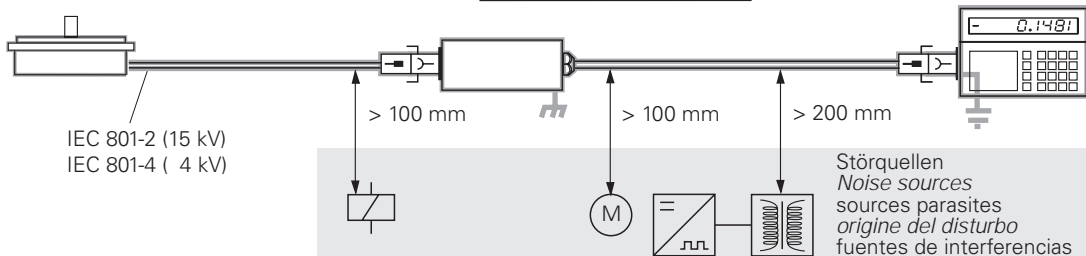
Id.-Nr. 291 698-03



Schirm auf Gehäuse
Shield on housing
 blindage sur boîtier
schermo sulla carcassa
 blindaje a carcasa

| 5 | 6 | 8 | 1 | 3 | 4 | 12 | 10 | 2 | 11 | 7 | / |
|---|---|--|--|--|---|---|--|---|--|---|---|
| A | | B | | R | | 5V Up | 0V U _N | 5V sensor | 0V sensor | / | / |
| + | - | + | - | + | - | | | | | | |
| braun <i>brown</i> brun <i>marrone</i> marrón | grün <i>green</i> vert <i>verde</i> verde | grau <i>gray</i> gris <i>grigio</i> gris | rosa <i>pink</i> rose <i>rosa</i> rosa | rot <i>red</i> rouge <i>rosso</i> rojo | schwarz <i>black</i> noir <i>nero</i> negro | braun/grün <i>brown/green</i> brun/vert <i>marrone/verde</i> marrón/verde | weiß/grün <i>white/green</i> blanc/vert <i>bianco/verde</i> blanco/verde | blau <i>blue</i> bleu <i>azzurro</i> azul | weiß <i>white</i> blanc <i>bianco</i> blanco | violett <i>violet</i> violet <i>viola</i> violeta | gelb <i>yellow</i> jaune <i>giallo</i> amarillo |

EN 50 178




HEIDENHAIN

DR. JOHANNES HEIDENHAIN GmbH


Dr.-Johannes-Heidenhain-Straße 5


83301 Traunreut, Germany

 +49/86 69/31-0

 +49/86 69/50 61

e-mail: info@heidenhain.de

 **Service** +49/86 69/31-12 72

 TNC-Service +49/86 69/31-14 46

 +49/86 69/98 99

e-mail: service@heidenhain.de

<http://www.heidenhain.de>

