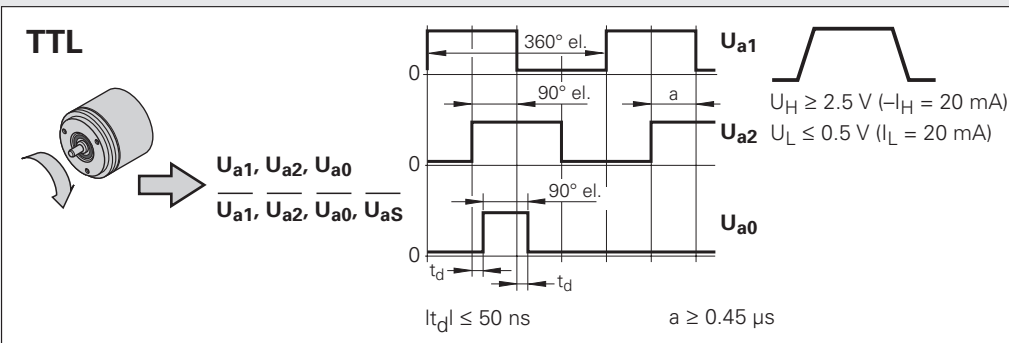
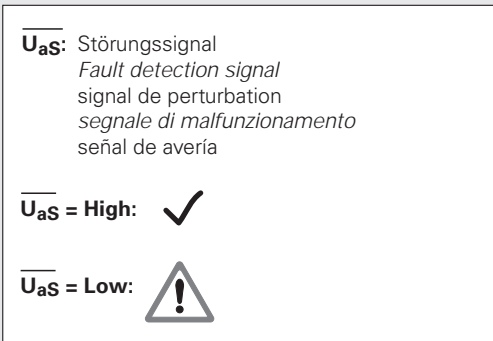
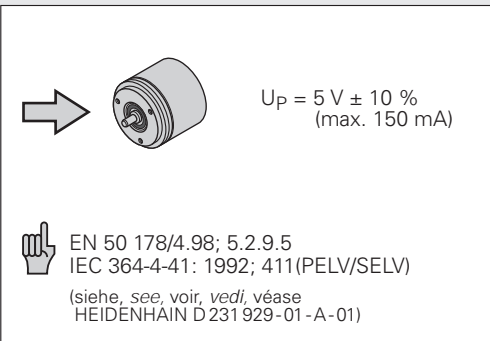
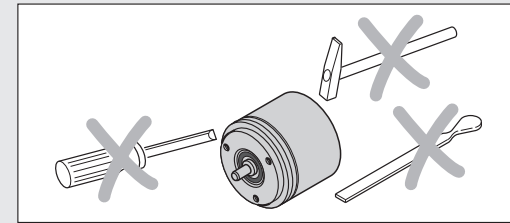
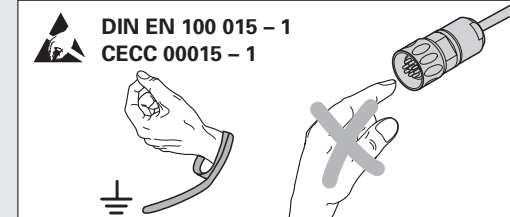
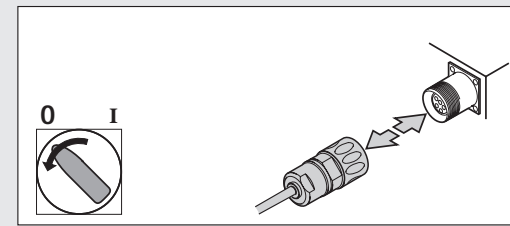


ROD 420 ROD 426

Montageanleitung Mounting Instructions Instructions de montage Istruzioni di montaggio Instrucciones de montaje

10/95



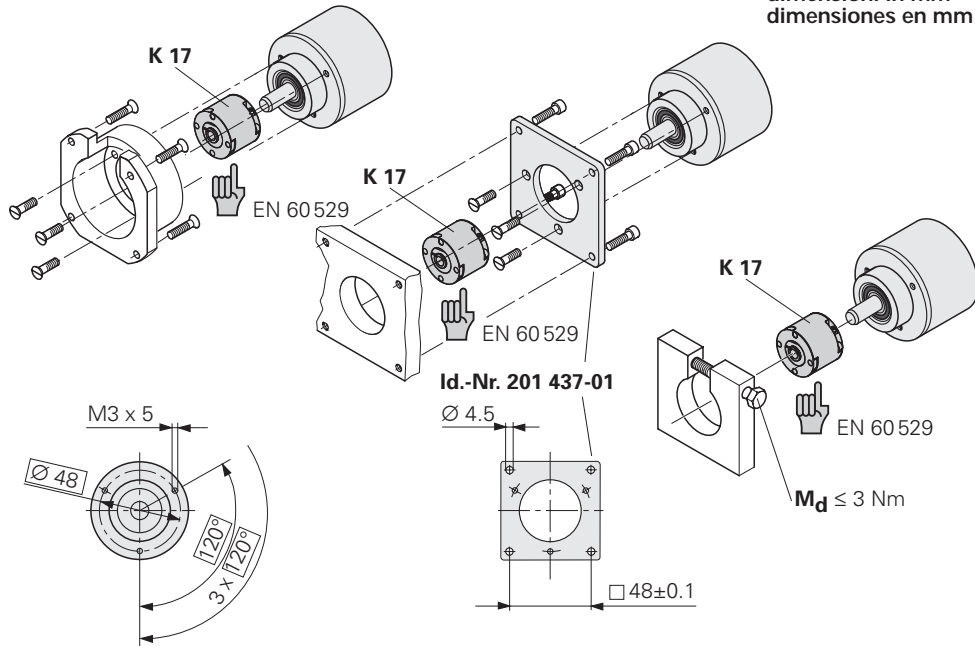
DR. JOHANNES HEIDENHAIN GmbH
Dr.-Johannes-Heidenhain-Straße 5
83301 Traunreut, Germany
☎ +49 (8669) 31-0
FAX +49 (8669) 5061
e-mail: info@heidenhain.de

Technical support FAX +49 (8669) 31-10 00
Measuring systems ☎ +49 (8669) 31-31 04
e-mail: service.ms-support@heidenhain.de
TNC support ☎ +49 (8669) 31-31 01
e-mail: service.nc-support@heidenhain.de
NC programming ☎ +49 (8669) 31-31 03
e-mail: service.nc-pgm@heidenhain.de
PLC programming ☎ +49 (8669) 31-31 02
e-mail: service.plc@heidenhain.de
Lathe controls ☎ +49/7 11 95 2803-0
e-mail: service.hsf@heidenhain.de

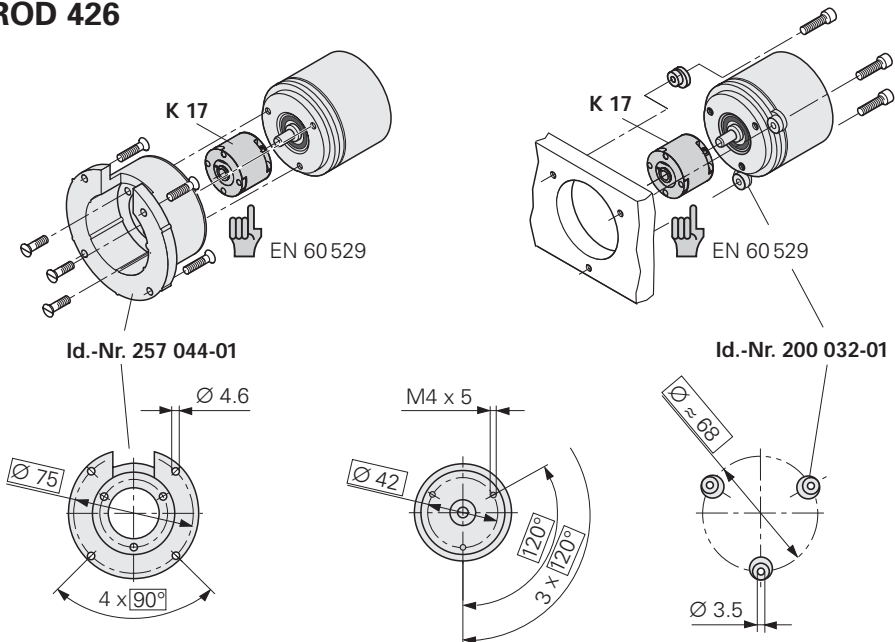
www.heidenhain.de

ROD 420

Maße in mm
Dimensions in mm
cotes en mm
dimensioni in mm
dimensiones en mm



ROD 426



	$T \geq -40\text{ °C}$ (-40 °F)	$T \geq -10\text{ °C}$ (14 °F)	IP 64 max. 40 N ($\leq 6\,000\text{ min}^{-1}$) max. 10 N ($\leq 12\,000\text{ min}^{-1}$)
$\text{Ø } 6\text{ mm}$	$R_1 \geq 20\text{ mm}$	$R_2 \geq 75\text{ mm}$	IP 66 max. 40 N ($\leq 6\,000\text{ min}^{-1}$) max. 10 N ($\leq 10\,000\text{ min}^{-1}$)
	$R_1 \geq 40\text{ mm}$	$R_2 \geq 100\text{ mm}$	IP 64 max. 60 N ($\leq 6\,000\text{ min}^{-1}$) max. 20 N ($\leq 12\,000\text{ min}^{-1}$)
$\text{Ø } 8\text{ mm}$			IP 66 max. 60 N ($\leq 6\,000\text{ min}^{-1}$) max. 20 N ($\leq 10\,000\text{ min}^{-1}$)

	°C (°F)		$-40 \dots 100\text{ °C}$ (-40 ... 212 °F)
			$-30 \dots 80\text{ °C}$ (-22 ... 176 °F)

K 17

Id.-Nr. 296 746-xx

