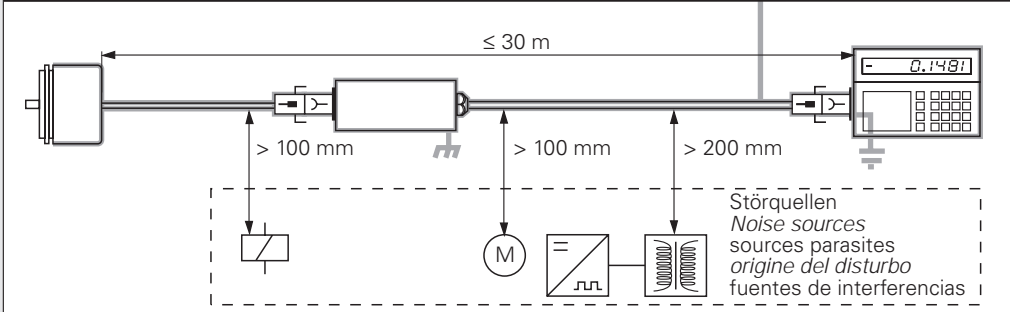


1) Innenschirm Pin 9
Internal shield pin 9
blindage interne pin 9
schermo interno pin 9
blindaje interno pin 9

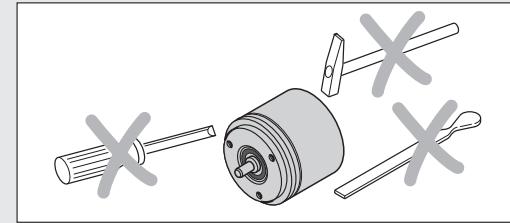
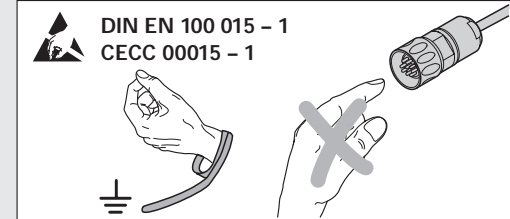
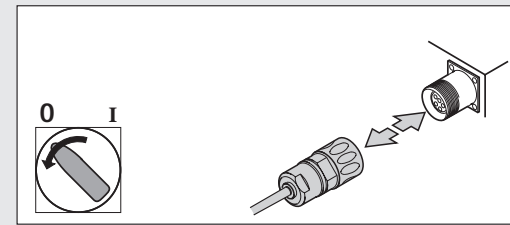
1	2	5	6	7	8	3	4	9
I ₁		I ₂		I ₀		5V U _P	0V U _N	Schirm Shield blindage schermo blindaje
+	-	+	-	+	-			1)
grün green vert verde verde	gelb yellow jaune giallo amarillo	blau blue bleu azzurro azul	rot red rouge rosso rojo	grau gray gris grigio gris	rosa pink rose rosa rosa	braun brown brun marrone marrón	weiß white blanc bianco blanco	weiß/braun white/brown blanc/brun bianco/marrone blanco/marrón



ROD 450 ROD 456

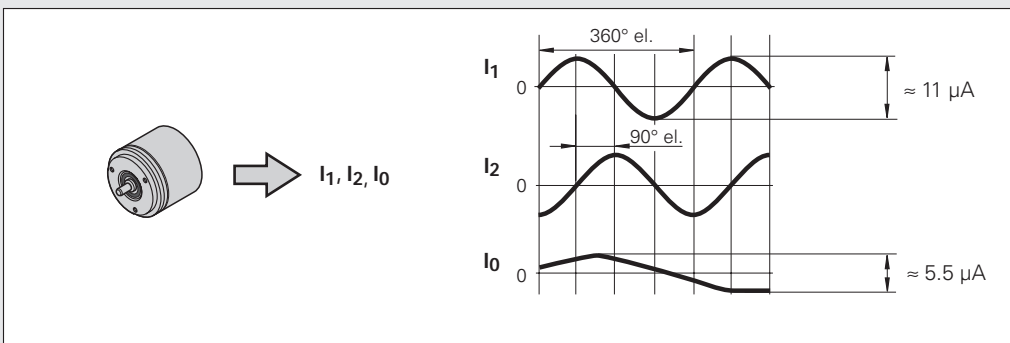
Montageanleitung Mounting Instructions Instructions de montage Istruzioni di montaggio Instrucciones de montaje

3/96



$U_p = 5V \pm 5\%$
(max. 85 mA)

EN 50 178/4.98; 5.2.9.5
IEC 364-4-41: 1992; 411(PELV/SELV)
(siehe, see, voir, vedi, véase
HEIDENHAIN D 231 929)



DR. JOHANNES HEIDENHAIN GmbH
Dr.-Johannes-Heidenhain-Straße 5
83301 Traunreut, Germany
☎ +49 (8669) 31-0
FAX +49 (8669) 5061
e-mail: info@heidenhain.de

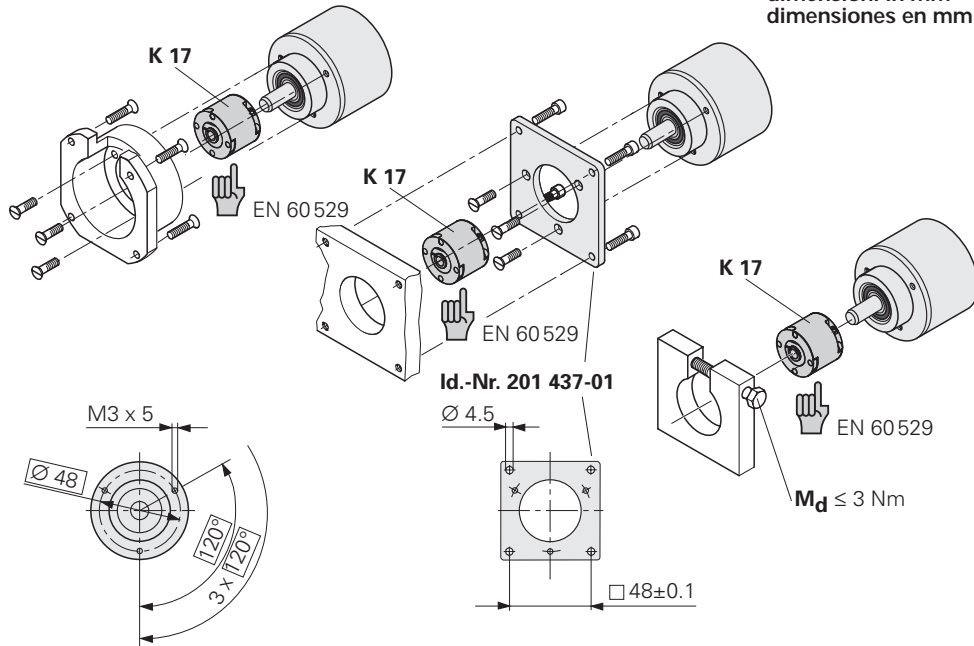
Technical support FAX +49 (8669) 31-1000
Measuring systems ☎ +49 (8669) 31-3104
e-mail: service.ms-support@heidenhain.de
TNC support ☎ +49 (8669) 31-3101
e-mail: service.nc-support@heidenhain.de
NC programming ☎ +49 (8669) 31-3103
e-mail: service.nc-pgm@heidenhain.de
PLC programming ☎ +49 (8669) 31-3102
e-mail: service.plc@heidenhain.de
Lathe controls ☎ +49 (7 11) 952803-0
e-mail: service.hsf@heidenhain.de

www.heidenhain.de

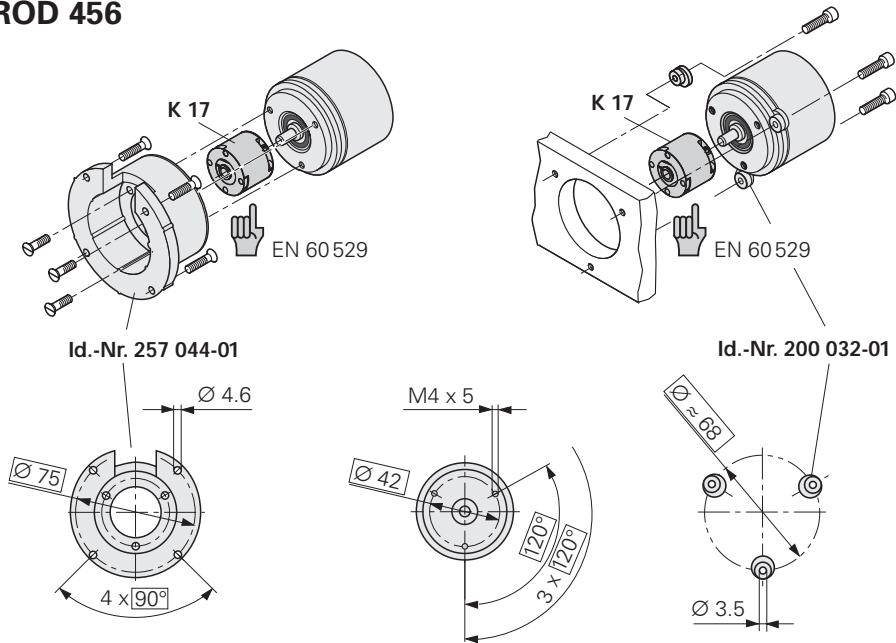


ROD 450

Maße in mm
Dimensions in mm
cotes en mm
dimensioni in mm
dimensiones en mm



ROD 456



$\varnothing 6 \text{ mm}$	$R_1 \geq 20 \text{ mm}$	$R_2 \geq 75 \text{ mm}$	IP 64 max. 40 N ($\leq 6\,000 \text{ min}^{-1}$) max. 10 N ($\leq 12\,000 \text{ min}^{-1}$)
$\varnothing 8 \text{ mm}$	$R_1 \geq 40 \text{ mm}$	$R_2 \geq 100 \text{ mm}$	IP 66 max. 10 N ($\leq 10\,000 \text{ min}^{-1}$)
			IP 64 max. 60 N ($\leq 6\,000 \text{ min}^{-1}$) max. 20 N ($\leq 12\,000 \text{ min}^{-1}$)
			IP 66 max. 20 N ($\leq 10\,000 \text{ min}^{-1}$)

	$^{\circ}\text{C}$ $(^{\circ}\text{F})$	
		$-30 \dots 80 \text{ }^{\circ}\text{C}$ $(-22 \dots 176 \text{ }^{\circ}\text{F})$

K 17

Id.-Nr. 296 746-xx

