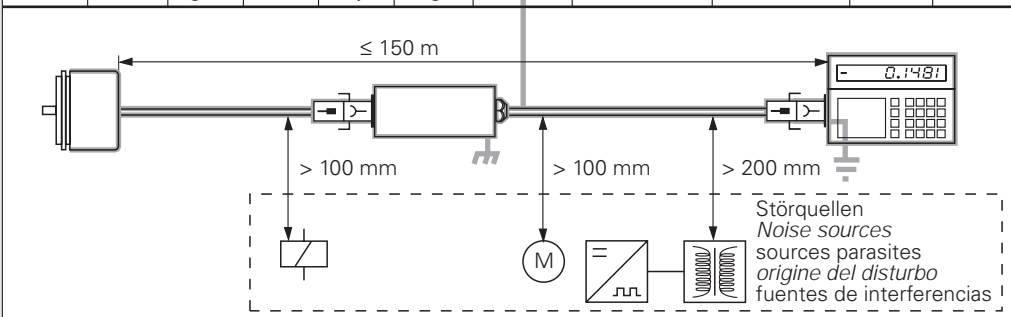


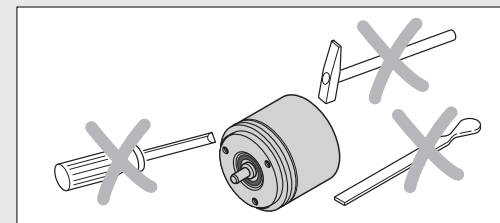
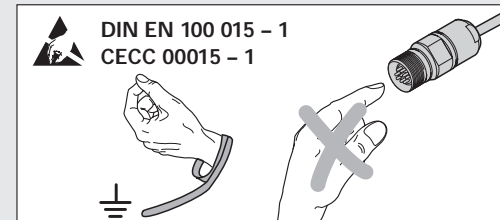
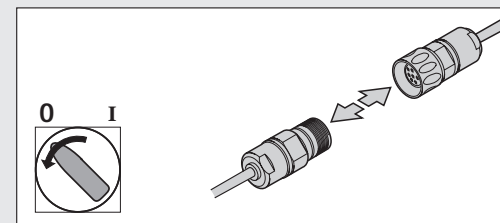
5	6	8	1	3	4	Schirm Shield blindage schermo blindaje	12	10	2	11
A		B		R			5V U _P	0V U _N	5V sensor	0V sensor
+	-	+	-	+	-		braun/grün brown/green brun/vert marrón/verde	weiß/grün white/green blanc/vert blanco/verde	blau blue bleu azzurro azul	weiß white blanc bianco blanco
braun brown brun marrón	grün green vert verde	grau gray gris grigio gris	rosa pink rose rosa rosa	rot red rouge rosso rojo	schwarz black noir nero negro					



ROD 480 ROD 486

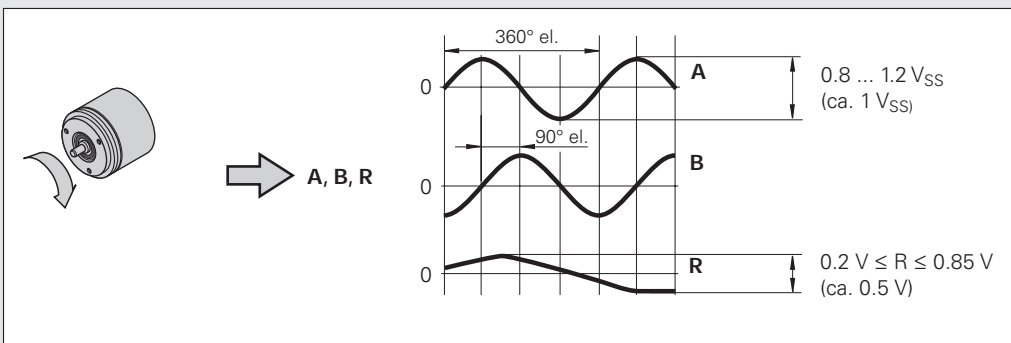
Montageanleitung Mounting Instructions Instructions de montage Istruzioni di montaggio Instrucciones de montaje

7/95



$U_p = 5V \pm 10\%$
(max. 150 mA)

EN 50 178/4.98; 5.2.9.5
IEC 364-4-41: 1992; 411(PELV/SELV)
(siehe, see, voir, vedi, véase
HEIDENHAIN D 231 929)



DR. JOHANNES HEIDENHAIN GmbH
Dr.-Johannes-Heidenhain-Straße 5
83301 Traunreut, Germany
☎ +49 (8669) 31-0
FAX +49 (8669) 5061
e-mail: info@heidenhain.de

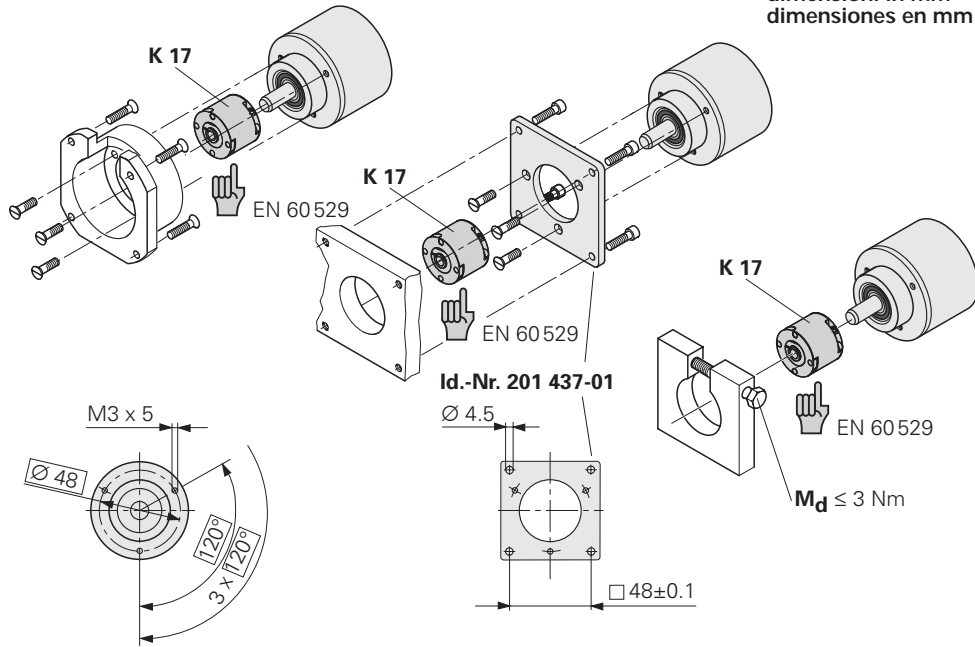
Technical support FAX +49 (8669) 31-1000
Measuring systems ☎ +49 (8669) 31-3104
e-mail: service.ms-support@heidenhain.de
TNC support ☎ +49 (8669) 31-3101
e-mail: service.nc-support@heidenhain.de
NC programming ☎ +49 (8669) 31-3103
e-mail: service.nc-pgm@heidenhain.de
PLC programming ☎ +49 (8669) 31-3102
e-mail: service.plc@heidenhain.de
Lathe controls ☎ +49 (7 11) 952803-0
e-mail: service.hsf@heidenhain.de

www.heidenhain.de

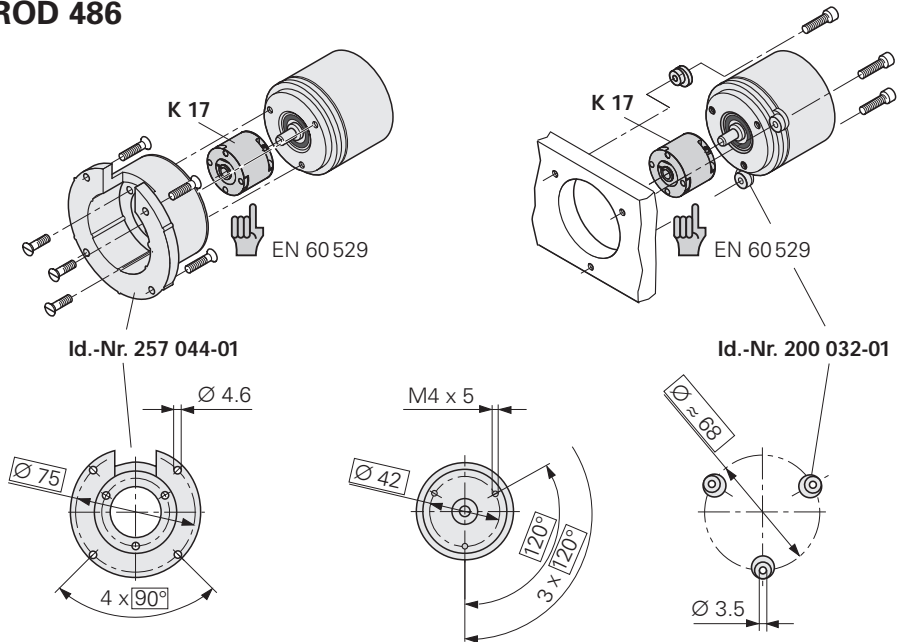


ROD 480

Maße in mm
Dimensions in mm
dimensioni in mm
dimensiones en mm



ROD 486



$\text{Ø } 6 \text{ mm}$	$T \geq -40 \text{ °C}$ (-40 °F)	$T \geq -10 \text{ °C}$ (14 °F)	IP 64 max. 40 N ($\leq 6\,000 \text{ min}^{-1}$) max. 10 N ($\leq 12\,000 \text{ min}^{-1}$)
$\text{Ø } 8 \text{ mm}$	$R_1 \geq 20 \text{ mm}$	$R_2 \geq 75 \text{ mm}$	IP 66 max. 10 N ($\leq 10\,000 \text{ min}^{-1}$)
	$R_1 \geq 40 \text{ mm}$	$R_2 \geq 100 \text{ mm}$	IP 64 max. 60 N ($\leq 6\,000 \text{ min}^{-1}$) max. 20 N ($\leq 12\,000 \text{ min}^{-1}$)
			IP 66 max. 20 N ($\leq 10\,000 \text{ min}^{-1}$)

	°C (°F)		$-30 \dots 80 \text{ °C}$ (-22 ... 176 °F)
--	--------------------------	--	---

K 17

Id.-Nr. 296 746-xx

