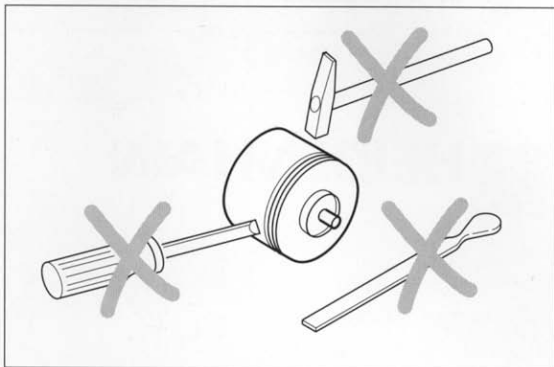
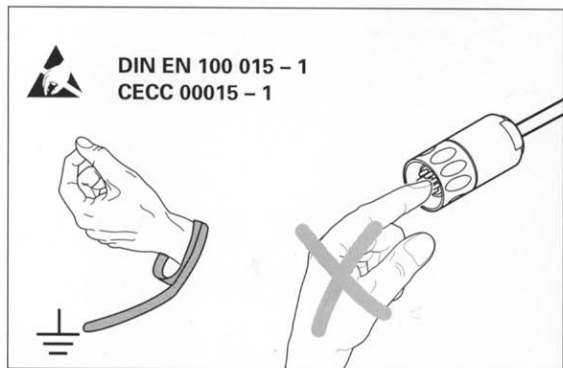
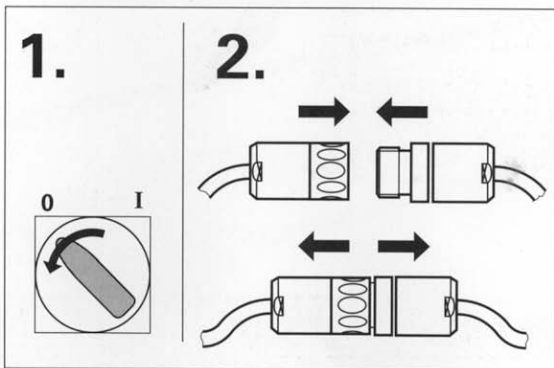


HEIDENHAIN


Montageanleitung
Mounting Instructions
Instructions de montage
Istruzioni di montaggio
Instrucciones de montaje

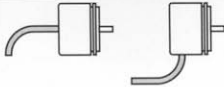
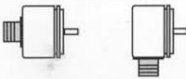
9/94

ROD 420.xxx0
ROD 420.xxxA
ROD 426.xxx0
ROD 426.xxxA




ROD 420.xxx0
ROD 420.xxxA
ROD 426.xxx0
ROD 426.xxxA

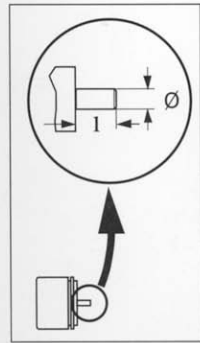
 IEC 529 EN 60 529	0	IP 64
	1	IP 50
	2	IP 66

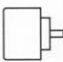
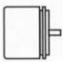
00	
01	

0	$f = 160 \text{ kHz}$ $(T_{\text{max}} = 70^{\circ}\text{C}$ $178^{\circ}\text{F})$
A	$f = 160 \text{ kHz}$ $(T_{\text{max}} = 100^{\circ}\text{C}$ $212^{\circ}\text{F})$

R O D 4 2 6 . 1 0 0 0 - 0 3 6 0 0



2	 TTL ($U_p = +5 \text{ V}$)
----------	---

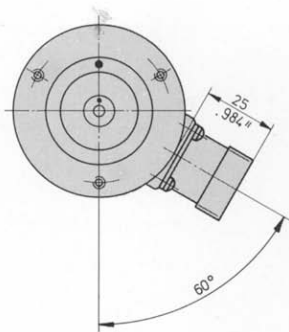
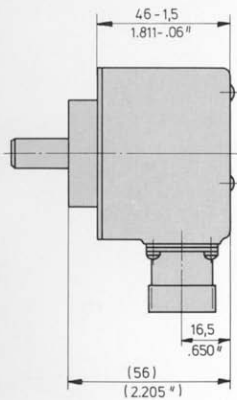
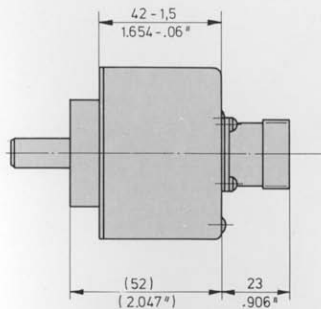


0	 $\varnothing = 10 \text{ mm}$ $l = 19.5 \text{ mm}$
6	 $\varnothing = 6 \text{ mm}$ $l = 10 \text{ mm}$

z
Strichzahl <i>line count</i> nombre de traits <i>numero di impulsi</i> número de impulsos

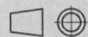
ROD 420.x010

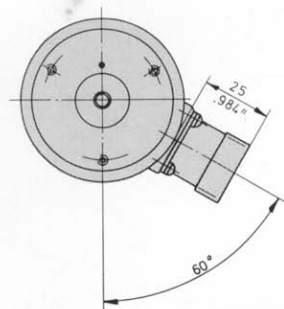
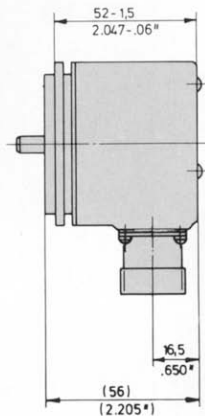
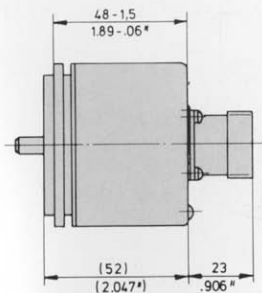
  mm/inches



ROD 426.x010

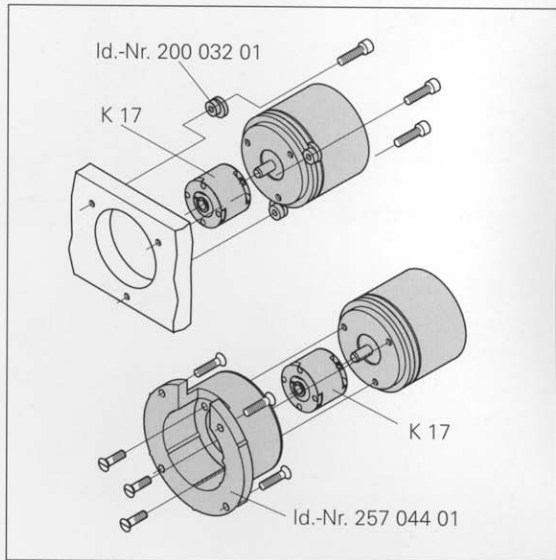
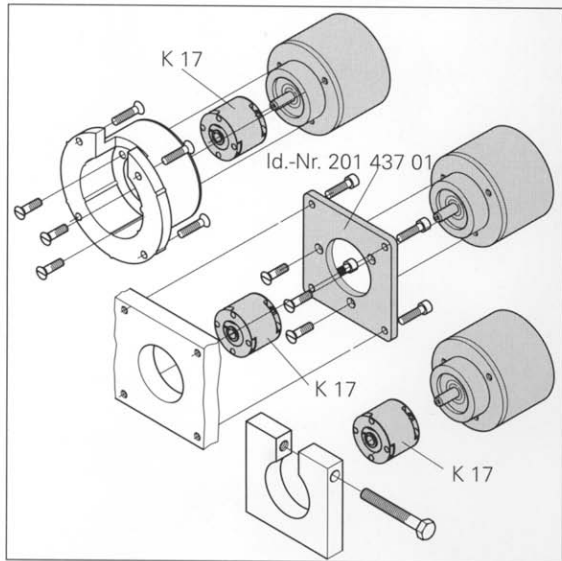
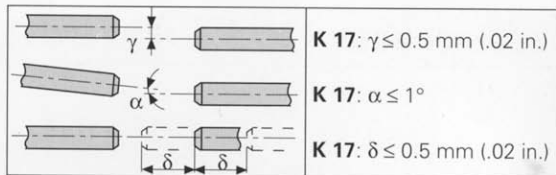
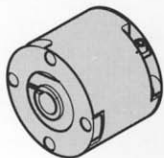
ROD 426.x01A

 mm/inches





K 17
Id.-Nr. 226 525 ..



Ø 6 mm (.236 in.)	$R_1 \geq 20 \text{ mm}$ (.8 in.)	$R_2 \geq 75 \text{ mm}$ (3 in.)
Ø 8 mm (.315 in.)	$R_1 \geq 40 \text{ mm}$ (1.6 in.)	$R_2 \geq 100 \text{ mm}$ (4 in.)

	ROD 420: max. 40 N ($\leq 6\,000 \text{ min}^{-1}$)
	ROD 420: max. 60 N ($\leq 6\,000 \text{ min}^{-1}$)

		ROD 42x.xxx0: 0° ... 70° C (32° ... 158° F) ROD 42x.xxxA: -30° ... 100° C (-22° ... 212° F)
		ROD 42x.xxx0: -30° ... 80° C (-22° ... 176° F) ROD 42x.xxxA: -40° ... 100° C (-40° ... 212° F)

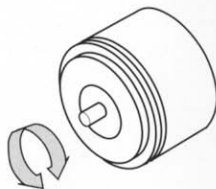
	ROD 426: max. 10 N ($\leq 12\,000 \text{ min}^{-1}$) ROD 426.2xxx: max. 10 N ($\leq 10\,000 \text{ min}^{-1}$)
	ROD 426: max. 20 N ($\leq 12\,000 \text{ min}^{-1}$) ROD 426.2xxx: max. 20 N ($\leq 10\,000 \text{ min}^{-1}$)



$$U_P = +5\text{ V} \pm 5\% \\ (\text{max. } 150\text{ mA})$$



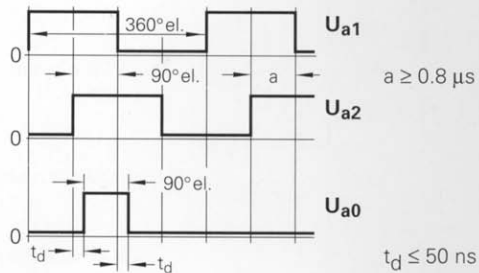
IEC 742
DIN VDE 0100

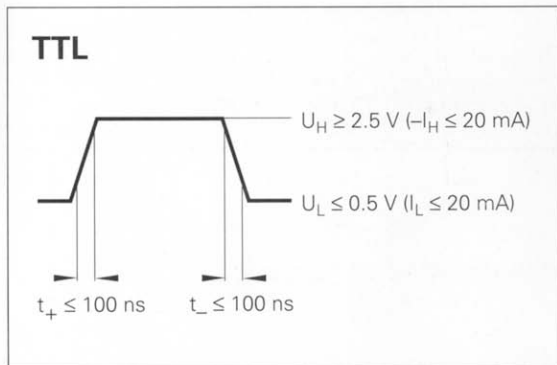
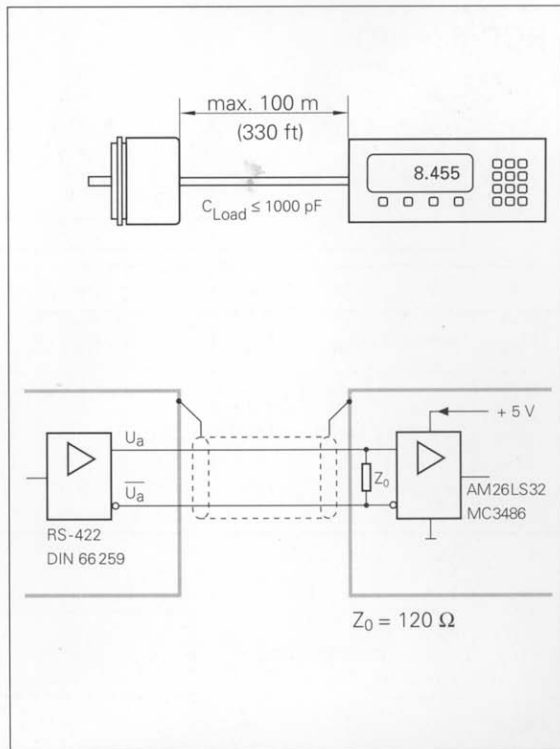
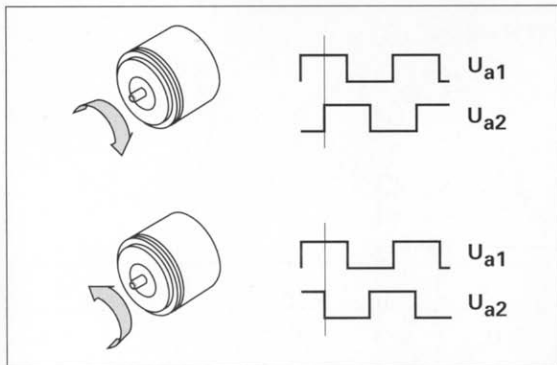


$$n \leq \begin{cases} \frac{160}{z} \cdot 10^3 \cdot 60 \text{ min}^{-1} \\ 6\,000 \text{ min}^{-1} \text{ (ROD 420)} \\ 12\,000 \text{ min}^{-1} \text{ (ROD 426)} \\ 10\,000 \text{ min}^{-1} \text{ (ROD 426.2xxx)} \end{cases}$$

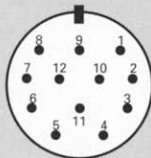
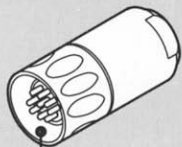


$$U_{a1}, U_{a2}, U_{a0} \\ \overline{U_{a1}}, \overline{U_{a2}}, \overline{U_{a0}}$$

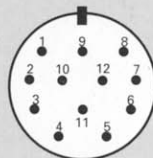
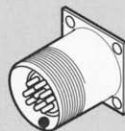




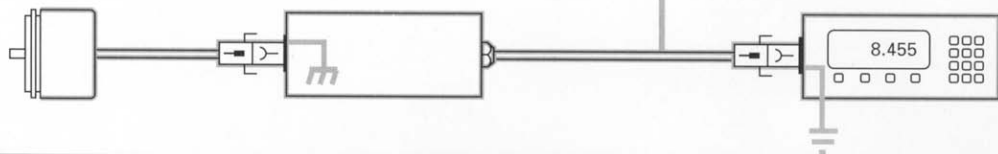
ROD 42x.x00x

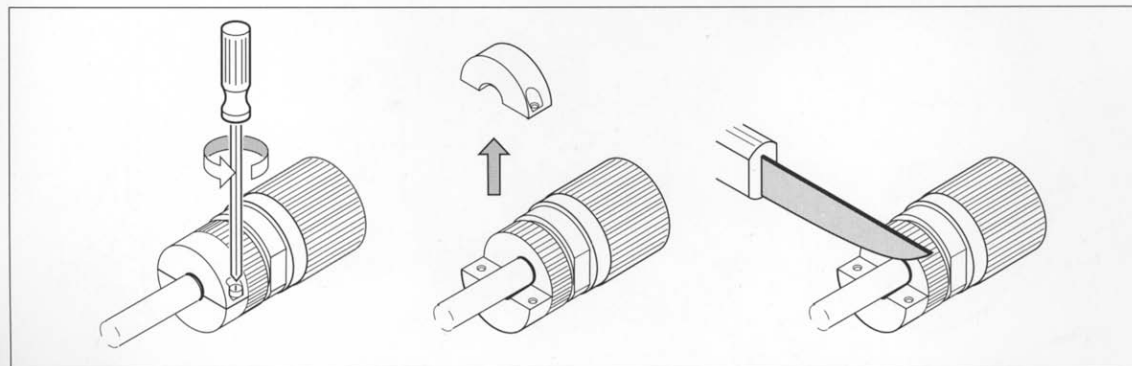
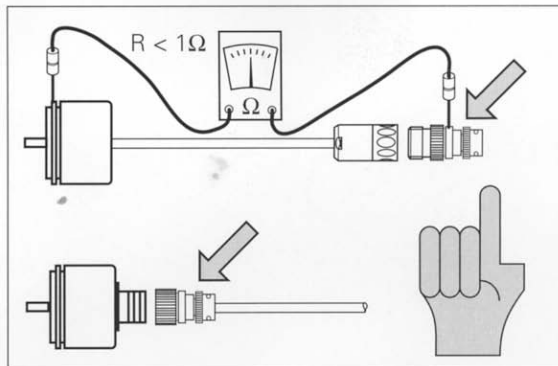
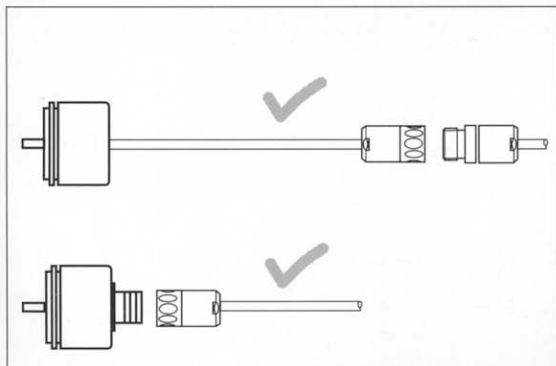


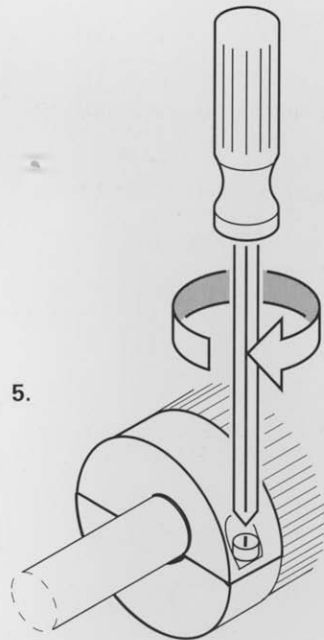
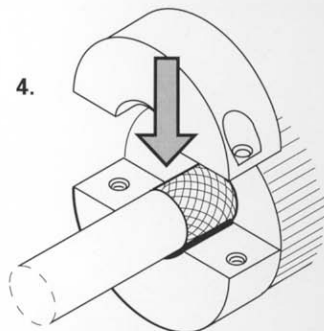
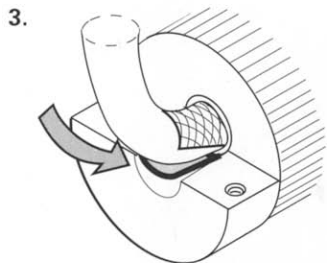
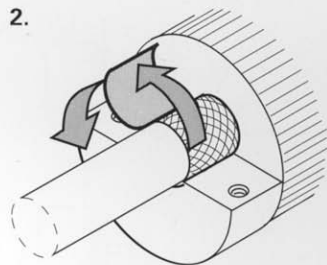
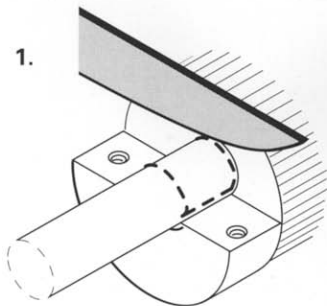
ROD 42x.x01x



1	2	3	4	5	6	7	8		10	11	12
$\overline{U_{a2}}$	sensor 5 V	U_{a0}	$\overline{U_{a0}}$	U_{a1}	$\overline{U_{a1}}$	-	U_{a2}	● ●	0 V	sensor 0 V	+ 5 V
rosa pink rose rosa rosa	blau blue bleu azzurro azul	rot red rouge rosso rojo	schwarz black noir nero negro	braun brown brun marrone marrón	grün green vert verde verde	violett violet violet viola violeta	grau gray gris grigio gris	Schirm shield blindage schermo blindaje	weiß/grün white/green blanc/vert bianco/verde blanco/verde	weiß white blanc bianco blanco	braun/grün brown/green brun/vert marrone/verde marrón/verde









HEIDENHAIN

DR. JOHANNES HEIDENHAIN GmbH

Dr.-Johannes-Heidenhain-Straße 5
D-83301 Traunreut, Deutschland

☎ (086 69) 31-0

FAX (086 69) 50 61

☎ Service (086 69) 31-12 72

☎ TNC-Service (086 69) 31-14 46

FAX (086 69) 98 99



HEIDENHAIN

DR. JOHANNES HEIDENHAIN GmbH

Dr.-Johannes-Heidenhain-Straße 5
D-83301 Traunreut, Deutschland

☎ (086 69) 31-0

FAX (086 69) 50 61

☎ Service (086 69) 31-12 72

☎ TNC-Service (086 69) 31-14 46

FAX (086 69) 98 99
