



HEIDENHAIN



Montageanleitung
Mounting Instructions
Instructions de montage
Istruzioni di montaggio
Instrucciones de montaje

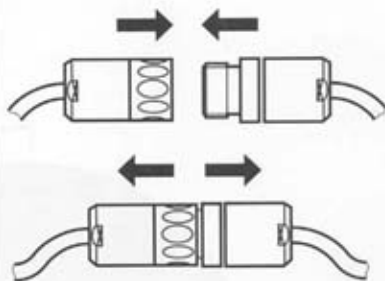
ROD 700
ROD 700 C



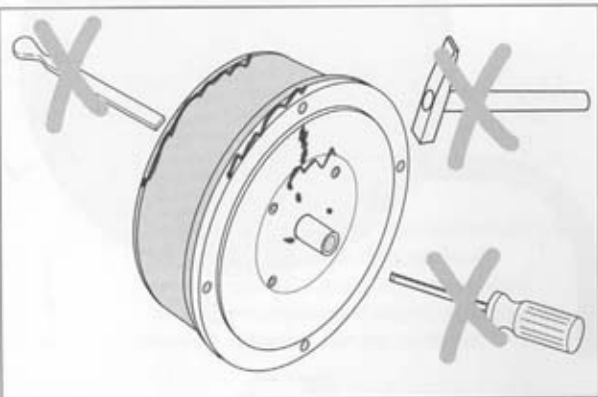
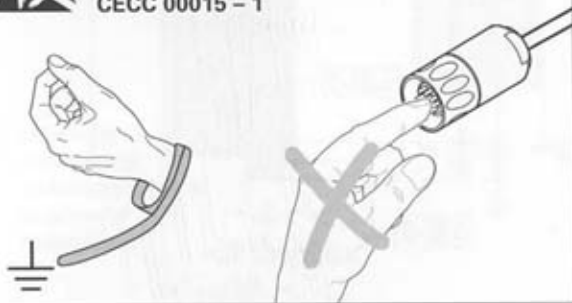
1.

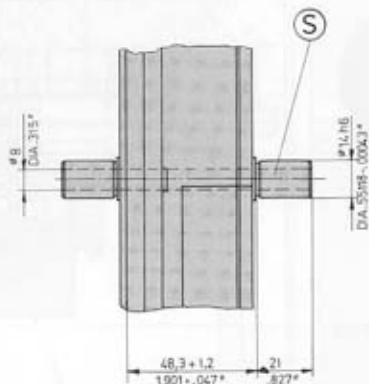


2.




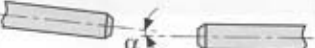
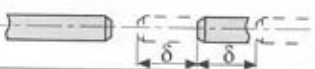
DIN EN 100 015 - 1
CECC 00015 - 1

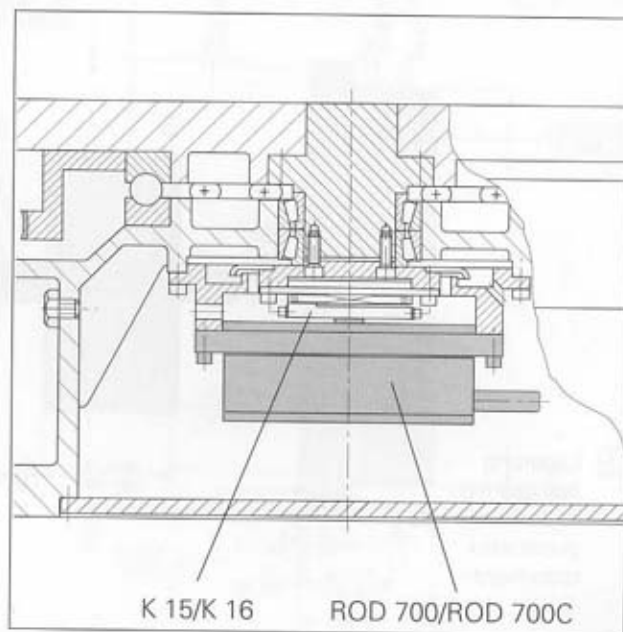


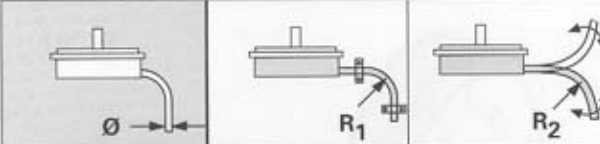


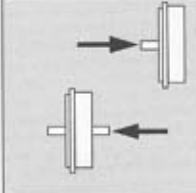
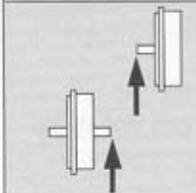
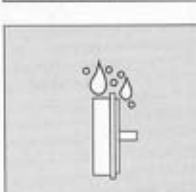
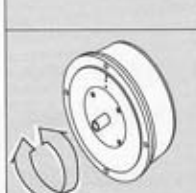
- A** Lagerung
ball bearing
 roulement à billes
cuscinetto
 rodamiento


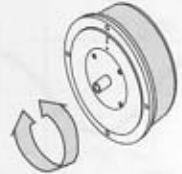
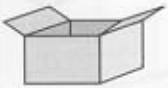
- S** Sonderausführung mit durchgehender Welle
special version with through shaft
 version spéciale avec arbre traversant
 versione speciale con albero passante
 versión especial con eje pasante

	K 01: $\gamma \leq 0.3 \text{ mm}$ (.012 in.)	K 15: $\gamma \leq 0.3 \text{ mm}$ (.012 in.)	K 16: $\gamma \leq 0.3 \text{ mm}$ (.012 in.)
	K 01: $\alpha \leq 0.5^\circ$	K 15: $\alpha \leq 0.2^\circ$	K 16: $\alpha \leq 0.5^\circ$
	K 01: $\delta \leq 0.2 \text{ mm}$ (.008 in.)	K 15: $\delta \leq 0.1 \text{ mm}$ (.004 in.)	K 16: $\delta \leq 1 \text{ mm}$ (.04 in.)



		
Ø 6 mm (.236 in.)	$R_1 \geq 20 \text{ mm}$ (.8 in.)	$R_2 \geq 75 \text{ mm}$ (3 in.)
Ø 8 mm (.315 in.)	$R_1 \geq 40 \text{ mm}$ (1.6 in.)	$R_2 \geq 100 \text{ mm}$ (4 in.)

	max. 30 N
	max. 30 N
	max. 30 N
	max. 15 N

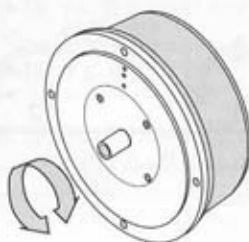
 °C (°F)	 0° ... 50° C (32° ... 122° F)
	 -30° ... 80° C (-22° ... 176° F)

	IP 64 IEC 529 EN 60 529
	M_d ≤ 0.019 Nm (20°C) I = 366 · 10 ⁻⁶ kgm ²

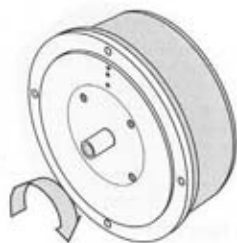


$U_p = +5 V \pm 5 \%$
(max. 90 mA)

 IEC 742
DIN VDE 0100



$$n \leq \begin{cases} \frac{90}{z} \cdot 10^3 \cdot 60 \text{ min}^{-1} (-3 \text{ dB}) \\ 1\,000 \text{ min}^{-1} \end{cases}$$

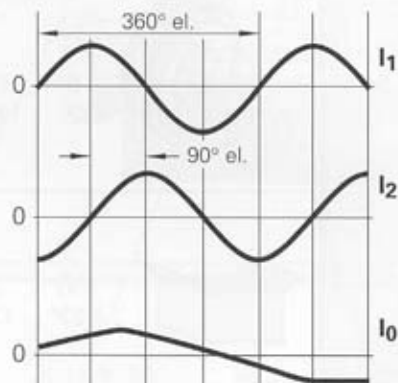


$I_1 \cdot I_2 \cdot I_0$

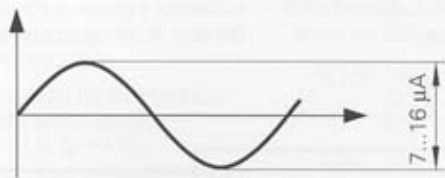
ROD 700 1 x I_0 /360° mech.

ROD 700C 36 x I_0 /360° mech.
(9 000/18 000)

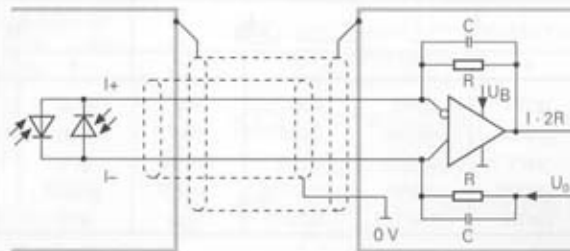
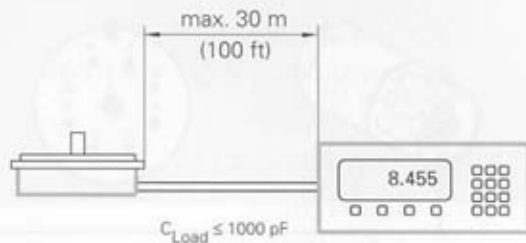
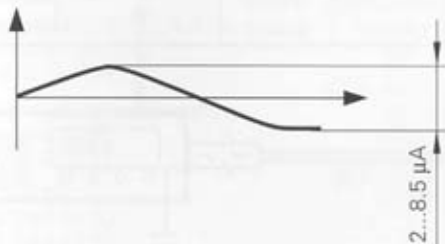
ROD 700C 72 x I_0 /360° mech.
(36 000)



I_1, I_2



I_0



RC 4157

$C = 27 \text{ pF}$

$R = 100 \text{ k}\Omega \pm 2\%$

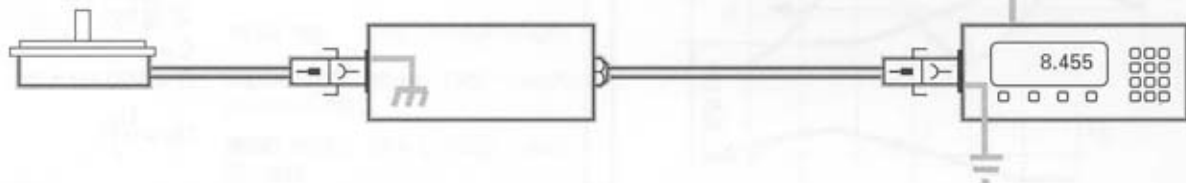
$$U_0 = \frac{U_B}{2}$$



1) Innenschirm Pin 9
internal shield pin 9
 blindage interne pin 9
schermo interno pin 9
 blindaje interno pin 9

Außenschirm Gehäuse
external shield on housing
 blindage externe sur boîtier
schermo esterno sulla carcassa
 blindaje externo a carcasa

1	2	5	6	7	8	3	4	1)	9
I_1		I_2		I_0		5 V	0 V	● Schirm shield blindage schermo blindaje	1)
+	-	+	-	+	-				
grün <i>green</i> vert <i>verde</i> verde	gelb <i>yellow</i> jaune <i>giallo</i> amarillo	blau <i>blue</i> bleu <i>azzurro</i> azul	rot <i>red</i> rouge <i>rosso</i> rojo	grau <i>gray</i> gris <i>grigio</i> gris	rosa <i>pink</i> rose <i>rosa</i> rosa	braun <i>brown</i> brun <i>marrone</i> marrón	weiß <i>white</i> blanc <i>bianco</i> blanco		weiß/braun <i>white/brown</i> blanc/brun <i>bianco/marrone</i> blanco/marrón



- B** HEIDENHAIN NV/SA
☎ (053) 672570
FAX (053) 670165
- BR** DIADUR
Indústria e Comércio Ltda.
☎ (011) 523-6777
FAX (011) 5231411
- CDN** HEIDENHAIN CORPORATION
☎ (905) 670-8900
FAX (905) 670-4426
- CH** HEIDENHAIN (SCHWEIZ) AG
☎ (01) 8250440
FAX (01) 8253346
- CZ** HEIDENHAIN s.r.o.
☎ (02) 756268
FAX (02) 757155
- SR**
- DK** TP TEKNIK A/S
☎ (38) 330966
FAX (38) 330165
- E** FARRISA ELECTRONICA S. A.
☎ (94) 4413649
FAX (94) 4423540
- F** HEIDENHAIN FRANCE sarl
☎ (1) 41143000
FAX (1) 41143030
- FIN** NC-POINT OY
☎ (0) 2944400
FAX (0) 2944300
- GB** HEIDENHAIN (G.B.) Limited
☎ (01444) 247711
FAX (01444) 870024
- GR** D. PANAYOTIDIS - J. TSATSIS S.A.
☎ (01) 4810817
FAX (01) 4829673
- H** HEIDENHAIN
☎ (1) 1202213
FAX (1) 1202213
- HK** HEIDENHAIN LTD
☎ (852) 27591920
FAX (852) 27591961
- I** HEIDENHAIN ITALIANA srl
☎ (02) 48300241 ... 45
FAX (02) 47710730
- IL** NEUMO VARGUS
☎ (3) 5373275
FAX (3) 5372190
- IND** ASHOK & LAL
☎ (044) 6267289
FAX (044) 618224
- J** HEIDENHAIN K.K.
☎ (03) 3234-7781
FAX (03) 3262-2539
- MEX** HEIDENHAIN MEXICO S.L.
☎ FAX (491) 43738
- NL** HEIDENHAIN NEDERLAND B.V.
☎ (08385) 40300
FAX (08385) 17287
- N** KASPO MASKIN AS
☎ (073) 919100
FAX (073) 913377
- P** FARRISA ELECTRONICA LTDA
☎ (2) 318440
FAX (2) 318044
- RC** HEIDENHAIN Co. Ltd.
☎ (04) 329-5190
FAX (04) 320-7315
- ROK** SEO CHANG CORPORATION L
☎ (02) 7808208
FAX (02) 7845408
- S** HEIDENHAIN AB
☎ (08) 53193350
FAX (08) 53193377
- SGP** HEIDENHAIN PACIFIC PTE LTD
☎ 7493238
FAX 7493922
- TR** ORSEL LTD.
☎ (216) 3478395
FAX (216) 3478393
- USA** HEIDENHAIN CORPORATION
☎ (708) 490-1191
FAX (708) 490-3931



HEIDENHAIN

DR. JOHANNES HEIDENHAIN GmbH

Dr.-Johannes-Heidenhain-Straße 5

D-83301 Traunreut, Deutschland

☎ (086 69) 31-0

FAX (086 69) 50 61

☎ Service (086 69) 31-12 72

☎ TNC-Service (086 69) 31-14 46

FAX (086 69) 98 99

