

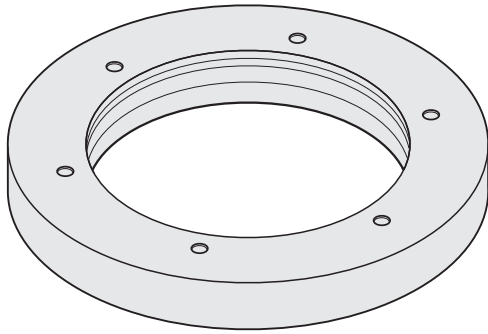


1376511-20

Operating Instructions (Authorized Documentation)

TTR ERM 2203,
TTR ERM 2203C

English (en)
04/2022



This document is provided in multiple languages and available by QR code or at:

www.heidenhain.com/documentation



1376511

Search

EN	DE	FR	IT	ES	SV	NL	DA	FI	CS
BG	ET	EL	HU	JA	KO	LV	TR	NO	PL
PT	RU	SL	RO	SK	LT	HR	zh-CN	zh-TW	

1 Fundamentals

1.1 About these instructions

These Instructions contain all the information and safety precautions needed for the proper operation of the product according to its intended use.



Further information is available in specific documents, depending on the life-cycle phase of the product and on the target group for the activity.

Further information: "Information based on the document type, the life-cycle phase of the product, and the target group", Page 2

1.2 Notes on reading this document

! WARNING

Fatal accidents, personal injury or property damage caused by non-compliance with the documentation!

Failure to comply with the documentation may result in fatal accidents, personal injury or property damage.

- ▶ Read the documentation carefully from beginning to end
- ▶ Keep the documentation for future reference

2 Safety

2.1 Intended use

The products of this/these series are encoders for position measurement.

The products are intended for use in research facilities, commercial applications, and in an industrial environment.

The products must be used only in accordance with the information based on the life-cycle phase of the product and on the target group.

Further information: "Information based on the document type, the life-cycle phase of the product, and the target group", Page 2

2.2 Improper use

Any use not specified in "Intended use" is considered improper use. The company operating the device is solely liable for any damage resulting from improper use.

2.3 Obligations of the operating company

The company operating the product must provide the personnel with the most current version of all documentation on the product.

2.4 General safety precautions



Mounting and initial configuration must be conducted by a qualified specialist in compliance with local safety regulations.



Encoders and encoder accessories may only be repaired by trained HEIDENHAIN technicians.

! WARNING

Fatal accidents, personal injury, or property damage when engaging or disengaging live connecting elements

Engaging or disengaging connecting elements while the system is under power may result in fatal accidents, personal injury, or property damage.

- ▶ Do not engage or disengage any connecting elements while the product is under power.



Encoders and encoder accessories that have contributed to the failure of a safety function in the application must be returned to HEIDENHAIN Traunreut.

3 Information based on the document type, the life-cycle phase of the product, and the target group



The following documents must be read and observed by the stated target groups before mounting, initial configuration, or disposal of the encoder.



Freely available documents are available at www.heidenhain.com/documentation.
Further documents are available upon [Request](#).

Document	Document ID	Life-cycle phase of the product/ Contents	Installation technician	Designer	Control manufacturer
Operating Instructions Operating Instructions TTR ERM 2203, TTR ERM 2203C	1376511	<ul style="list-style-type: none"> ■ Operation of the unit 	✓	✓	✓
Mounting Instructions Mounting Instructions TTR ERM 2203, TTR ERM 2203C	1304564	<ul style="list-style-type: none"> ■ Mounting the product 	✓	✓	
Brochure Interfaces of HEIDENHAIN Encoders	1078628	<ul style="list-style-type: none"> ■ Interfaces and measuring methods ■ Electrical connection ■ Interface electronics 			✓
Brochure Cables and Connectors	1206103	<ul style="list-style-type: none"> ■ Cables and connectors for signal transmission between the position measuring system and the subsequent electronics 		✓	
Brochure Modular Angle Encoders With Scale Drum or Scale Tape	1371806	<ul style="list-style-type: none"> ■ Technical features, operating conditions, and mounting information ■ Specifications, dimension drawing ■ Accessory 		✓	
Specification CAD	Website Find product ID	<ul style="list-style-type: none"> ■ Views ■ Dimensions 	✓	✓	

Technical support

Measuring systems ☎ +49 8669 31-3104
E-mail: service.ms-support@heidenhain.de
www.heidenhain.de

HEIDENHAIN

DR. JOHANNES HEIDENHAIN GmbH
Postfach 1260 · 83292 Traunreut