

RCN 5xx1 Mounting Instructions

Table of contents

1	Basic information.....	5
1.1	Validity of the documentation.....	5
1.2	Target groups of the Mounting Instructions.....	5
1.3	Notes on reading the documentation.....	6
1.4	Symbols and fonts used for marking text.....	7
1.5	Notes in this documentation.....	8
1.6	Units and tolerances.....	8
2	Safety.....	9
2.1	Personnel qualification.....	9
2.2	General safety precautions.....	9
3	Items supplied and accessories.....	11
3.1	Items supplied.....	11
3.2	Mounting accessories.....	12

4	Mounting	13
4.1	Requirements and notes	13
4.1.1	Functional safety	14
4.2	Connecting the cable	15
4.2.1	Materials and tools	15
4.2.2	Connecting the cable	15
4.3	Choosing the mounting variant	17
4.4	Mounting variant I: shaft coupling with mechanical fault exclusion, with ring nut	18
4.4.1	Materials and tools	18
4.4.2	Mounting the encoder	18
4.5	Mounting variant II: shaft coupling without mechanical fault exclusion, with ring nut	20
4.5.1	Materials and tools	20
4.5.2	Mounting the encoder	20
4.6	Mounting variant III: front-face shaft coupling with mechanical fault exclusion	22
4.6.1	Materials and tools	22
4.6.2	Mounting the encoder	22
4.7	Mounting variant IV: front-face shaft coupling without mechanical fault exclusion	25
4.7.1	Materials and tools	25
4.7.2	Mounting the encoder	25
5	Final steps	27
5.1	Connecting the encoder with the downstream electronics	27
5.1.1	To connect the encoder	27

6	Removal.....	28
6.1	Safety precautions regarding removal.....	28
6.2	Disassembly variants.....	29
6.3	Mounting variants I and II: shaft coupling with ring nut.....	30
6.3.1	Materials and tools.....	30
6.3.2	Removing the encoder.....	30
6.4	Mounting variant III: front-face shaft coupling with mechanical fault exclusion.....	32
6.4.1	Materials and tools.....	32
6.4.2	Removing the encoder.....	32
6.5	Mounting variant IV: front-face shaft coupling without mechanical fault exclusion.....	35
6.5.1	Materials and tools.....	35
6.5.2	Removing the encoder.....	35

1 Basic information

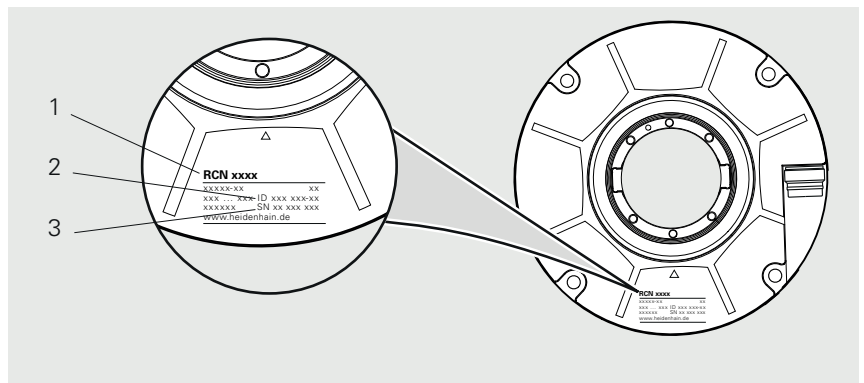
This chapter contains information about the product and the Mounting Instructions.

1.1 Validity of the documentation

These Mounting Instructions apply to RCN 5xx1.

- Before using the documentation, check whether the documentation and product model match. The designation of the product is printed on the ID label.

ID label



ID label with legend

- 1 Product name
- 2 Product ID / Part number (ID)
- 3 Serial number (SN)

1.2 Target groups of the Mounting Instructions

The Mounting Instructions must be read and observed by every person who performs any of the following tasks:

- Design
- Mounting
- Removal

1.3 Notes on reading the documentation

WARNING

Fatal accidents, personal injury or property damage caused by non-compliance with the documentation!

Failure to comply with the documentation may result in fatal accidents, personal injury or property damage.

- ▶ Read the documentation carefully from beginning to end
- ▶ Keep the documentation for future reference

The following table lists the various parts of the documentation in their order of reading priority.

Document type	Description
Addendum	An Addendum supplements or supersedes the corresponding contents of the Operating Instructions and, if applicable, of the Mounting Instructions. If an Addendum is included in the shipment, it has the highest priority for reading. All other documentation content retains its validity.
Operating Instructions	The Operating Instructions contain all of the information and safety instructions for the proper and intended operation of the device. The Operating Instructions (English language version) are included in delivery and can also be downloaded in other languages from www.heidenhain.com/documentation . The Operating Instructions must be read prior to initial operation of the product. The Operating Instructions have the second highest priority for reading.
Mounting Instructions	The Mounting Instructions contain all the information and safety precautions needed for the proper mounting and installation of a product. The Mounting Instructions are not included in delivery and must be downloaded from www.heidenhain.com/documentation . The Mounting Instructions have the third highest priority for reading.

Would you like any changes, or have you found any errors?

We are continuously striving to improve our documentation for you. Please help us by sending your suggestions to the following e-mail address:

userdoc@heidenhain.de

1.4 Symbols and fonts used for marking text

In these instructions the following symbols and fonts are used for marking text:

Format	Meaning
▶ ...	Identifies an action and the result of this action
> ...	Example: <ul style="list-style-type: none">▶ Tilt the shipping brace to remove it (c)> The shipping brace has been removed now
■ ...	Identifies an item of a list
■ ...	Example: <ul style="list-style-type: none">■ Solid contaminants: class 3■ Max. pressure dew point: class 4

1.5 Notes in this documentation

Safety precautions

Precautionary statements warn of hazards in handling the product and provide information on their prevention. Precautionary statements are classified by hazard severity and divided into the following groups:

DANGER

Danger indicates hazards for persons. If you do not follow the avoidance instructions, the hazard **will result in death or severe injury**.

WARNING

Warning indicates hazards for persons. If you do not follow the avoidance instructions, the hazard **could result in death or serious injury**.

CAUTION

Caution indicates hazards for persons. If you do not follow the avoidance instructions, the hazard **could result in minor or moderate injury**.

NOTICE

Notice indicates danger to material or data. If you do not follow the avoidance instructions, the hazard **could result in property damage**.

Informational notes

Informational notes ensure reliable and efficient operation of the product. Informational notes are divided into the following groups:



The information symbol indicates a **tip**.
A tip provides important additional or supplementary information.



The book symbol indicates a **cross reference**.
A cross reference leads to external documentation, for example: further documentation from HEIDENHAIN or another supplier.

1.6 Units and tolerances

Unless otherwise specified, the dimensions stated in these Mounting Instructions are given in millimeters.

Unless otherwise specified, the tolerances stated in these Mounting Instructions conform to ISO 8015 and ISO 2768 standards.

mm



Tolerancing ISO 8015
ISO 2768:1989-mH
≤ 6 mm: ±0.2 mm

2 Safety

This chapter provides important safety information needed for the proper mounting and installation of the product.

2.1 Personnel qualification

Mounting, initial configuration and removal must be conducted by a qualified specialist under compliance with local safety regulations.

2.2 General safety precautions

WARNING

Danger of electric shock due to connection to unsuitable downstream electronics!

If you connect unsuitable downstream electronics to the product, fatal accidents or severe personal injuries can occur.

- ▶ Connect the product only to downstream electronics whose supply voltage comes from PELV systems

WARNING

Live plug connections!

If you disengage plug connections while the equipment is under power, this may result in fatal accidents or severe personal injury.

- ▶ Do not engage or disengage any connecting elements while the product is under power

WARNING

Risk of injury from damaged or worn components!

Safety functions can fail if damaged or worn components are installed. Failed safety functions can result in death or serious injury.

- ▶ Inspect the component for damage
- ▶ Do not use any damaged or worn components
- ▶ In case of replacement, repair the thread
- ▶ Use new screws, spring pins and nuts
- ▶ Secure screws and nuts with suitable material-bonding anti-rotation lock

WARNING

Risk of injury due to improper assembly work!

Safety functions can fail if assembly is performed incorrectly. Failed safety functions can result in death or serious injury.

- ▶ Further assembly requirements must be defined by the machine manufacturer
- ▶ Note the machine manufacturer's assembly requirements
- ▶ After assembly, perform an acceptance test according to the machine manufacturer's requirements

⚠ WARNING**Risk of injury due to moving machine parts!**

Moving machine parts can cause accidents resulting in severe personal injury.

- ▶ Comply with local safety regulations and the machine manufacturer's requirements.

NOTICE**Property damage due to mechanical stress!**

- ▶ Do not drop the product or subject it to major vibration
- ▶ Do not expose the product to mechanical stress
- ▶ Do not change the physical structure of the product

NOTICE**Property damage due to electrical stress!**

- ▶ Do not engage or disengage any connecting elements while the product is under power
- ▶ Do not touch the contacts of the plug connections

NOTICE**Electrostatic discharge (ESD)!**

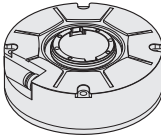
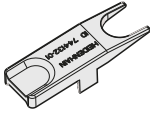
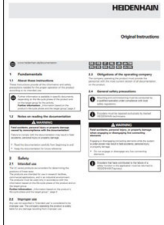

This product contains electrostatically sensitive components that can be destroyed by electrostatic discharge (ESD).

- ▶ It is essential to observe the safety precautions for handling ESD-sensitive components
- ▶ Never touch connector pins without ensuring proper grounding
- ▶ Wear a grounded ESD wristband when handling the connections of the product

3 Items supplied and accessories

This chapter contains information on the items supplied and the available accessories of the product.

3.1 Items supplied

Component	Figure
Encoder	
Disassembly tool for connecting cable	
Operating Instructions	
Quality Inspection Document	

3.2 Mounting accessories

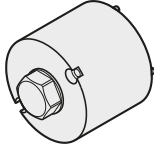

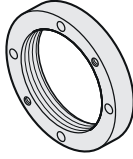
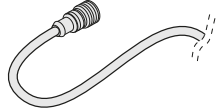
The following accessories can be ordered separately from HEIDENHAIN.



For more information, refer to the **Angle Encoders with Integral Bearing** brochure.

▶ www.heidenhain.com/documentation

▶ Enter the document ID **591109**

Designation	ID	Figure
Mounting aid	530334-17	
Catch	817921-02	
Ring nut	336669-17	
Connecting cable		

4 Mounting

This chapter describes the mounting requirements, different mounting variants, and all other tasks necessary when mounting.

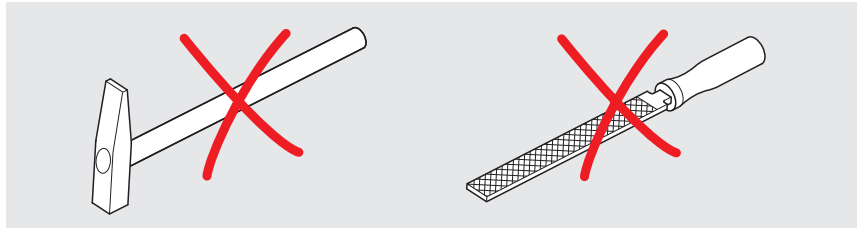
4.1 Requirements and notes

NOTICE

Property damage due to inappropriate tools!

Using inappropriate tools for mounting or removal of the encoder may cause damage to the encoder.

- ▶ Do not use hammers
- ▶ Do not use pointed or sharp-edged tools



NOTICE

Property damage due to aggressive media

The use of aggressive media or organic solvents such as thinners, alcohol, or ligroin causes damage to the encoder.

- ▶ Never use aggressive media or organic solvents



The mounting surfaces must be clean and free of burrs.



All information on screw connections is based on a mounting temperature of 15 °C to 35 °C.

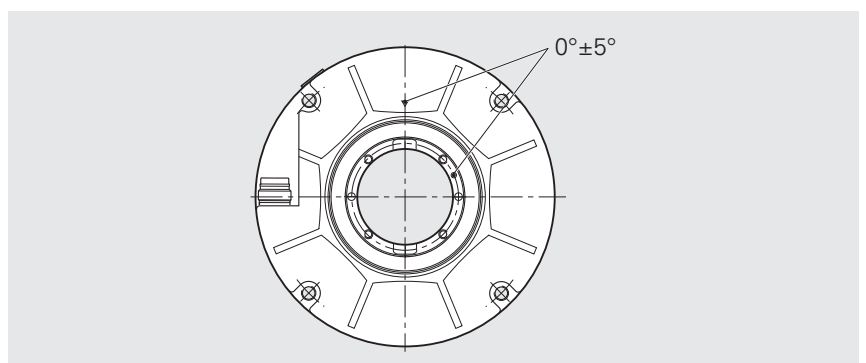


For more information on mounting, refer to the **Mating Dimensions** document.

- ▶ www.heidenhain.com/documentation
- ▶ Enter the product ID
- ▶ Open **Mating Dimensions**

Zero position

If the zero position is relevant in the application, pay attention to the alignment of the zero position marks during mounting.



4.1.1 Functional safety

If the machine manufacturer requires fault exclusion for the loosening of the mechanical connection in order to use the encoder, the information on safe mechanical connection must be complied with. The corresponding information is described in the mounting variants "**with mechanical fault exclusion.**"



For more information, refer to the **Angle Encoders with Integral Bearing** brochure.

- ▶ www.heidenhain.com/documentation
- ▶ Enter the document ID **591109**

4.2 Connecting the cable

4.2.1 Materials and tools

For this task, the following materials and tools are needed:

Included in delivery

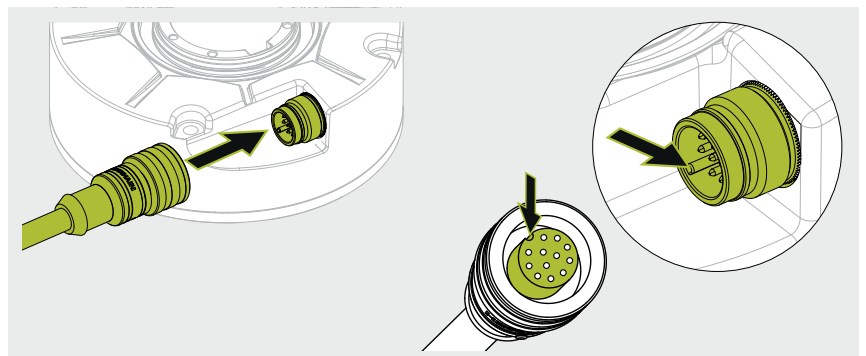
To be provided separately

- Connecting cable
- Cable fastening

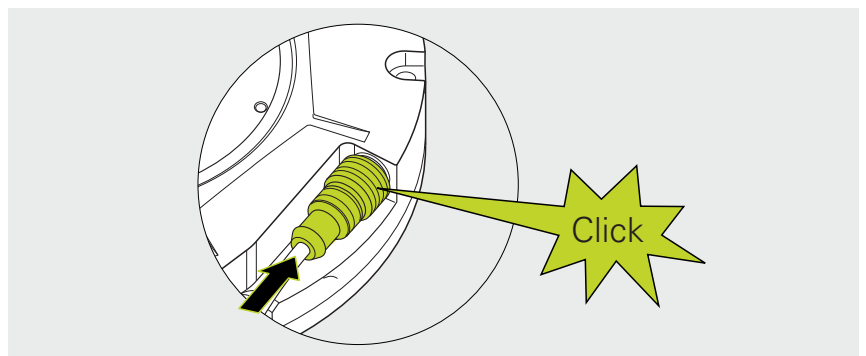
4.2.2 Connecting the cable

- ▶ Connect the cable to the mating socket of the encoder

i Pay attention to the correct alignment of the connector.



- ▶ Ensure that the cable engages in the mating socket



For more information on the pin layout of the product, refer to the **Pin Layout** document

- ▶ www.heidenhain.com/documentation
- ▶ Enter the product ID
- ▶ Open the **Pin Layout**



For more information on sources of interference, refer to the **Interfaces of HEIDENHAIN Encoders** brochure.

- ▶ www.heidenhain.com/documentation
- ▶ Enter the document ID **1078628**

NOTICE**Property damage resulting from incorrect routing of the connecting cable!**

Connecting cables may become damaged as a result of incorrect routing.

- ▶ Observe the maximum permissible bend radii
- ▶ Do not cross connecting cables in drag chains
- ▶ Route connecting cables professionally



For more information on the cable characteristics and cable routing, refer to the **Cables and Connectors** brochure.

- ▶ www.heidenhain.com/documentation
- ▶ Enter the document ID **1206103**

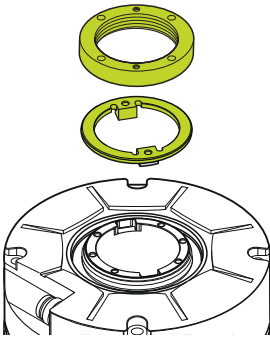
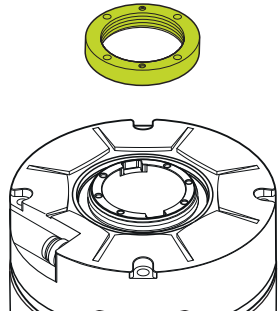
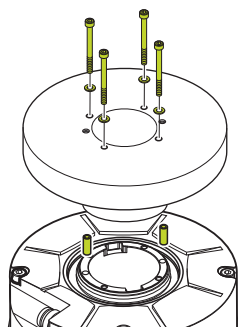
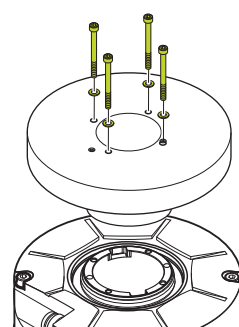


For more information on the pin layouts of pre-assembled cables, refer to the **Cables and Connectors** brochure.

- ▶ www.heidenhain.com/documentation
- ▶ Enter the document ID **1206103**

4.3 Choosing the mounting variant

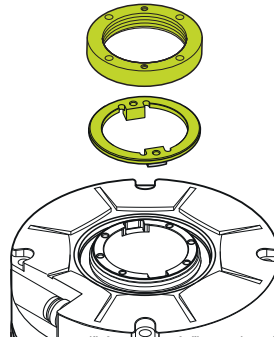
Mounting variants for the shaft coupling

	Shaft coupling with mechanical fault exclusion	Shaft coupling without mechanical fault exclusion
With ring nut	 <p>Mounting variant I Page 18</p>	 <p>Mounting variant II Page 20</p>
At the front	 <p>Mounting variant III Page 22</p>	 <p>Mounting variant IV Page 25</p>

4.4 Mounting variant I: shaft coupling with mechanical fault exclusion, with ring nut

The mounting variant described in this chapter refers to mounting of the product by means of shaft coupling with mechanical fault exclusion, using a ring nut.

An overview of the mounting variants is provided on Page 17.



4.4.1 Materials and tools

For this task, the following materials and tools are needed:

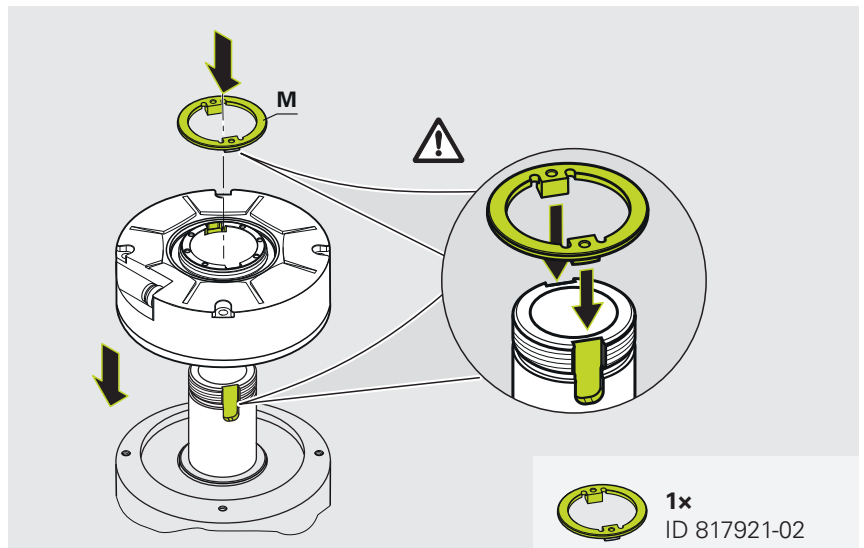
Included in delivery

To be provided separately

- Ring nut
- Catch
- Mounting aid
- 4 screws (ISO 4762 – M4x40 – 8.8)
- 4 washers (ISO 7092 – 4 – 200HV)
- 2 screws (ISO 4762 – M3x35 – 8.8)
- Torque wrench (hexagon socket, 2.5 mm and 3 mm)
- Torque wrench width 17
- Material bonding anti-rotation lock (medium strength, removable)
- Caliper gauge
- Cable fastening

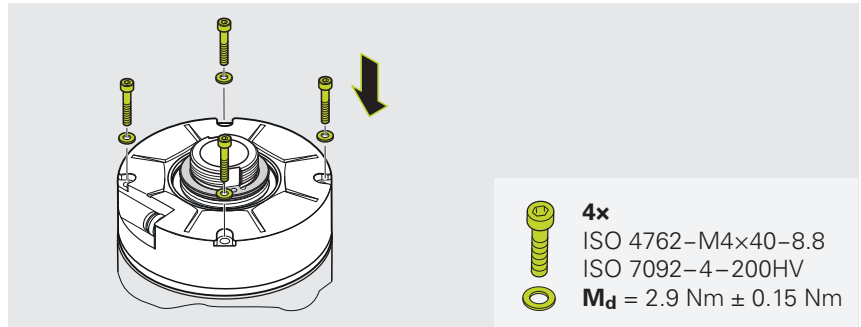
4.4.2 Mounting the encoder

- ▶ Align the encoder with the machine shaft and slide it on
- ▶ Insert the catch (**M**) in the recess provided in the encoder and the machine shaft
- ▶ Make sure that the catch (**M**) is seated correctly in the recesses on the encoder and the machine shaft

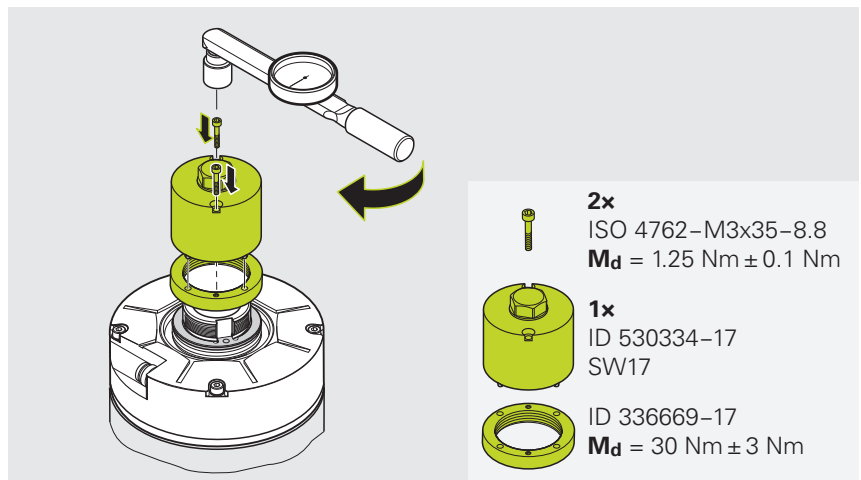


Mounting | Mounting variant I: shaft coupling with mechanical fault exclusion, with ring nut | Mounting the encoder

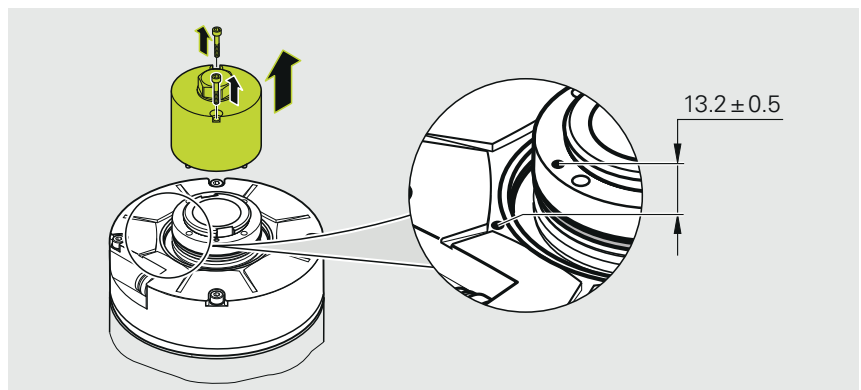
- ▶ Apply material bonding anti-rotation lock (medium strength, removable) to the screws
- ▶ Insert the screws and washers in the encoder
- ▶ Tighten the screws with the specified torque



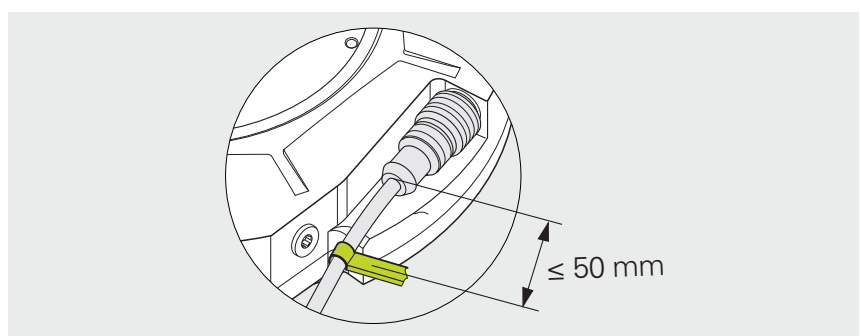
- ▶ Apply material bonding anti-rotation lock (medium strength, removable) to the thread of the ring nut
- ▶ Place the ring nut onto the machine shaft
- ▶ Place the mounting aid on the ring nut and adjust it according to the threaded holes in the ring nut
- ▶ Insert the screws (2x) in the mounting aid and tighten them with the specified torque
- ▶ Using the mounting aid, tighten the ring nut with the specified torque



- ▶ Loosen and remove the screws (2x) on the mounting aid
- ▶ Remove the mounting aid from the ring nut
- ▶ Ensure that the protrusion of the ring nut to the encoder is within the specified tolerance



- ▶ Attach the cable fastening with the specified distance

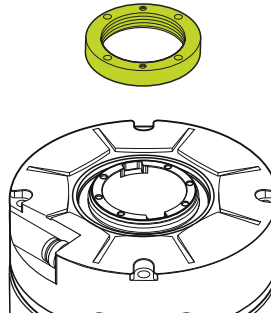


Next step: "To connect the encoder"

4.5 Mounting variant II: shaft coupling without mechanical fault exclusion, with ring nut

The mounting variant described in this chapter refers to mounting of the product by means of shaft coupling without mechanical fault exclusion, using a ring nut.

An overview of the mounting variants is provided on Page 17.



4.5.1 Materials and tools

For this task, the following materials and tools are needed:

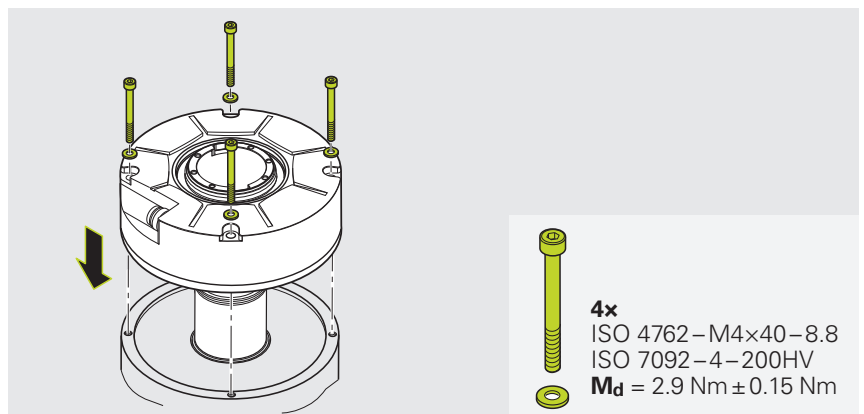
Included in delivery

To be provided separately

- Ring nut
- Mounting aid
- 4 screws (ISO 4762 – M4×40 – 8.8)
- 4 washers (ISO 7092 – 4 – 200HV)
- 2 screws (ISO 4762 – M3×35 – 8.8)
- Torque wrench (hexagon socket, 2.5 mm and 3 mm)
- Torque wrench width 17
- Material bonding anti-rotation lock (medium strength, removable)
- Caliper gauge
- Cable fastening

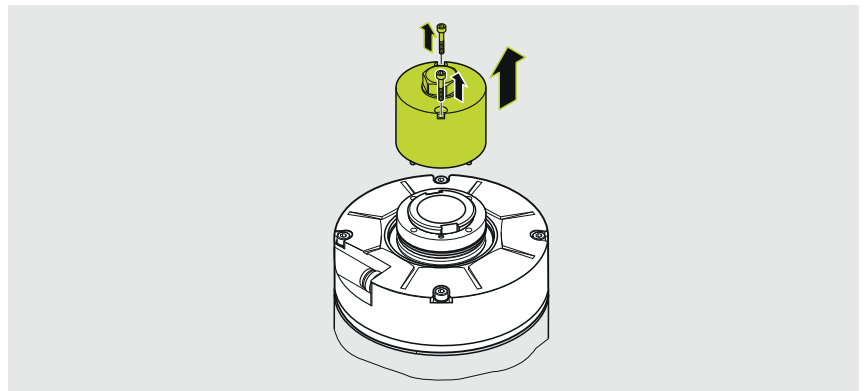
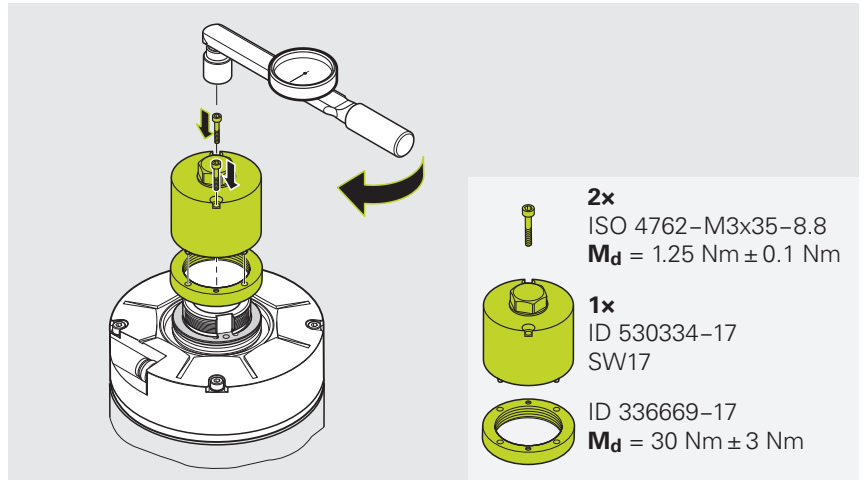
4.5.2 Mounting the encoder

- ▶ Slide the encoder onto the machine shaft
- ▶ Apply material bonding anti-rotation lock (medium strength, removable) to the screws
- ▶ Insert the screws and washers in the encoder
- ▶ Tighten the screws with the specified torque

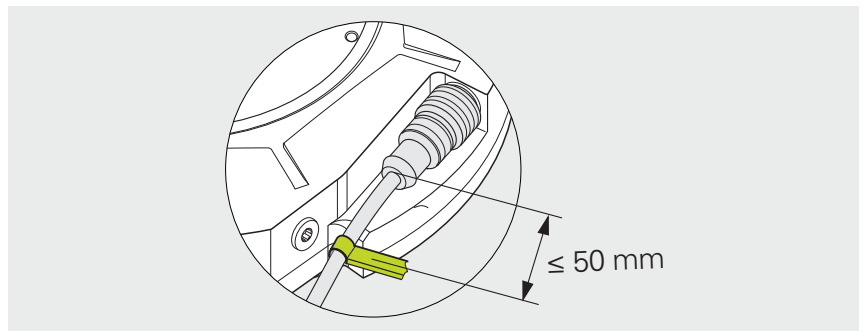


Mounting | Mounting variant II: shaft coupling without mechanical fault exclusion, with ring nut | Mounting the encoder

- ▶ Apply material bonding anti-rotation lock (medium strength, removable) to the thread of the ring nut
- ▶ Place the ring nut onto the machine shaft
- ▶ Place the mounting aid on the ring nut and adjust it according to the threaded holes in the ring nut
- ▶ Insert the screws (2x) in the mounting aid and tighten them with the specified torque
- ▶ Using the mounting aid, tighten the ring nut with the specified torque
- ▶ Loosen and remove the screws (2x) on the mounting aid
- ▶ Remove the mounting aid from the ring nut



- ▶ Attach the cable fastening with the specified distance

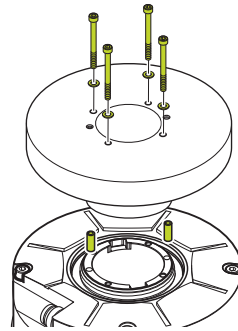


Next step: "To connect the encoder"

4.6 Mounting variant III: front-face shaft coupling with mechanical fault exclusion

The mounting variant described in this chapter refers to mounting of the product by means of front-end shaft coupling with mechanical fault exclusion.

An overview of the mounting variants is provided on Page 17.



4.6.1 Materials and tools

For this task, the following materials and tools are needed:

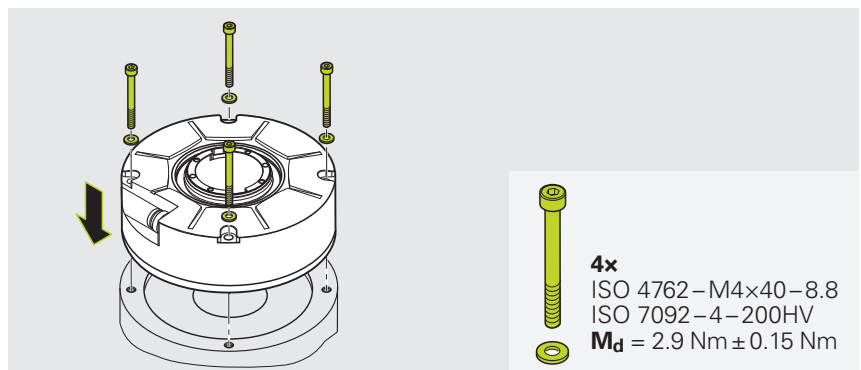
Included in delivery

To be provided separately

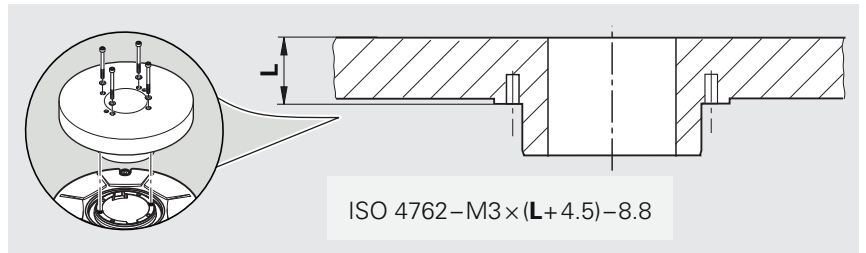
- Mounting element (adapted to the design)
- 4 screws (ISO 4762 – M4×40 – 8.8)
- 4 washers (ISO 7092 – 4 – 200HV)
- 4 screws (ISO 4762 – M3×(L+4.5) – 8.8)
- 4 washers (ISO 7092 – 3 – 200HV)
- 2 spring pins (ISO 8752 – 2.5×10 – St)
- Torque wrench (hexagon socket, 2.5 mm and 3 mm)
- Material bonding anti-rotation lock (medium strength, removable)
- Caliper gauge
- Cable fastening

4.6.2 Mounting the encoder

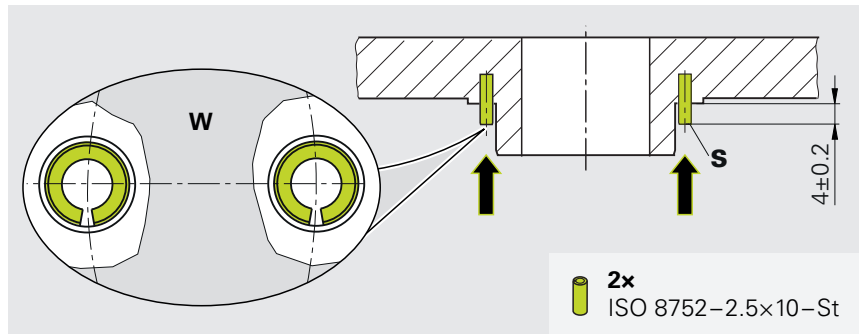
- ▶ Apply material bonding anti-rotation lock (medium strength, removable) to the screws
- ▶ Insert the screws and washers in the encoder
- ▶ Tighten the screws with the specified torque



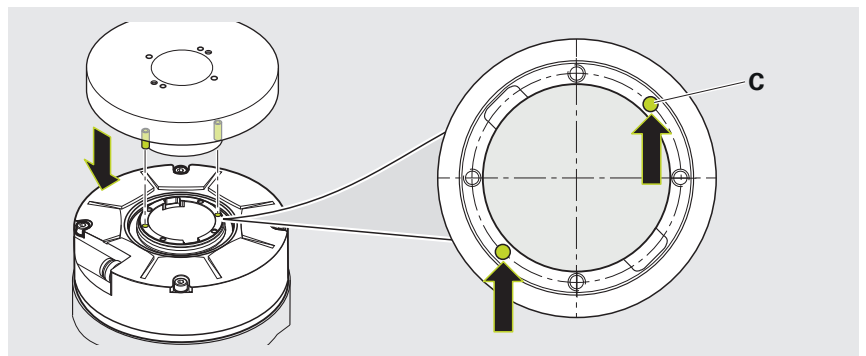
- ▶ Determine the dimension **(L)**
- ▶ For later determination of the screw length and the reference dimension



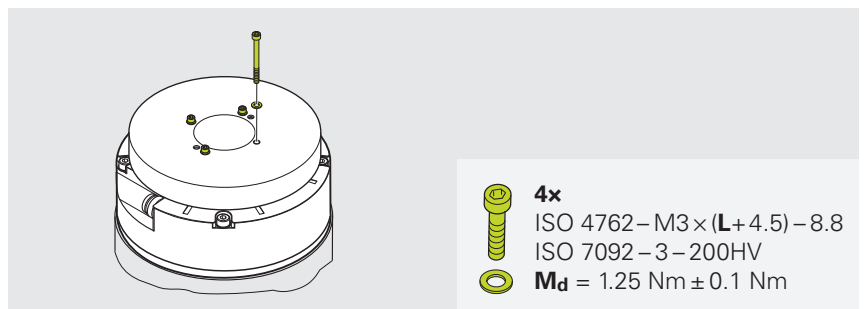
- ▶ Ensure that the spring pins **(S)** are free of burrs
- ▶ Align the slots of the spring pins tangentially toward each other **(W)** and insert them in the mounting element
- ▶ Ensure that the spring pins in the mounting element protrude by the specified length



- ▶ Align the mounting element with the spring pins toward the spring pin holes **(C)** on the encoder
- ▶ Place the mounting element on the encoder and slightly push the spring pins into the spring-pin holes **(C)**



- ▶ Apply the material bonding anti-rotation lock (medium strength, removable) to the screws
- ▶ Insert the screws and washers into the mounting element



NOTICE

Damage due to improper mounting of the mounting element

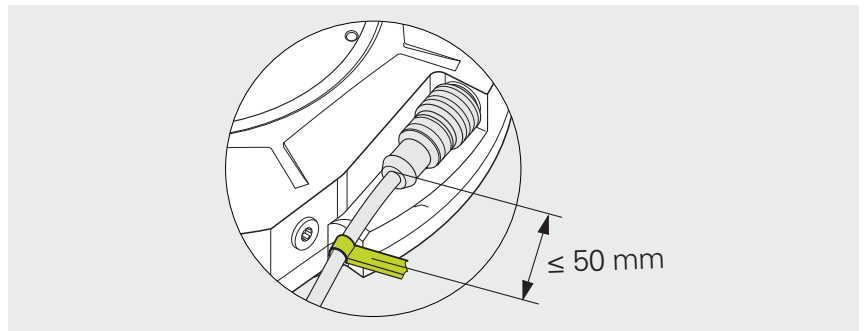
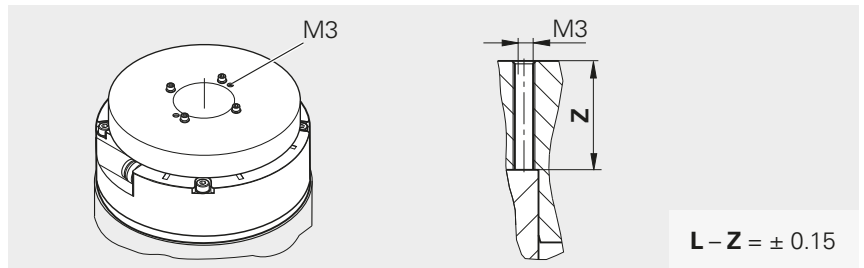
Improper mounting can lead to jamming of the mounting element, thus causing damage to the encoder.

- ▶ Tighten the screws only crosswise by half a turn at a time
- ▶ Ensure that the mounting element does not get jammed in the encoder

- ▶ Tighten the screws crosswise, half a turn at a time, until the specified tightening torque is reached

- ▶ Determine the reference dimension **(Z)** through the back-off thread **(M3)**
- ▶ Ensure that the distances are within the specified tolerance

- ▶ Attach the cable fastening with the specified distance

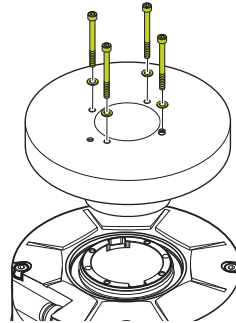


Next step: "To connect the encoder"

4.7 Mounting variant IV: front-face shaft coupling without mechanical fault exclusion

The mounting variant described in this chapter refers to mounting of the product by means of front-end shaft coupling without mechanical fault exclusion.

An overview of the mounting variants is provided on Page 17.



4.7.1 Materials and tools

For this task, the following materials and tools are needed:

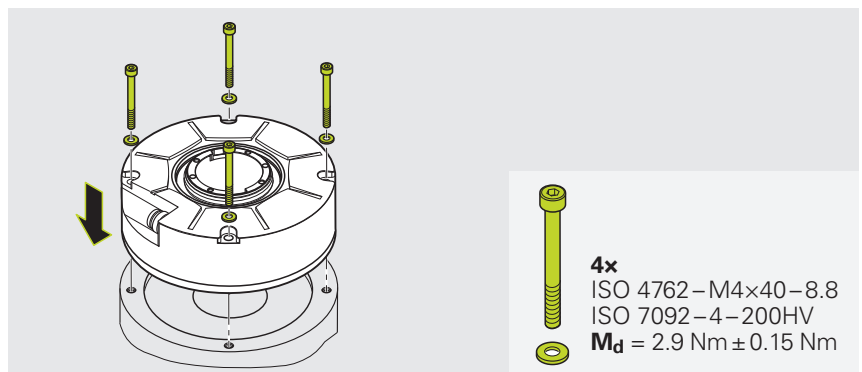
Included in delivery

To be provided separately

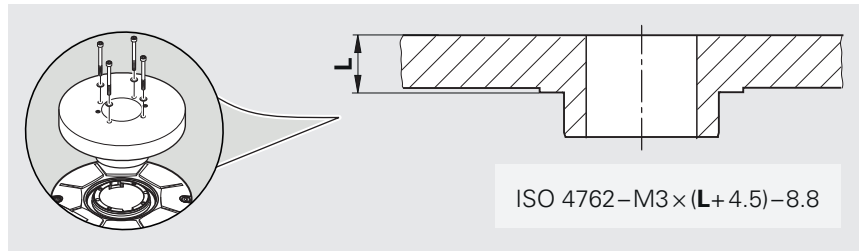
- Mounting element (adapted to the design)
- 4 screws (ISO 4762 – M4×40 – 8.8)
- 4 washers (ISO 7092 – 4 – 200HV)
- 4 screws (ISO 4762 – M3×(L+4.5) – 8.8)
- 4 washers (ISO 7092 – 3 – 200HV)
- Torque wrench (hexagon socket, 2.5 mm and 3 mm)
- Material bonding anti-rotation lock (medium strength, removable)
- Caliper gauge
- Cable fastening

4.7.2 Mounting the encoder

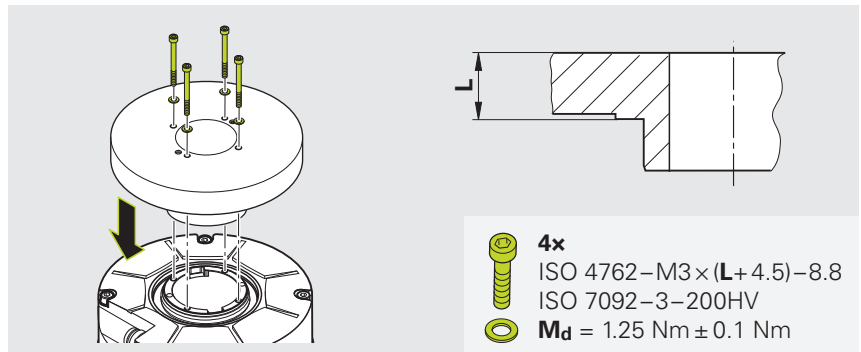
- ▶ Apply material bonding anti-rotation lock (medium strength, removable) to the screws
- ▶ Insert the screws and washers in the encoder
- ▶ Tighten the screws with the specified torque



- ▶ Determine the dimension (**L**)
- ▶ For later determination of the screw length



- ▶ Place the mounting element on the encoder. Pay attention to the orientation of the holes
- ▶ Apply the material bonding anti-rotation lock (medium strength, removable) to the screws
- ▶ Insert the screws and washers into the encoder

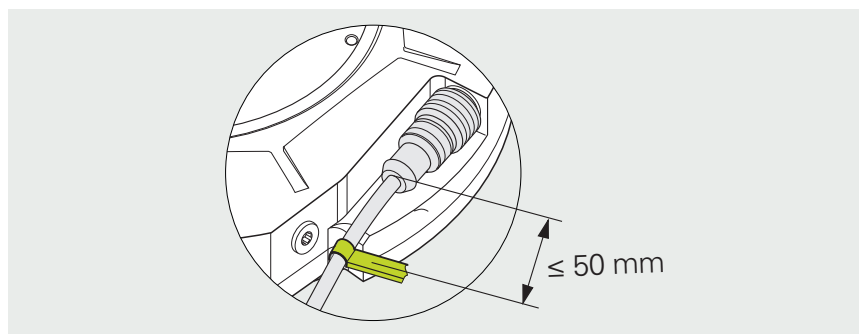


NOTICE

Damage due to improper mounting of the mounting element

Improper mounting can lead to jamming of the mounting element, thus causing damage to the encoder.

- ▶ Tighten the screws only crosswise by half a turn at a time
 - ▶ Ensure that the mounting element does not get jammed in the encoder
- ▶ Tighten the screws crosswise, half a turn at a time, until the specified tightening torque is reached
 - ▶ Attach the cable fastening with the specified distance



Next step: "To connect the encoder"

5 Final steps

5.1 Connecting the encoder with the downstream electronics

5.1.1 To connect the encoder

WARNING

Danger of electric shock due to plug connections under voltage!

Connecting and disconnecting live cables and plug connections in the equipment can result in death or serious injury.

- Only connect and disconnect cables and plug connections when no current is flowing through them
- Disconnect the downstream electronics from power before connecting the product
- For cables without connectors, pay attention to the pin layout

NOTICE

Property damage resulting from incorrect routing of the connecting cable!

Connecting cables may become damaged as a result of incorrect routing.

- ▶ Observe the maximum permissible bend radii
- ▶ Do not cross connecting cables in drag chains
- ▶ Route connecting cables professionally

- ▶ Connect the encoder to the downstream electronics



For more information on sources of interference, refer to the **Interfaces of HEIDENHAIN Encoders** brochure.

- ▶ www.heidenhain.com/documentation
- ▶ Enter the document ID **1078628**



For more information on the cable characteristics and cable routing, refer to the **Cables and Connectors** brochure.

- ▶ www.heidenhain.com/documentation
- ▶ Enter the document ID **1206103**



For more information on the pin layouts of pre-assembled cables, refer to the **Cables and Connectors** brochure.

- ▶ www.heidenhain.com/documentation
- ▶ Enter the document ID **1206103**

6 Removal

This chapter describes the disassembly of the product.

6.1 Safety precautions regarding removal

WARNING

Live plug connections!

If you disengage plug connections while the equipment is under power, this may result in fatal accidents or severe personal injury.

- ▶ Do not engage or disengage any connecting elements while the product is under power

WARNING

Risk of injury due to improper disassembly work!

Safety functions can fail if disassembly is performed incorrectly. Failed safety functions can result in death or serious injury.

- ▶ Further disassembly requirements must be defined by the machine manufacturer
- ▶ Note the machine manufacturer's disassembly requirements

WARNING

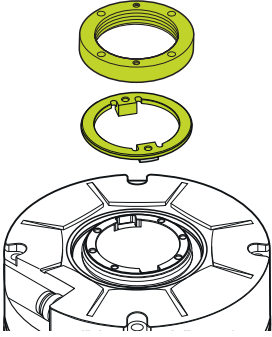
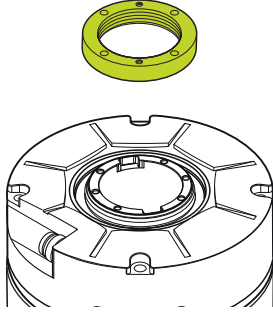
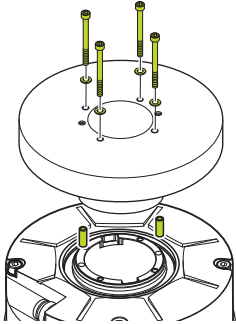
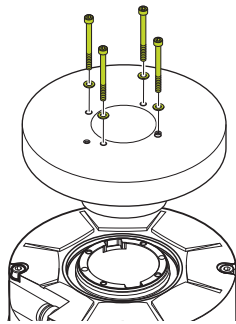
Risk of injury due to moving machine parts!

Moving machine parts can cause accidents resulting in severe personal injury.

- ▶ Comply with local safety regulations and the machine manufacturer's requirements.

6.2 Disassembly variants

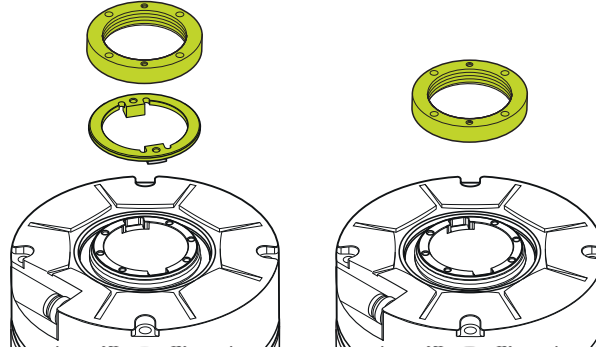
The removal procedure depends on the selected mounting variant.

		Mounting variants for the shaft coupling	
		Shaft coupling with mechanical fault exclusion	Shaft coupling without mechanical fault exclusion
With ring nut			
	Mounting variant I Page 30	Mounting variant II Page 30	
At the front			
	Mounting variant III Page 32	Mounting variant IV Page 35	

6.3 Mounting variants I and II: shaft coupling with ring nut

The mounting variant described in this chapter refers to removal of the product fastened by means of shaft coupling with a ring nut.

An overview of the mounting variants is provided on Page 29.



6.3.1 Materials and tools

For this task, the following materials and tools are needed:

Included in delivery

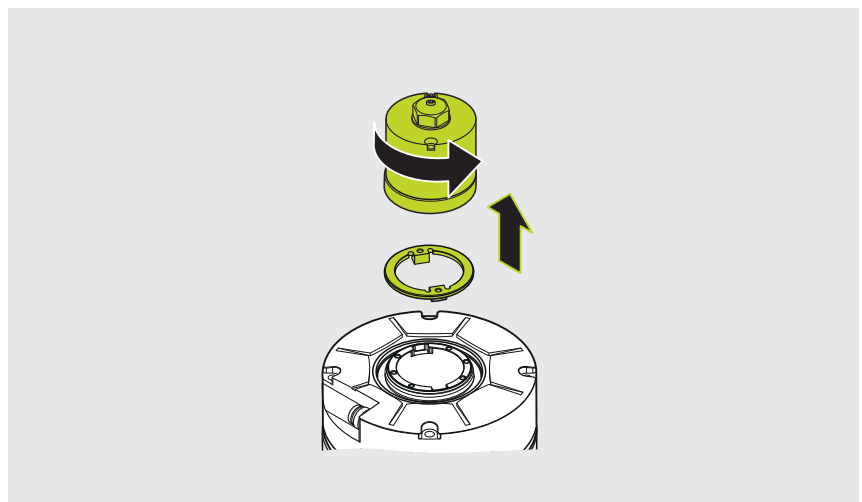
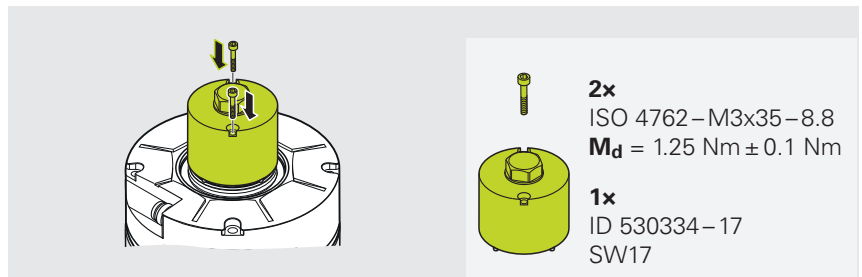
- Disassembly tool for connecting cable

To be provided separately

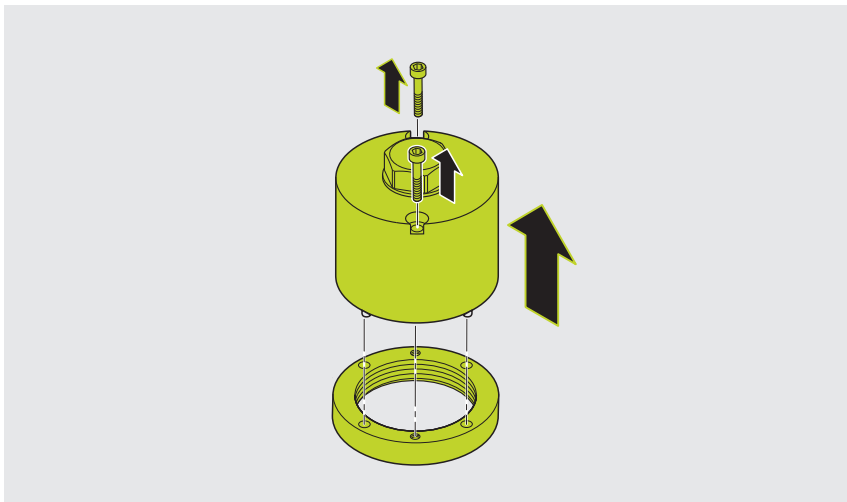
- Mounting aid
- Torque wrench width 17
- 2 screws (ISO 4762 – M3x35 – 8.8)
- Torque wrench (hexagon socket, 2.5 mm and 3 mm)

6.3.2 Removing the encoder

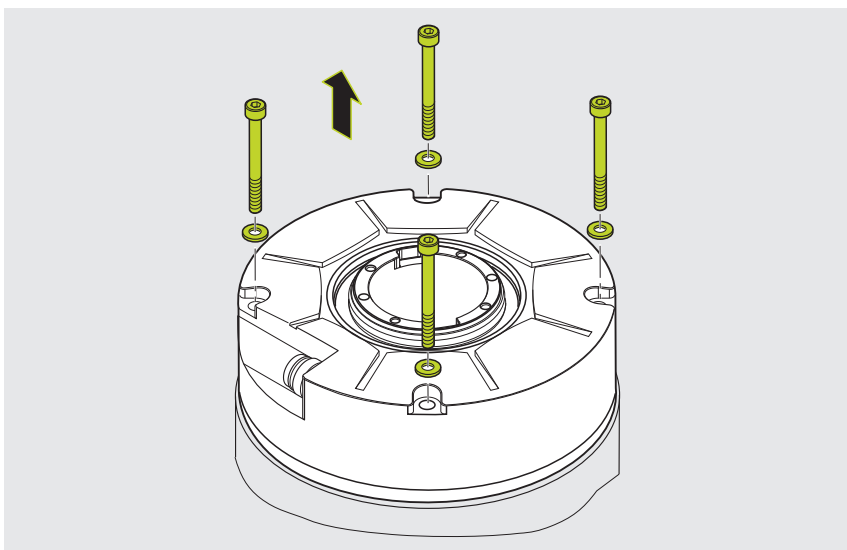
- ▶ Loosen the cable fastening
- ▶ Place the mounting aid on the ring nut and adjust it according to the threaded holes in the ring nut
- ▶ Insert the screws (2x) in the mounting aid and tighten them with the specified torque
- ▶ Loosen and remove the ring nut using the mounting aid
- ▶ Remove the catch (if applicable)



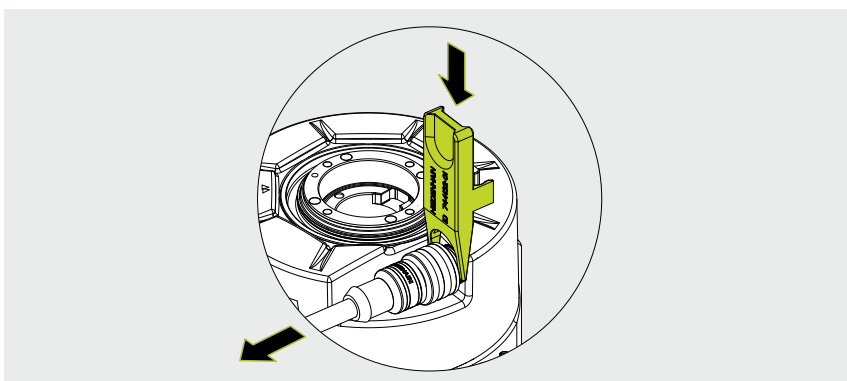
- ▶ Loosen and remove the screws (2x) on the mounting aid



- ▶ Loosen the screws and remove them including the washers
- ▶ Remove the encoder



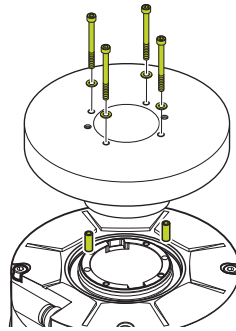
- ▶ Loosen the connecting cable with the disassembly tool
- ▶ Remove the cable



6.4 Mounting variant III: front-face shaft coupling with mechanical fault exclusion

The mounting variant described in this chapter refers to removal of the product fastened by means of front-end shaft coupling with mechanical fault exclusion.

An overview of the mounting variants is provided on Page 29.



6.4.1 Materials and tools

For this task, the following materials and tools are needed:

Included in delivery

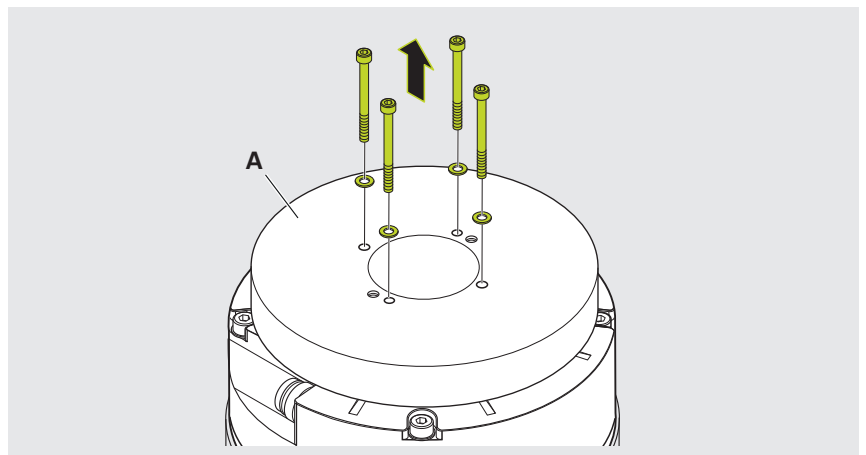
- Disassembly tool for connecting cable

To be provided separately

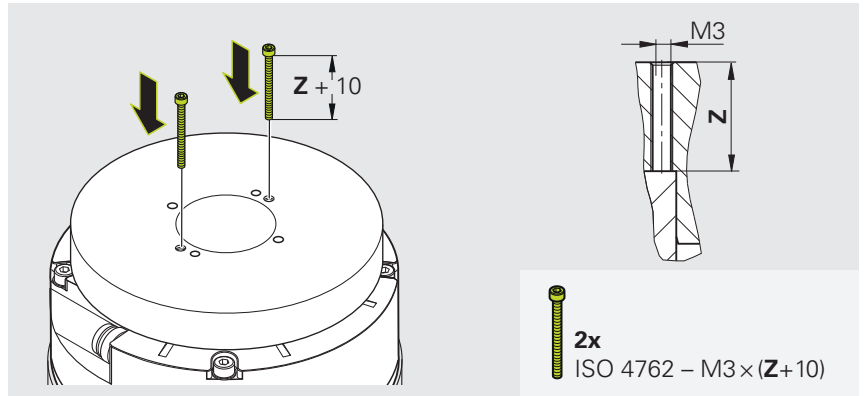
- 2 screws (ISO 4762–M3×(Z+10))
- Torque wrench (hexagon socket, 2.5 mm and 3 mm)
- Pliers (optional)

6.4.2 Removing the encoder

- ▶ Loosen the cable fastening
- ▶ Loosen the screws on the mounting element **(A)** and remove them including the washers



- ▶ Determine the reference dimension **(Z)** through the back-off thread **(M3)**
- ▶ Insert the screws into the two back-off threads of the mounting element
- ▶ Carefully turn in the screws until they touch the encoder



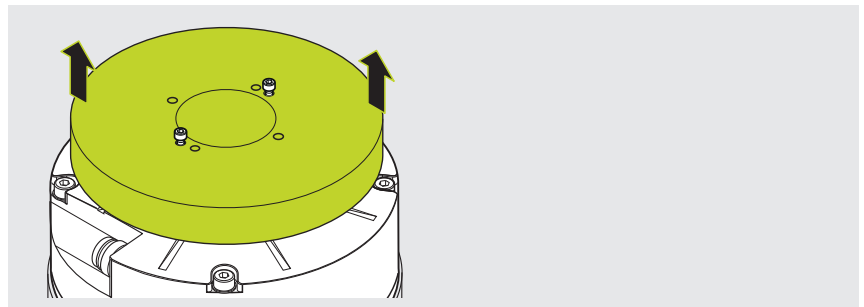
NOTICE

Damage due to improper removal of the mounting element

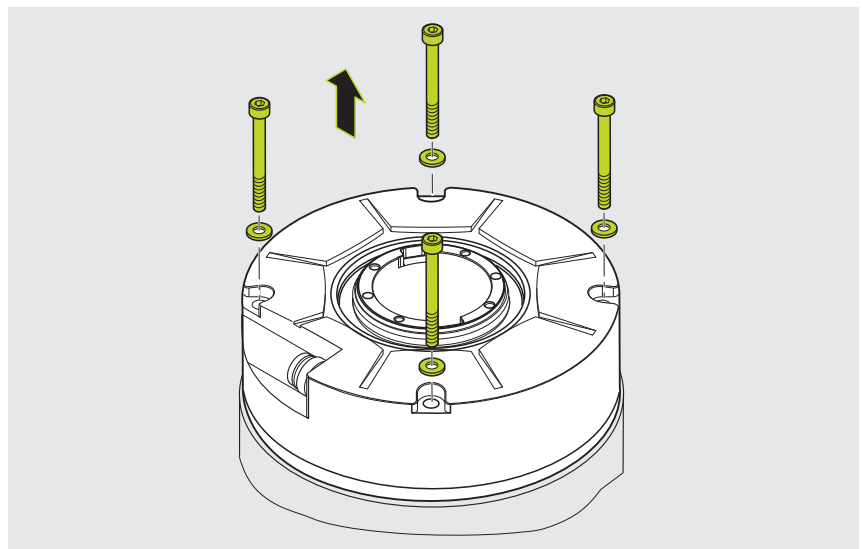
Improper removal can lead to jamming of the mounting element, thus causing damage to the encoder.

- ▶ Tighten the screws only alternately by half a turn at a time
- ▶ Ensure that the mounting element does not get jammed in the encoder

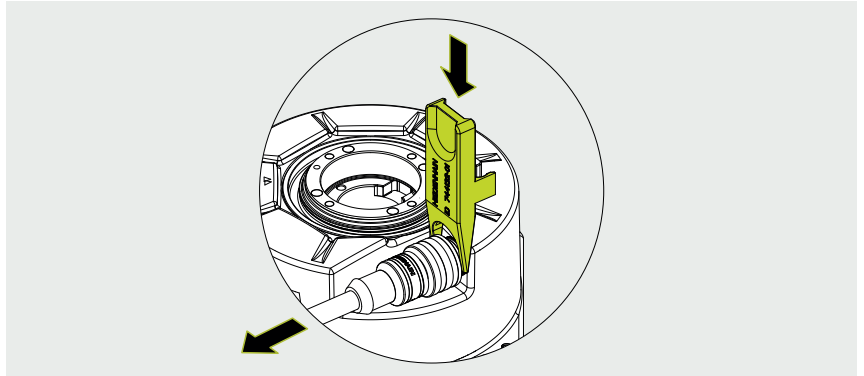
- ▶ Tighten the screws alternately by half a turn at a time until the mounting element has loosened
- ▶ Remove the mounting element
- ▶ If necessary, use pliers to pull the spring pins out of the encoder



- ▶ Loosen the screws and remove them including the washers
- ▶ Remove the encoder



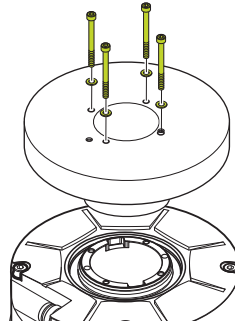
- ▶ Loosen the connecting cable with the disassembly tool
- ▶ Remove the cable



6.5 Mounting variant IV: front-face shaft coupling without mechanical fault exclusion

The mounting variant described in this chapter refers to removal of the product fastened by means of front-end shaft coupling without mechanical fault exclusion.

An overview of the mounting variants is provided on Page 29.



6.5.1 Materials and tools

For this task, the following materials and tools are needed:

Included in delivery

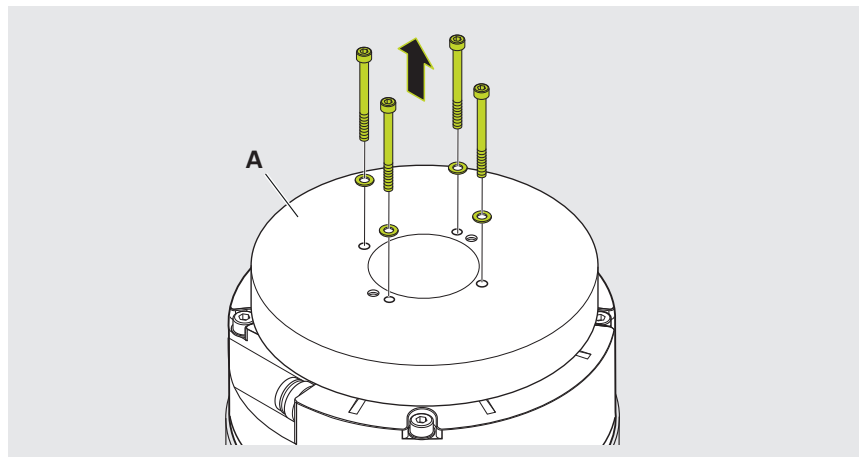
- Disassembly tool for connecting cable

To be provided separately

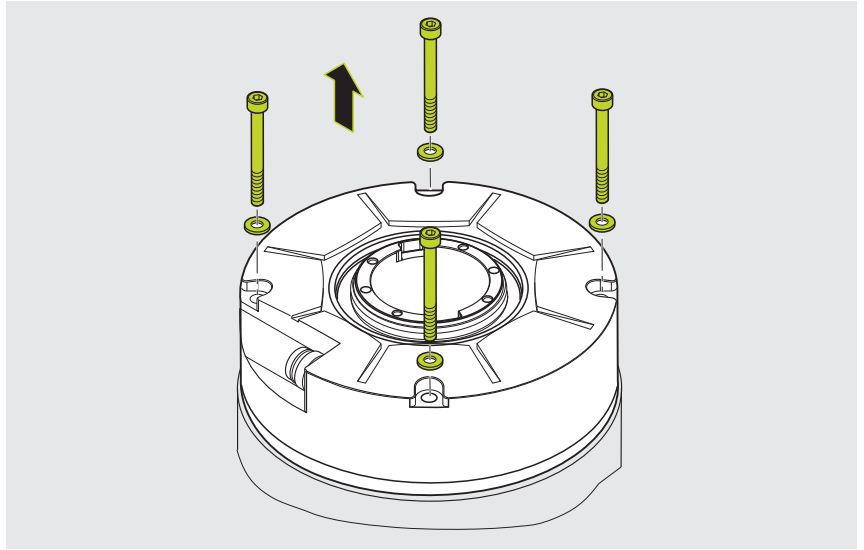
- Torque wrench (hexagon socket, 2.5 mm and 3 mm)

6.5.2 Removing the encoder

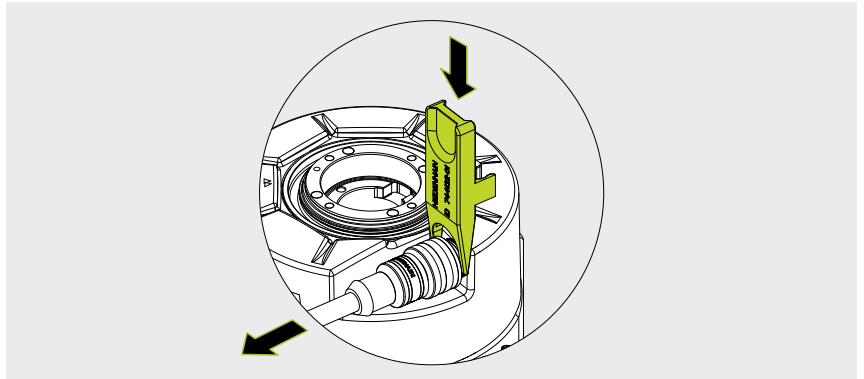
- ▶ Loosen the cable fastening
- ▶ Loosen the screws on the mounting element **(A)** and remove them including the washers
- ▶ Remove the mounting element



- ▶ Loosen the screws and remove them including the washers
- ▶ Remove the encoder



- ▶ Loosen the connecting cable with the disassembly tool
- ▶ Remove the cable



HEIDENHAIN

DR. JOHANNES HEIDENHAIN GmbH

Dr.-Johannes-Heidenhain-Straße 5

83301 Traunreut, Germany

☎ +49 8669 31-0

☎ +49 8669 32-5061

info@heidenhain.de

Technical support ☎ +49 8669 32-1000

Measuring systems ☎ +49 8669 31-3104

service.ms-support@heidenhain.de

NC support ☎ +49 8669 31-3101

service.nc-support@heidenhain.de

NC programming ☎ +49 8669 31-3103

service.nc-pgm@heidenhain.de

PLC programming ☎ +49 8669 31-3102

service.plc@heidenhain.de

APP programming ☎ +49 8669 31-3106

service.app@heidenhain.de

www.heidenhain.com