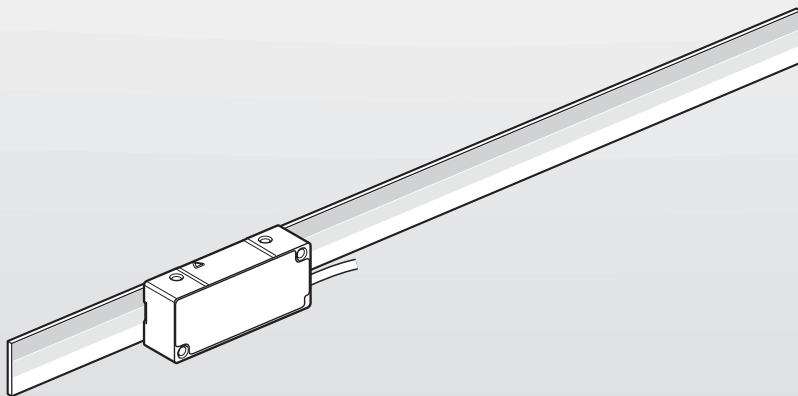




# HEIDENHAIN



**LIC 4119**

**LIC 4139**

**LIC 4199**

Mounting Instructions

English (en)  
11/2024

## Table of contents

<b>1</b>	<b>Basic information.....</b>	<b>4</b>
1.1	Validity of the documentation.....	4
1.2	Target groups of the Mounting Instructions.....	4
1.3	Notes on reading the documentation.....	5
1.4	Symbols and fonts used for marking text.....	6
1.5	Notes in this documentation.....	7
1.6	Units and tolerances.....	7
<b>2</b>	<b>Safety.....</b>	<b>8</b>
2.1	Personnel qualification.....	8
2.2	General safety precautions.....	8
<b>3</b>	<b>Items supplied and accessories.....</b>	<b>10</b>
3.1	Items supplied.....	10
3.1.1	Included with the LIC 4009 scale tape.....	10
3.1.2	Included with the LIC 411, LIC 413, LIC 419 scanning head.....	11
3.2	Mounting accessories.....	12
3.2.1	Accessories for mounting the scale tape.....	12
3.2.2	Accessories for mounting the scanning head.....	12
<b>4</b>	<b>Mounting.....</b>	<b>13</b>
4.1	Prerequisites and notes.....	13
4.2	Mounting the scale tape.....	14
4.2.1	Mounting information.....	14
4.2.2	Materials and tools.....	14
4.2.3	Bonding the scale tape.....	15
4.3	Mounting the scanning head.....	16
4.3.1	Choosing the mounting variant.....	16
4.3.2	Variant: Mounting with the holder on the side.....	17
4.3.3	Variant: Mounting with the holder at top.....	21
4.3.4	Variant: Mounting with the holder at bottom.....	25

<b>5</b>	<b>Adjustment and diagnosis.....</b>	<b>29</b>
5.1	Prerequisites and notes.....	29
5.2	Continuity check.....	29
5.2.1	Measuring the electrical resistance.....	29
5.3	Connecting the encoder to the ATS.....	30
5.3.1	Connecting the encoder.....	30
5.3.2	Select connection.....	30
5.3.3	Connecting the encoder using its ID.....	31
5.3.4	Connecting the encoder manually.....	32
5.4	Mounting the scanning head.....	35
5.4.1	Selecting the scanning head.....	35
5.4.2	Mounting the LIC 411 or LIC 419x scanning head.....	36
5.4.3	Mounting the LIC 413 scanning head.....	38
5.4.4	Mounting the LIC 413 scanning head in bus operation.....	41
<b>6</b>	<b>Final steps.....</b>	<b>44</b>
6.1	Connecting the encoder with the downstream electronics.....	44
<b>7</b>	<b>Removal.....</b>	<b>45</b>
7.1	Safety precautions regarding removal.....	45
7.2	Removing the scanning head.....	45
7.3	Removing the scale tape.....	45

## 1 Basic information

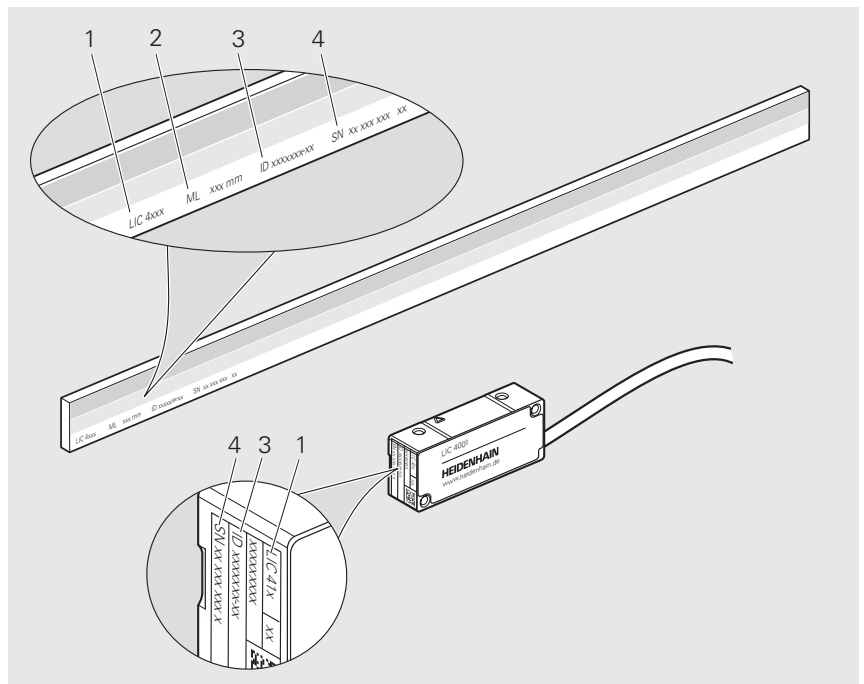
This chapter contains information about the product and the Mounting Instructions.

### 1.1 Validity of the documentation

These Mounting Instructions apply to products of the LIC 4119, LIC 4139, LIC 4199 series.

- Before using the documentation, check whether the documentation and product model match. The designation of the product is printed on the ID label.

#### ID label



ID label with legend

- 1 Product name
- 2 Measuring length (ML)
- 3 Part number (ID)
- 4 Serial number (SN)

### 1.2 Target groups of the Mounting Instructions

The Mounting Instructions must be read and observed by every person who performs any of the following tasks:

- Design
- Mounting
- Removal

## 1.3 Notes on reading the documentation

### WARNING

#### **Fatal accidents, personal injury or property damage caused by non-compliance with the documentation!**

Failure to comply with the documentation may result in fatal accidents, personal injury or property damage.

- ▶ Read the documentation carefully from beginning to end
- ▶ Keep the documentation for future reference

The following table lists the various parts of the documentation in their order of reading priority.

Document type	Description
Addendum	An Addendum supplements or supersedes the corresponding contents of the Operating Instructions and, if applicable, of the Mounting Instructions. If an Addendum is included in the shipment, it has the highest priority for reading. All other documentation content retains its validity.
Operating Instructions	The Operating Instructions contain all of the information and safety instructions for the proper and intended operation of the device. The Operating Instructions (English language version) are included in delivery and can also be downloaded in other languages from <b><a href="http://www.heidenhain.com/documentation">www.heidenhain.com/documentation</a></b> . The Operating Instructions must be read prior to commissioning the product. The Operating Instructions have the second highest priority for reading.
Mounting Instructions	The Mounting Instructions contain all the information and safety precautions needed for the proper mounting and installation of a product. The Mounting Instructions are not included in delivery and must be downloaded from <b><a href="http://www.heidenhain.com/documentation">www.heidenhain.com/documentation</a></b> . The Mounting Instructions have the third highest priority for reading.

#### **Have you found any errors or would you like to suggest changes?**

We are continuously striving to improve our documentation for you. Please help us by sending your suggestions to the following e-mail address:

**[userdoc@heidenhain.de](mailto:userdoc@heidenhain.de)**

## 1.4 Symbols and fonts used for marking text

In these instructions the following symbols and fonts are used for marking text:

Format	Meaning
▶ ... > ...	Identifies an action and the result of this action Example: ▶ Tilt the shipping brace to remove it <b>(c)</b> > The shipping brace has been removed now
■ ... ■ ...	Identifies an item of a list Example: ■ Solid contaminants: class 3 ■ Max. pressure dew point: class 4
<b>Bold</b>	Identifies elements in figures and illustrations, such as positions, dimensions and worksteps Example: <b>S</b> marks the beginning of the measuring length <b>(ML)</b> .

## 1.5 Notes in this documentation

### Safety precautions

Precautionary statements warn of hazards in handling the product and provide information on their prevention. Precautionary statements are classified by hazard severity and divided into the following groups:

#### DANGER

**Danger** indicates hazards for persons. If you do not follow the avoidance instructions, the hazard **will result in death or severe injury**.

#### WARNING

**Warning** indicates hazards for persons. If you do not follow the avoidance instructions, the hazard **could result in death or serious injury**.

#### CAUTION

**Caution** indicates hazards for persons. If you do not follow the avoidance instructions, the hazard **could result in minor or moderate injury**.

#### NOTICE

**Notice** indicates danger to material or data. If you do not follow the avoidance instructions, the hazard **could result in property damage**.

### Informational notes

Informational notes ensure reliable and efficient operation of the product. Informational notes are divided into the following groups:



The information symbol indicates a **tip**.  
A tip provides important additional or supplementary information.



The book symbol indicates a **cross reference**.  
A cross reference leads to external documentation, for example: further documentation from HEIDENHAIN or another supplier.

## 1.6 Units and tolerances

Unless otherwise specified, the dimensions stated in these Mounting Instructions are given in millimeters.

Unless otherwise specified, the tolerances stated in these Mounting Instructions conform to ISO 8015 and ISO 2768 standards.

mm



Tolerancing ISO 8015  
ISO 2768:1989-mH  
≤ 6 mm: ±0.2 mm

## 2 Safety

This chapter provides important safety information needed for the proper mounting and installation of the product.

### 2.1 Personnel qualification

Mounting, initial configuration and removal must be conducted by a qualified specialist under compliance with local safety regulations.

### 2.2 General safety precautions

#### **WARNING**

##### **Danger of electric shock due to connection to unsuitable downstream electronics!**

If you connect unsuitable downstream electronics to the product, fatal accidents or severe personal injuries can occur.

- ▶ Connect the product only to downstream electronics whose supply voltage comes from PELV systems

#### **WARNING**

##### **Live plug connections!**

If you disengage plug connections while the equipment is under power, this may result in fatal accidents or severe personal injury.

- ▶ Do not engage or disengage any connecting elements while the product is under power

#### **WARNING**

##### **Risk of injury from damaged or worn components!**

Safety functions can fail if damaged or worn components are installed. Failed safety functions can result in death or serious injury.

- ▶ Inspect the component for damage.
- ▶ Do not use any damaged or worn components
- ▶ In case of replacement, repair the thread
- ▶ Use new screws, spring pins and nuts
- ▶ Secure screws and nuts with suitable material-bonding anti-rotation lock

#### **NOTICE**

##### **Property damage due to mechanical stress!**

- ▶ Do not drop the product or subject it to major vibration
- ▶ Do not expose the product to mechanical stress
- ▶ Do not change the physical structure of the product

**NOTICE****Property damage due to electrical stress!**

- ▶ Do not engage or disengage any connecting elements while the product is under power
- ▶ Do not touch the contacts of the plug connections

**NOTICE****Electrostatic discharge (ESD)!**

This product contains electrostatic sensitive components that can be destroyed by electrostatic discharge (ESD).

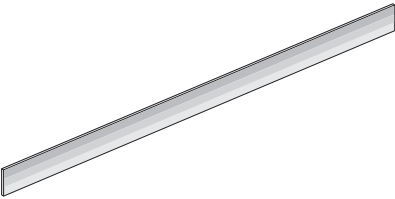
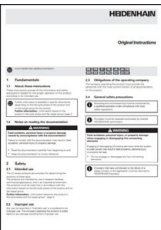

- ▶ It is essential to observe the safety precautions for handling ESD-sensitive components
- ▶ Never touch connector pins without ensuring proper grounding
- ▶ Wear a grounded ESD wristband when handling the connections of the product

### 3 Items supplied and accessories

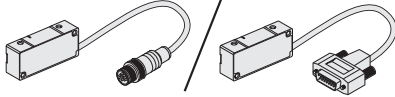
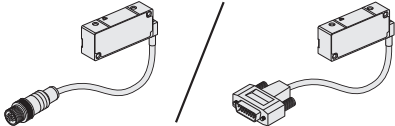
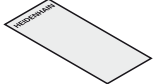
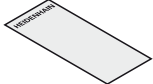
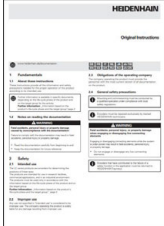

This chapter contains information on the items supplied and the available accessories of the product.

#### 3.1 Items supplied

##### 3.1.1 Included with the LIC 4009 scale tape

Component	Figure
Scale tape	
Operating Instructions	
Quality Inspection Document	

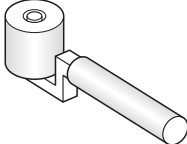
### 3.1.2 Included with the LIC 411, LIC 413, LIC 419 scanning head

Component	Figure
Scanning head	
or Scanning head with angled cable outlet	
Spacer shim 0.15 mm (not needed)	
Spacer shim 0.75 mm	
Operating Instructions	
Manufacturer's Inspection Document	

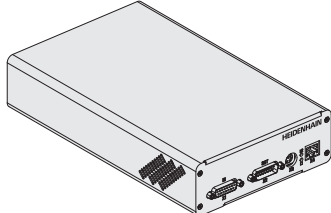
## 3.2 Mounting accessories

The following accessories can be obtained separately from HEIDENHAIN.

### 3.2.1 Accessories for mounting the scale tape

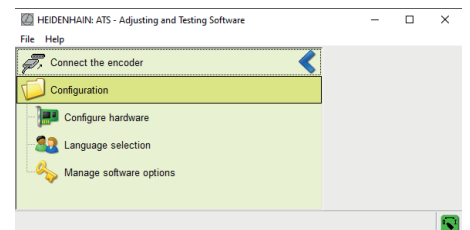
Designation	ID	Figure
Roller	276885-01	

### 3.2.2 Accessories for mounting the scanning head

Designation	ID	Figure
PWM 21 inspection device	1200635-51	

#### Adjusting and Testing Software (ATS)

The ATS software is available for download free of charge from [www.heidenhain.com/service/downloads/software/](http://www.heidenhain.com/service/downloads/software/).



## 4 Mounting

This chapter describes the mounting prerequisites, different mounting variants, and all other tasks necessary when mounting.

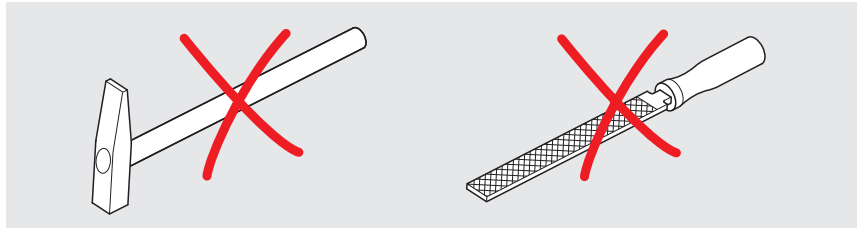
### 4.1 Prerequisites and notes

#### NOTICE

##### Property damage due to inappropriate tools!

Using inappropriate tools for mounting or removal of the encoder may cause damage to the encoder.

- ▶ Do not use hammers
- ▶ Do not use pointed or sharp-edged tools

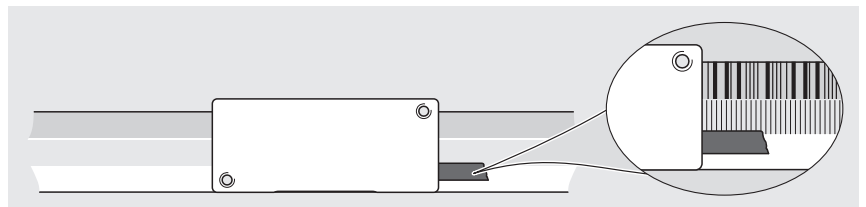
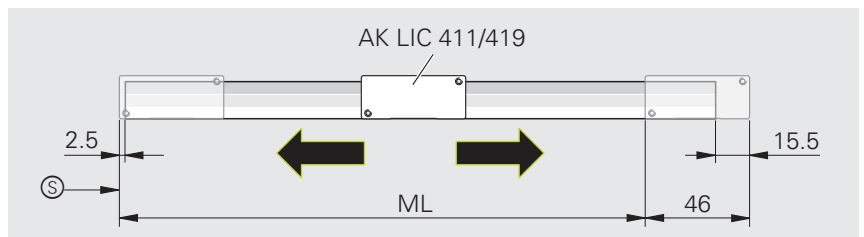


Choose a mounting attitude such that the traverse range is within the measuring length (**ML**) of the encoder. Protect the graduation from direct contamination.

**(S)** = Beginning of measuring length (**ML**)

In order to ensure correct operation of the encoder, the scale or scale tape must be positioned correctly relative to the scanning head.

Code track at top if cable outlet is to the right.



In order to avoid signal interferences, observe the minimum clearance from sources of interference.



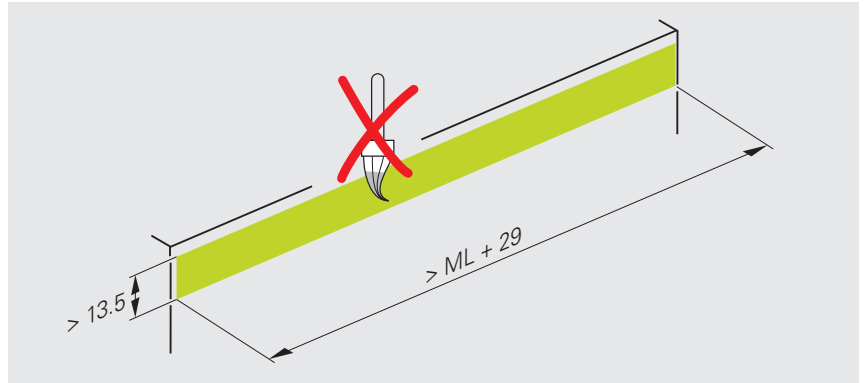
For more information on sources of interference, refer to the **Interfaces of HEIDENHAIN Encoders** brochure.

- ▶ [www.heidenhain.com/documentation](http://www.heidenhain.com/documentation)
- ▶ Enter the document ID **1078628**

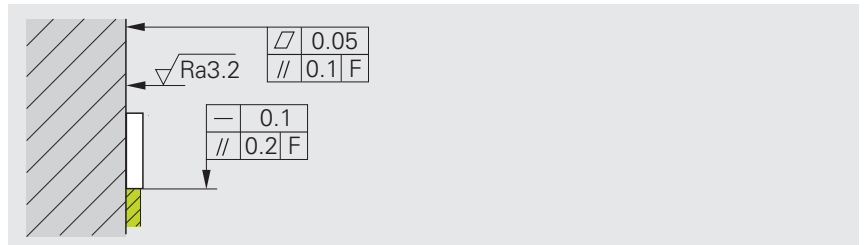
## 4.2 Mounting the scale tape

### 4.2.1 Mounting information

Note that the mounting surface, as well as the surface of the scale tape, must be clean and free of paint, dust or grease.



The mounting tolerances refer to the machine guideway (F).



### 4.2.2 Materials and tools

For this task, the following materials and tools are needed:

#### Included in delivery

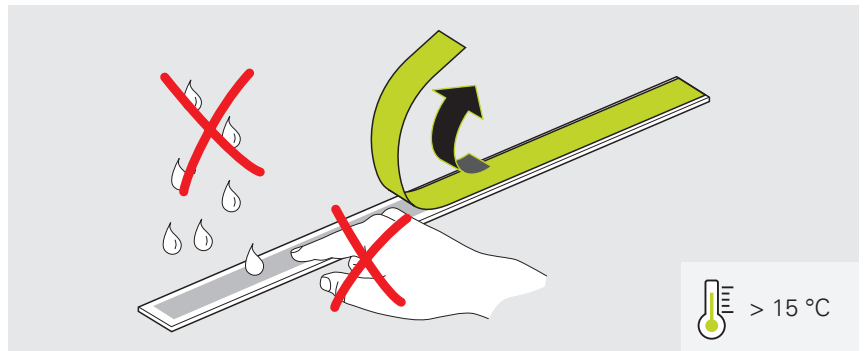
#### To be provided separately

- Aligning rail
- Roller

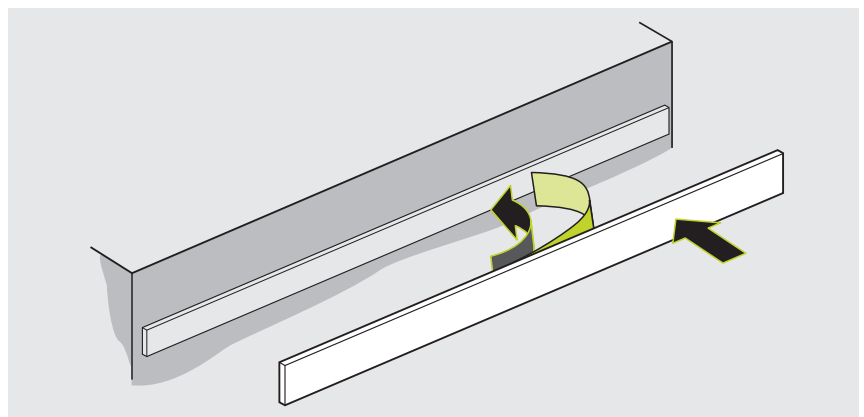
### 4.2.3 Bonding the scale tape

Attach the scale tape with adhesive mounting film only at a temperature of  $> 15\text{ }^{\circ}\text{C}$ .

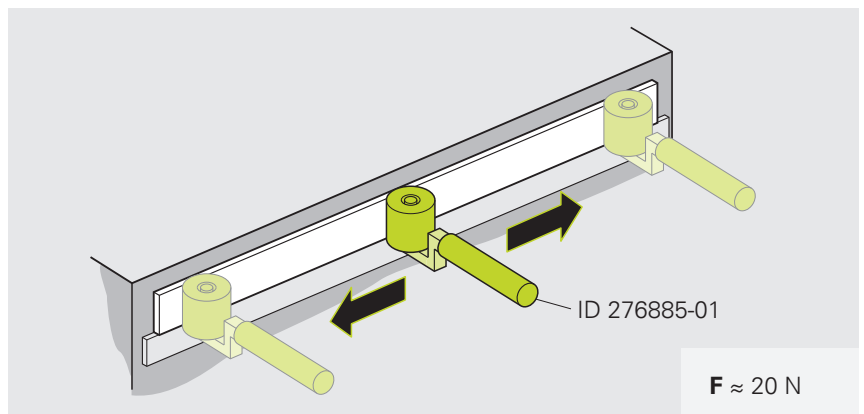
Pay attention to the expiration date on the package.



- ▶ Attach the aligning rail
- ▶ Remove about one-third of the protective foil from the adhesive film
- ▶ Gently glue the scale tape along the aligning rail. Remove the protective film while doing so

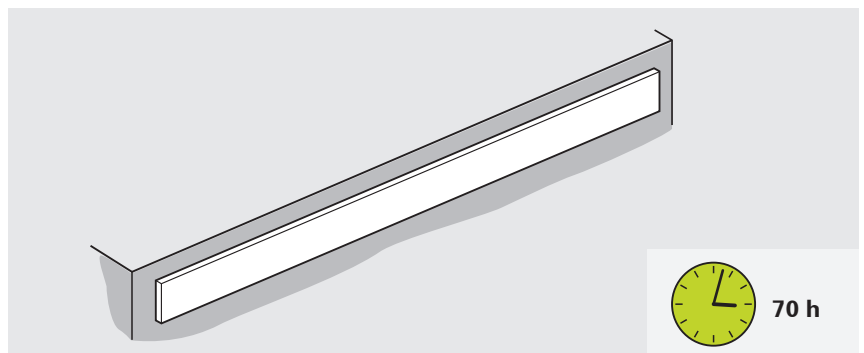


- ▶ Starting from the center, evenly press the scale tape onto the mounting surface using the roller
- ▶ Remove the aligning rail



- ▶ Do not perform further work on the scale tape until the maximum adhesive force has been reached

**i** The maximum adhesive force of the mounting film is reached at room temperature after approx. 70 hours.



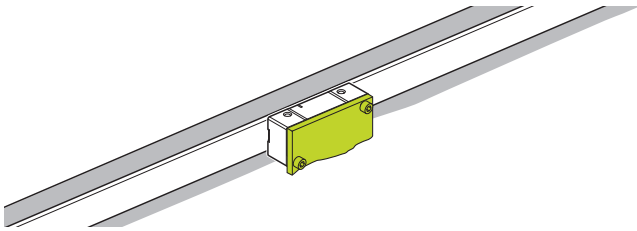
**Next step:** "Mounting the scanning head", Page 16

## 4.3 Mounting the scanning head

### 4.3.1 Choosing the mounting variant

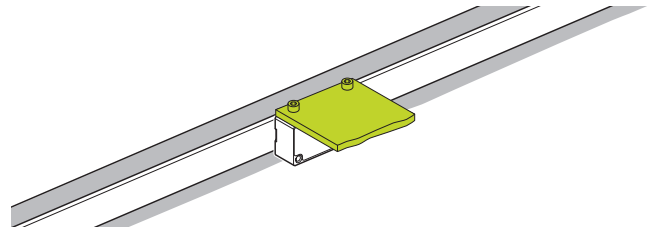
#### Mounting variants for the scanning head

Holder **on the side**



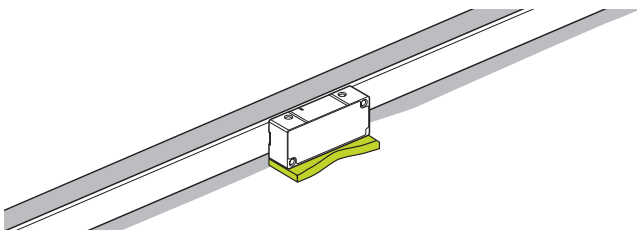
Page 17

Holder **at the top**



Page 21

Holder **at the bottom**

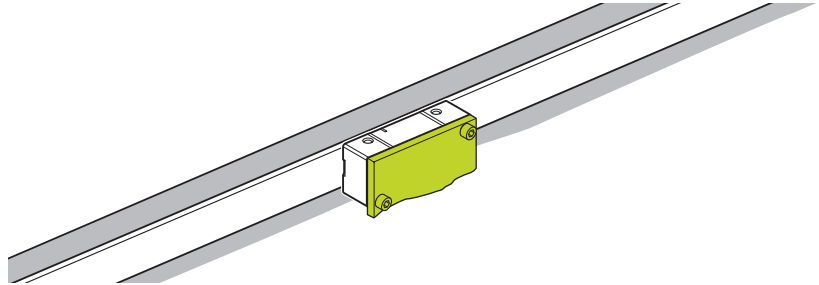


Page 25

### 4.3.2 Variant: Mounting with the holder on the side

The mounting variant in this chapter refers to mounting of the scanning head with the holder on the side.

An overview of the mounting variants is provided on Page 16.



#### Notes on mounting the scanning head with the holder on the side

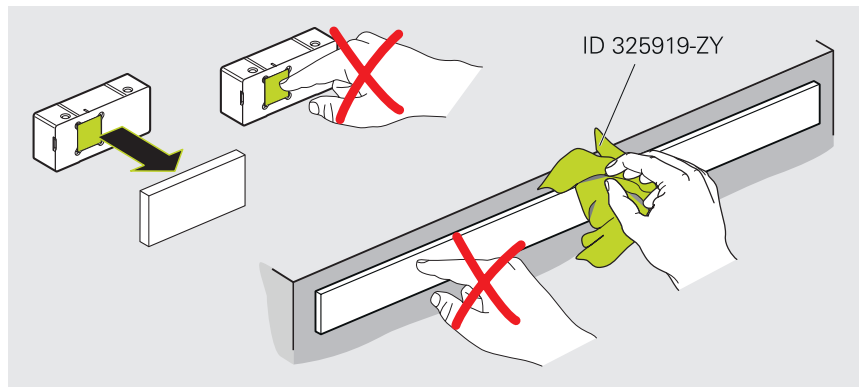
**i** The tightening torques of the mounting screws are only valid for mounting on steel.

**i** If necessary, clean the graduation and the scanning head with a lint-free cloth and isopropyl alcohol.

#### NOTICE

##### Property damage due to unsuitable cleaning agents!

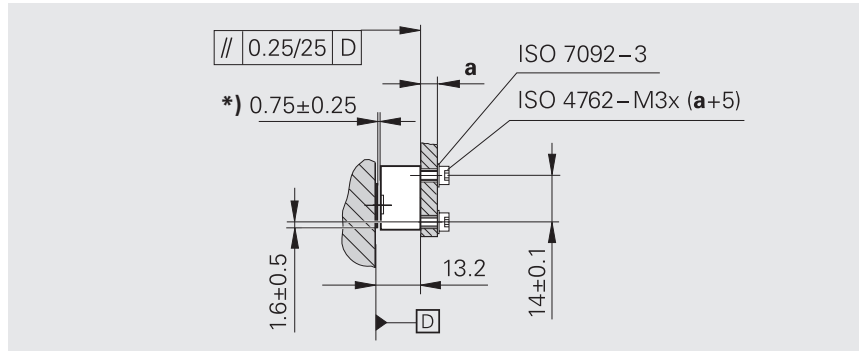
- ▶ Use only isopropyl alcohol to clean the encoder
- ▶ Clean the encoder with a lint-free cloth



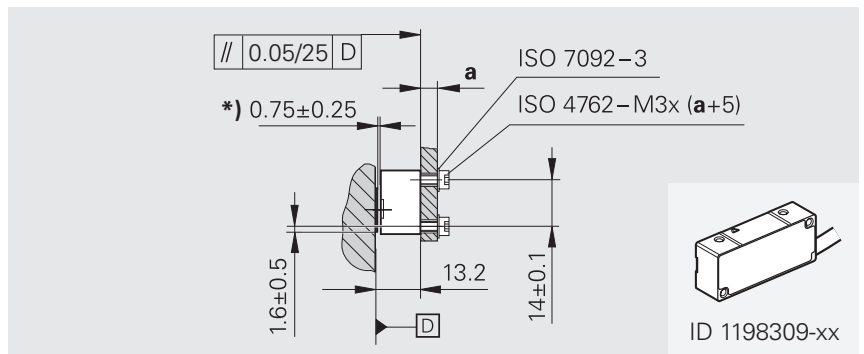
Pay attention to the mounting dimensions. Deviations from the mounting dimensions lead to imprecise measurement results during operation.

### Special case for ID 1196309-xx

Limited mounting tolerance resulting from deactivated code-connection expansion



\* ) Mounting clearance between the scanning head and graduation.



\* ) Mounting clearance between the scanning head and graduation.

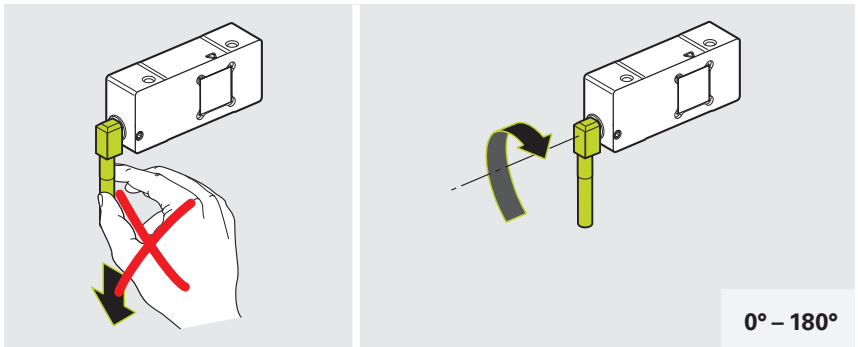
**Additional notes on mounting the scanning head with angled cable outlet**

**NOTICE**

**Property damage due to mechanical stress!**

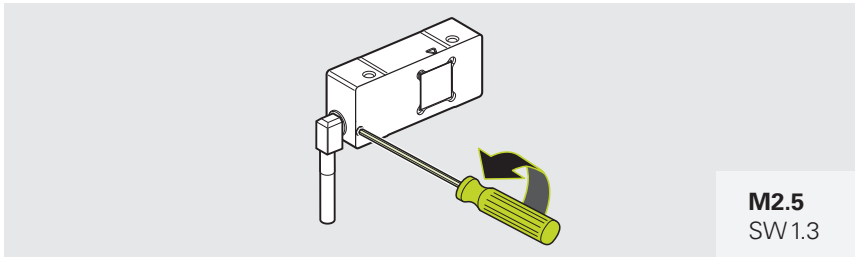
Exceeding the pivot range may damage the scanning head.

- Do not pull the cable
- Observe the maximum permissible pivot range of the adjustable cable (0° to 180°)
- Rotate the cable only a few times (less than 10)



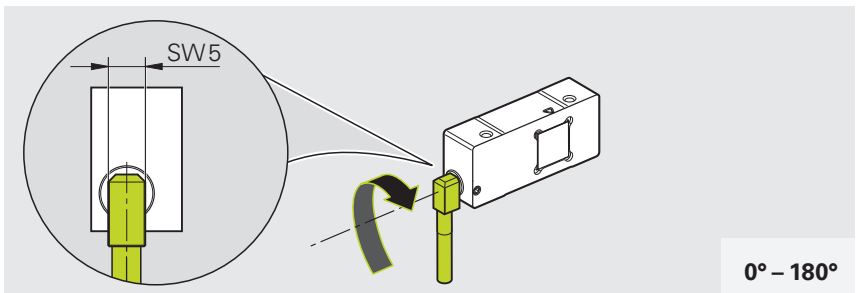
**Adjusting the angular position of the cable**

- ▶ Loosen the setscrew

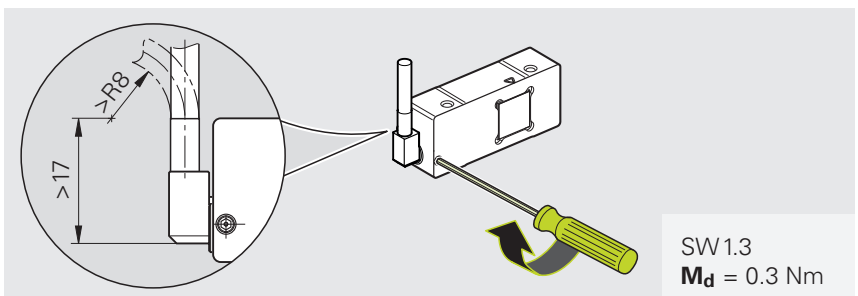


- ▶ Rotate the cable to the desired angular position

**i** If necessary, use a flat wrench to rotate the sleeve



- ▶ Tighten the setscrew with the specified torque



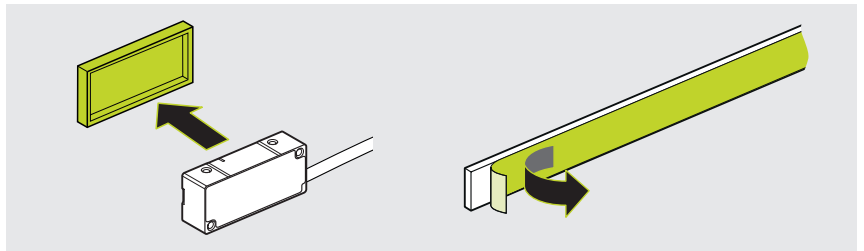
**Materials and tools**

For this task, the following materials and tools are needed:

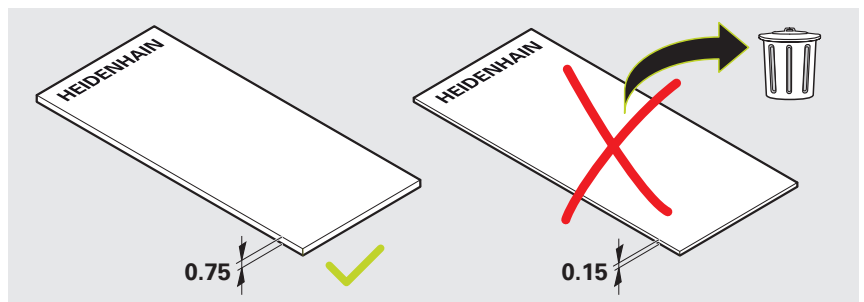
<p><b>Included in delivery</b></p> <ul style="list-style-type: none"> <li>■ Spacer shim</li> </ul>	<p><b>To be provided separately</b></p> <ul style="list-style-type: none"> <li>■ Two screws (ISO 4762–M3×(a+5))</li> <li>■ Two washers (ISO 7092–3)</li> <li>■ Torque wrench (hexagon socket for 2.5 mm)</li> </ul>
--	---

**Mounting the scanning head**

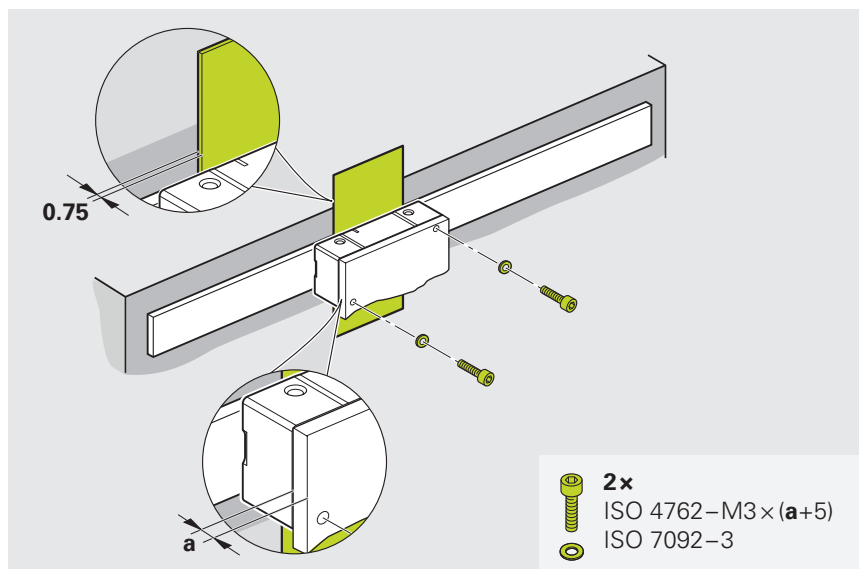
- ▶ If necessary, remove the protective cap from the scanning head
- ▶ If necessary, remove the protective film from the scale tape



- ▶ Prepare the spacer shim



- ▶ Use the spacer shim to set the mounting clearance
- ▶ Lightly screw on the scanning head
- ▶ Remove the spacer shim

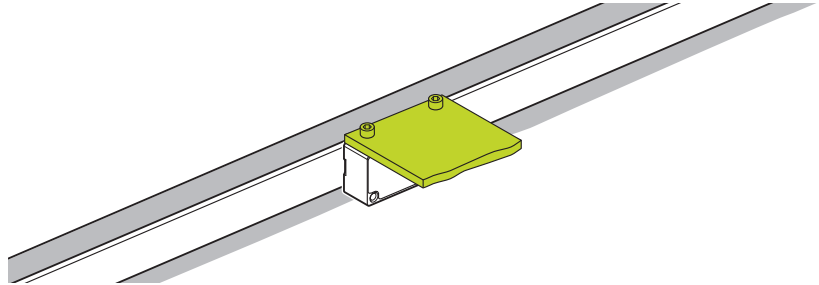


**Next step:** "Adjustment and diagnosis", Page 29

### 4.3.3 Variant: Mounting with the holder at top

The mounting variant in this chapter refers to mounting of the scanning head with the holder at top.

An overview of the mounting variants is provided on Page 16.



#### Notes on mounting the scanning head with the holder at top

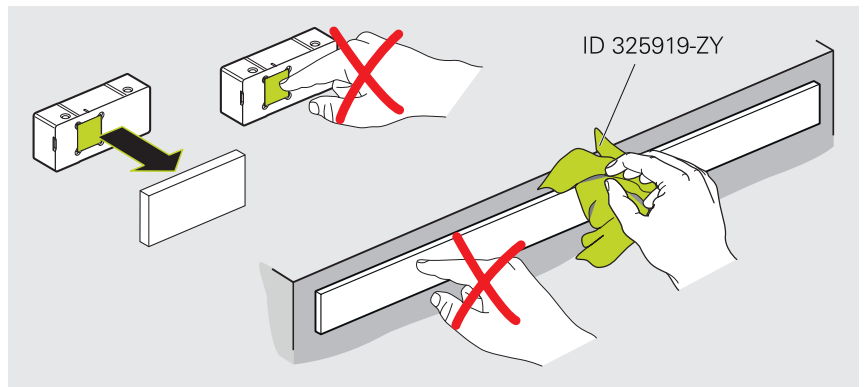
**i** The tightening torques of the mounting screws are only valid for mounting on steel.

**i** If necessary, clean the graduation and the scanning head with a lint-free cloth and isopropyl alcohol.

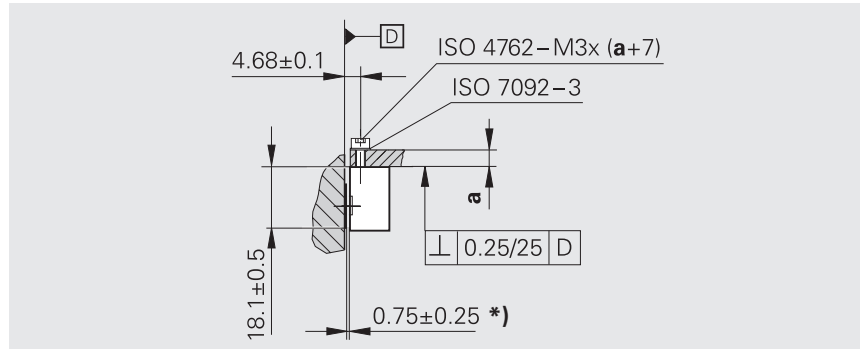
**NOTICE**

**Property damage due to unsuitable cleaning agents!**

- ▶ Use only isopropyl alcohol to clean the encoder
- ▶ Clean the encoder with a lint-free cloth



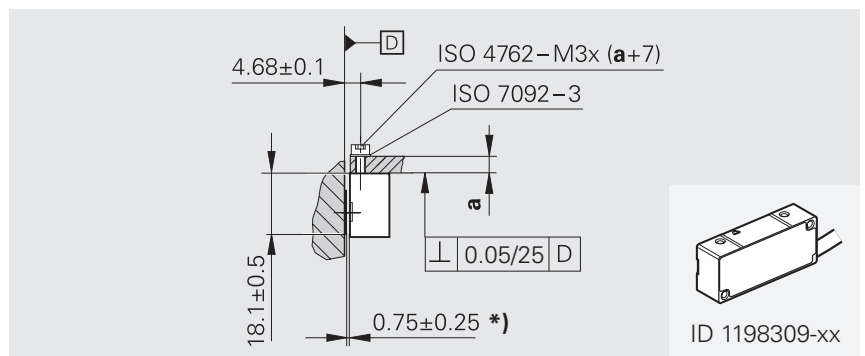
Pay attention to the mounting dimensions. Deviations from the mounting dimensions lead to imprecise measurement results during operation.



\*) Mounting clearance between the scanning head and graduation.

### Special case for ID 1196309-xx

Limited mounting tolerance resulting from deactivated code-connection expansion



\*) Mounting clearance between the scanning head and graduation.

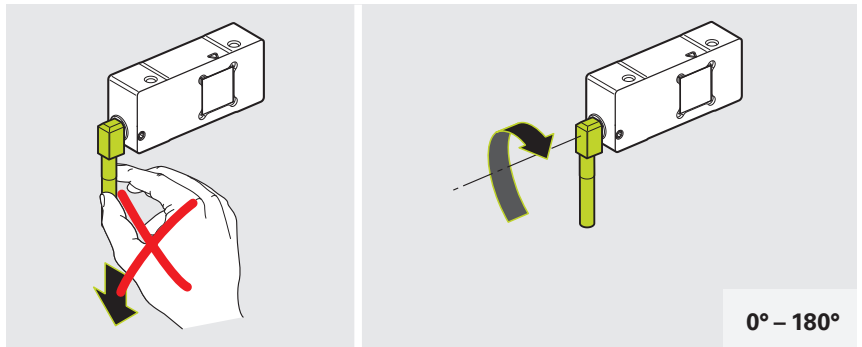
**Additional notes on mounting the scanning head with angled cable outlet**

**NOTICE**

**Property damage due to mechanical stress!**

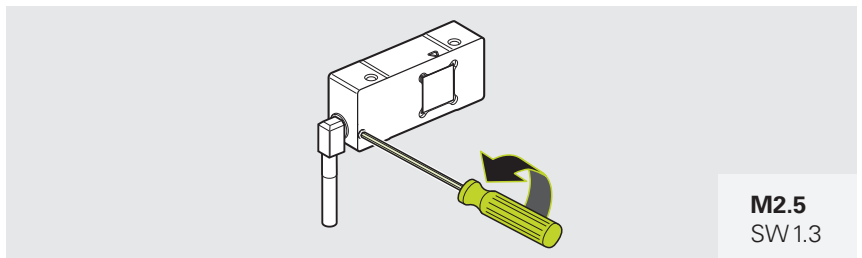
Exceeding the pivot range may damage the scanning head.

- Do not pull the cable
- Observe the maximum permissible pivot range of the adjustable cable (0° to 180°)
- Rotate the cable only a few times (less than 10)



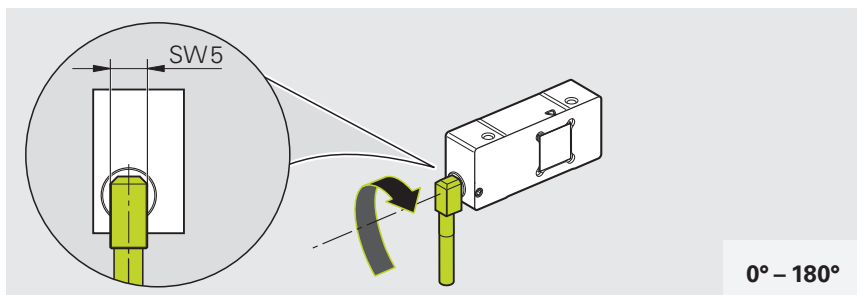
**Adjusting the angular position of the cable**

- ▶ Loosen the setscrew

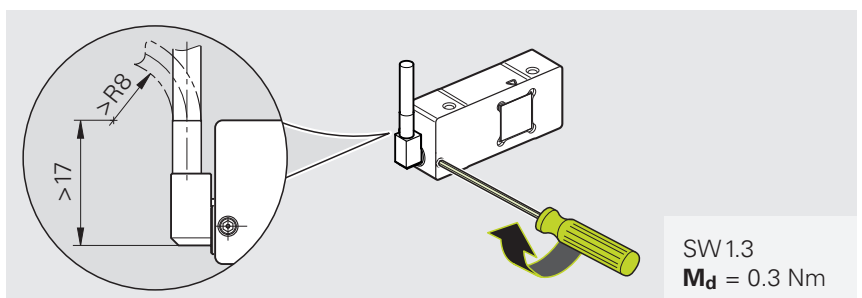


- ▶ Rotate the cable to the desired angular position

**i** If necessary, use a flat wrench to rotate the sleeve



- ▶ Tighten the setscrew with the specified torque



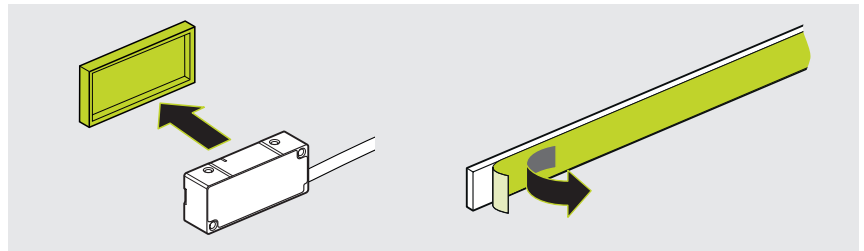
**Materials and tools**

For this task, the following materials and tools are needed:

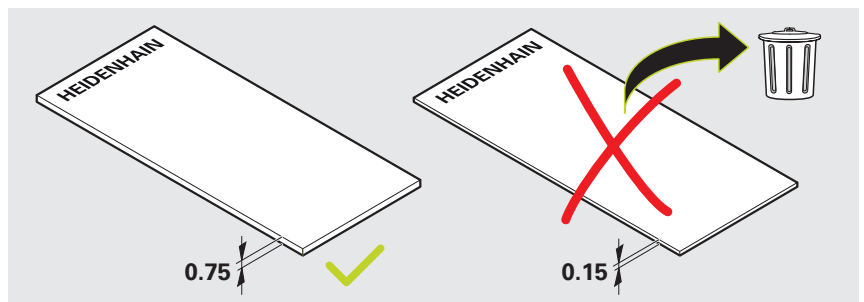
Included in delivery	To be provided separately
<ul style="list-style-type: none"> <li>■ Spacer shim</li> </ul>	<ul style="list-style-type: none"> <li>■ Two screws (ISO 4762-M3x(a+7))</li> <li>■ Two washers (ISO 7092-3)</li> <li>■ Torque wrench (hexagon socket for 2.5 mm)</li> </ul>

### Mounting the scanning head

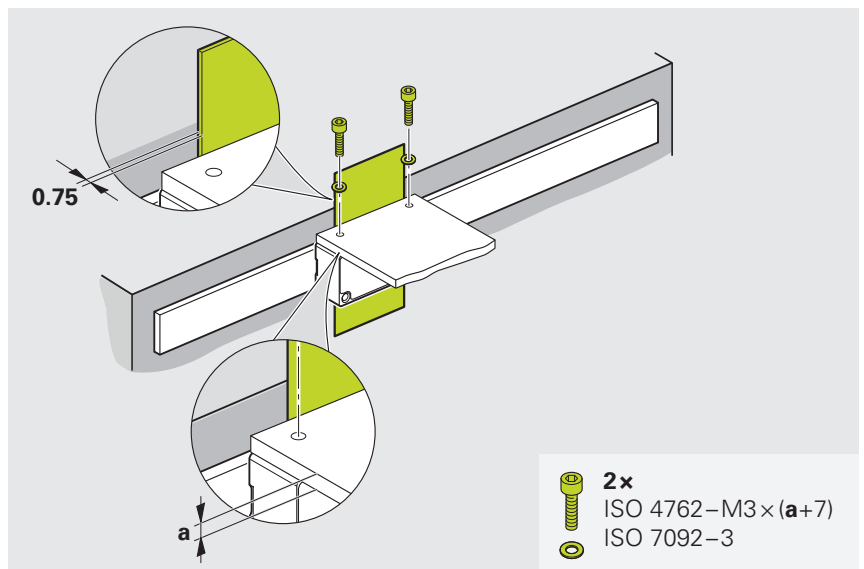
- ▶ If necessary, remove the protective cap from the scanning head
- ▶ If necessary, remove the protective film from the scale tape



- ▶ Prepare the spacer shim



- ▶ Use the spacer shim to set the mounting clearance
- ▶ Lightly screw on the scanning head
- ▶ Remove the spacer shim

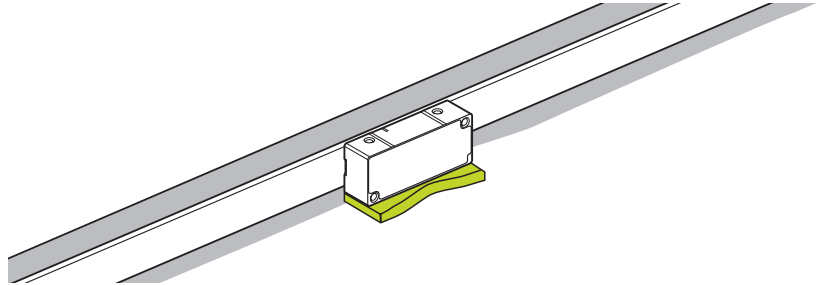


**Next step:** "Adjustment and diagnosis", Page 29

### 4.3.4 Variant: Mounting with the holder at bottom

The mounting variant in this chapter refers to mounting of the scanning head with the holder at bottom.

An overview of the mounting variants is provided on Page 16.



#### Notes on mounting the scanning head with the holder at bottom

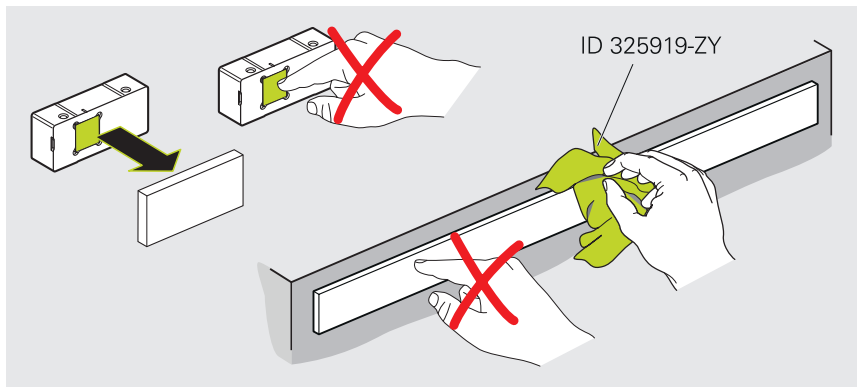
**i** The tightening torques of the mounting screws are only valid for mounting on steel.

**i** If necessary, clean the graduation and the scanning head with a lint-free cloth and isopropyl alcohol.

**NOTICE**

**Property damage due to unsuitable cleaning agents!**

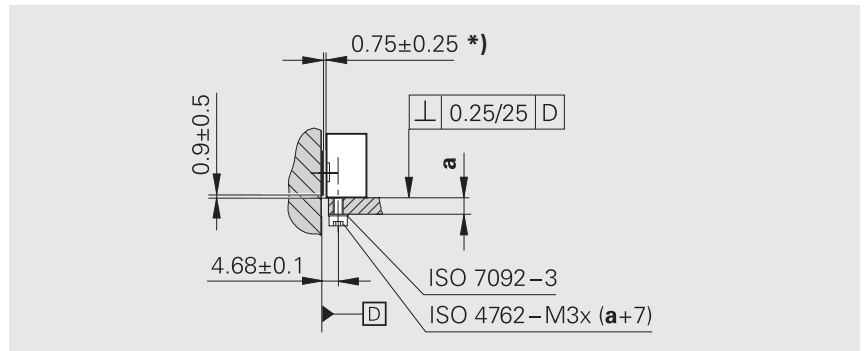
- ▶ Use only isopropyl alcohol to clean the encoder
- ▶ Clean the encoder with a lint-free cloth



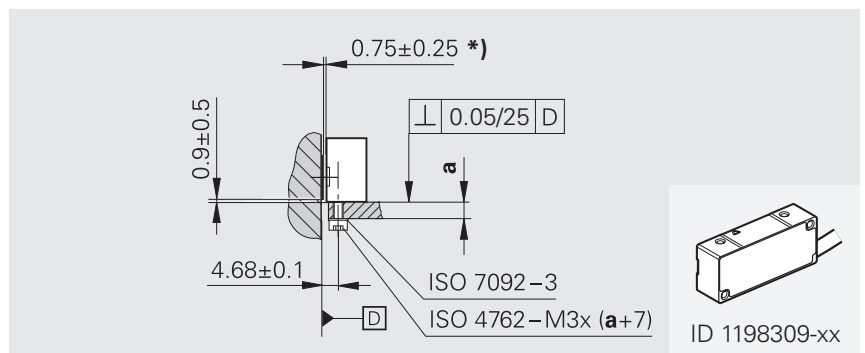
Pay attention to the mounting dimensions. Deviations from the mounting dimensions lead to imprecise measurement results during operation.

### Special case for ID 1196309-xx

Limited mounting tolerance resulting from deactivated code-connection expansion



\*) Mounting clearance between the scanning head and graduation.



\*) Mounting clearance between the scanning head and graduation.

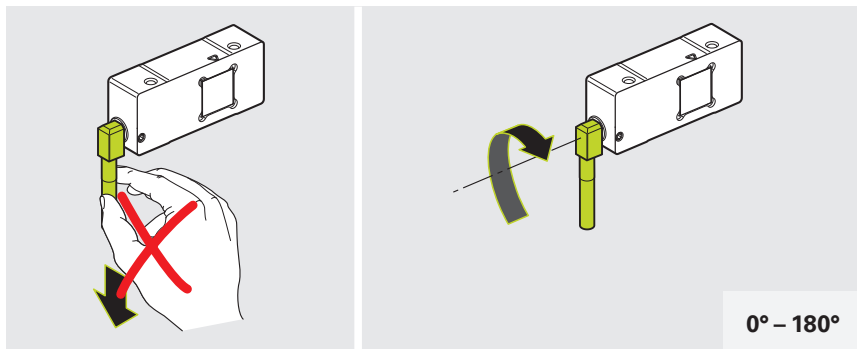
**Additional notes on mounting the scanning head with angled cable outlet**

**NOTICE**

**Property damage due to mechanical stress!**

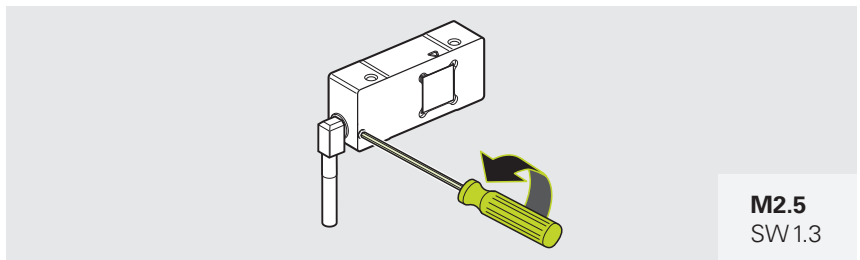
Exceeding the pivot range may damage the scanning head.

- Do not pull the cable
- Observe the maximum permissible pivot range of the adjustable cable (0° to 180°)
- Rotate the cable only a few times (less than 10)



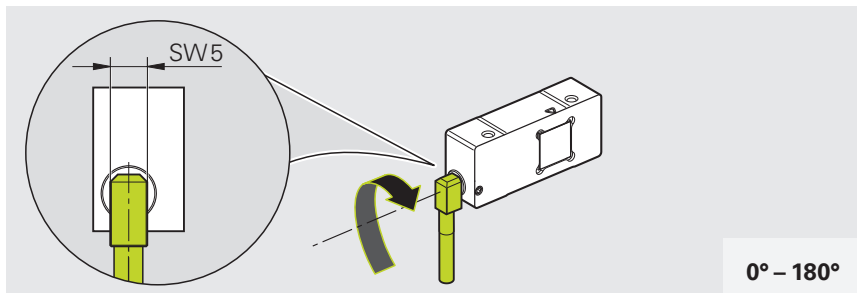
**Adjusting the angular position of the cable**

- ▶ Loosen the setscrew

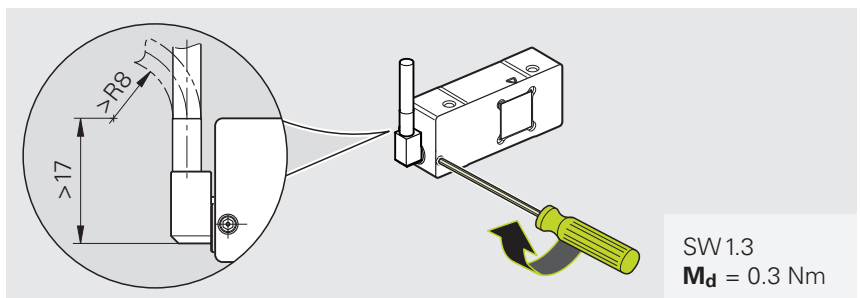


- ▶ Rotate the cable to the desired angular position

**i** If necessary, use a flat wrench to rotate the sleeve



- ▶ Tighten the setscrew with the specified torque



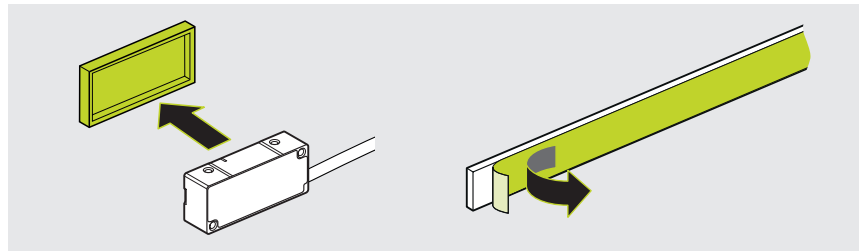
**Materials and tools**

For this task, the following materials and tools are needed:

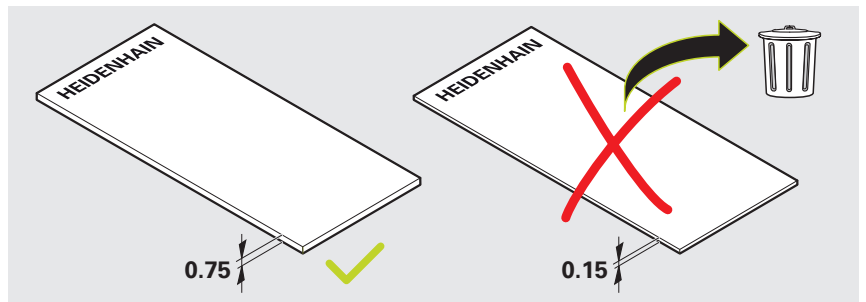
Included in delivery	To be provided separately
<ul style="list-style-type: none"> <li>■ Spacer shim</li> </ul>	<ul style="list-style-type: none"> <li>■ Two screws (ISO 4762–M3×(a+7))</li> <li>■ Two washers (ISO 7092–3)</li> <li>■ Torque wrench (hexagon socket for 2.5 mm)</li> </ul>

**Mounting the scanning head**

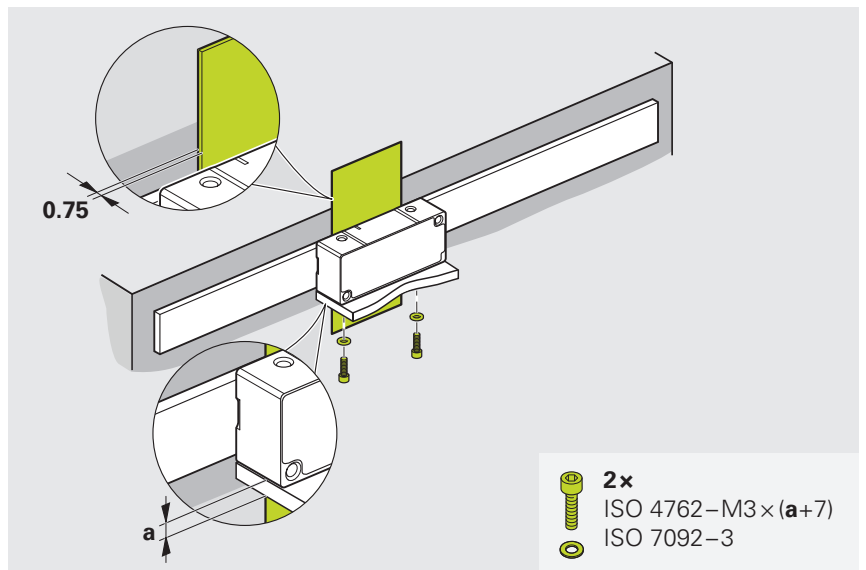
- ▶ If necessary, remove the protective cap from the scanning head
- ▶ If necessary, remove the protective film from the scale tape



- ▶ Prepare the spacer shim



- ▶ Use the spacer shim to set the mounting clearance
- ▶ Lightly screw on the scanning head
- ▶ Remove the spacer shim



**Next step:** "Adjustment and diagnosis", Page 29



## 5.3 Connecting the encoder to the ATS

### 5.3.1 Connecting the encoder

- ▶ Connect the encoder to the PWM 21
- ▶ Switch on the PWM 21

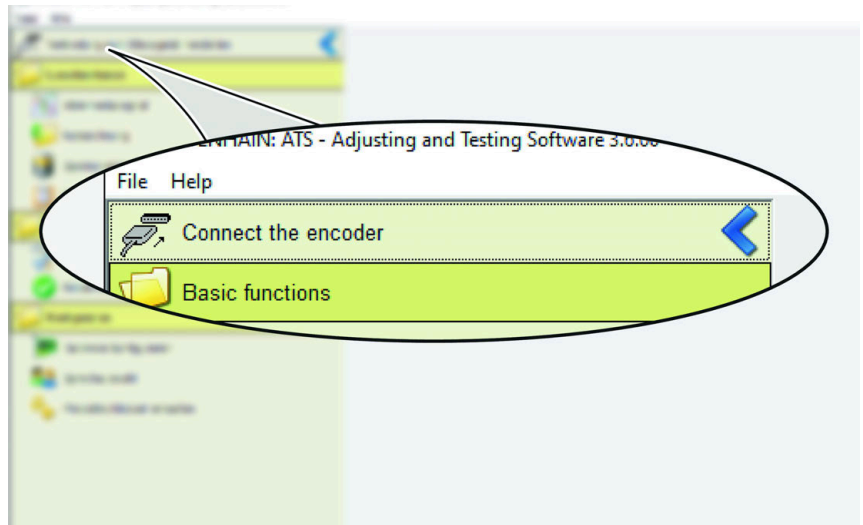
### 5.3.2 Select connection

#### Connection options

Connecting the encoder using its ID	Connecting the encoder manually
Recommended option with automatic determination of the measuring parameters.	Alternative option if the encoder cannot be connected using its ID.
<b>Page 31</b>	<b>Page 32</b>

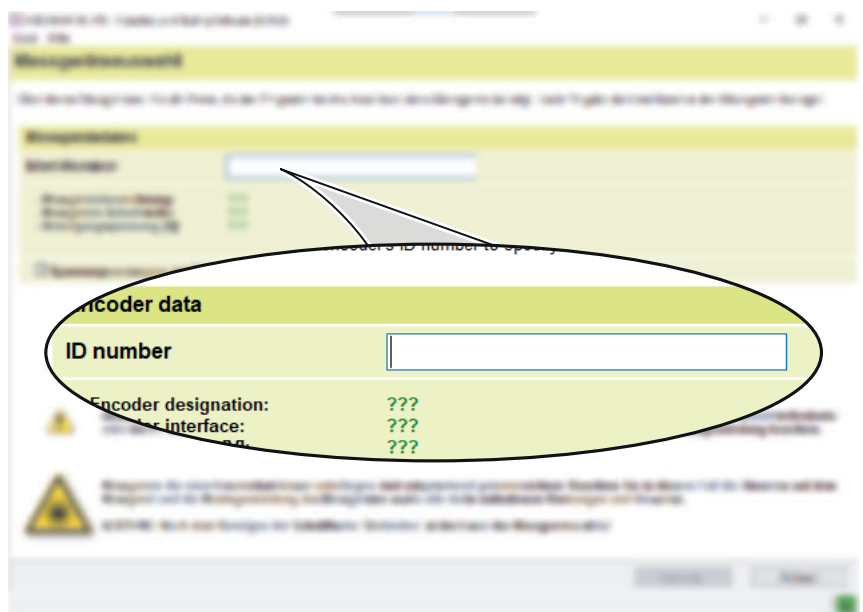
### 5.3.3 Connecting the encoder using its ID

- ▶ Double-click **Connect the encoder** in the function menu
- ▶ The **Encoder selection** dialog opens



Function menu

- ▶ Enter the encoder ID in the **ID number** field
- ▶ The determined encoder parameters are shown in the **Encoder data** field.
- ▶ Click **Connect**
- ▶ The connection to the encoder is established.



Encoder selection dialog

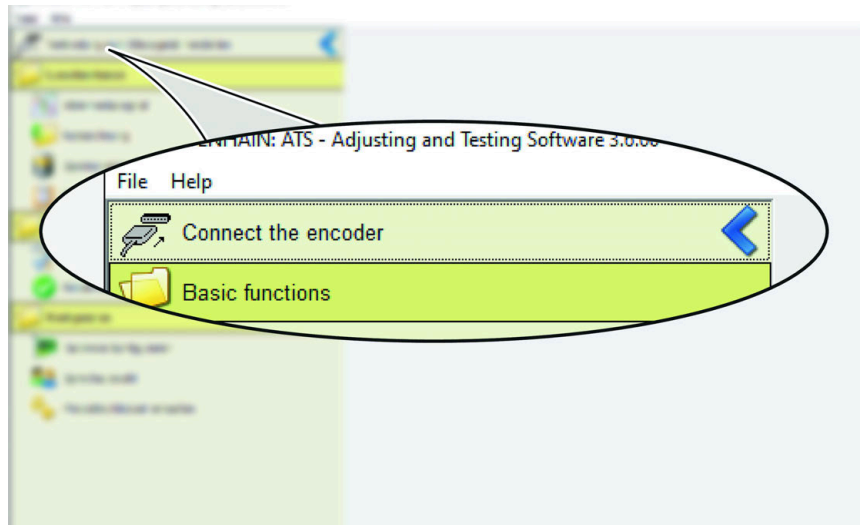
- ▶ **LIC 411, LIC 419x scanning head:** The **Function menu** opens.
- Next step:** "Mounting the LIC 411 or LIC 419x scanning head", Page 36
- ▶ **LIC 413 scanning head:** The **position display** opens.
- Next step:** "Mounting the LIC 413 scanning head", Page 38
- ▶ **LIC 413 scanning head in bus operation:** The **overview of bus addresses** opens.
- Next step:** "Mounting the LIC 413 scanning head in bus operation", Page 41



If you cannot connect the encoder using its ID, proceed as described in the "**Connecting the encoder manually**" chapter.

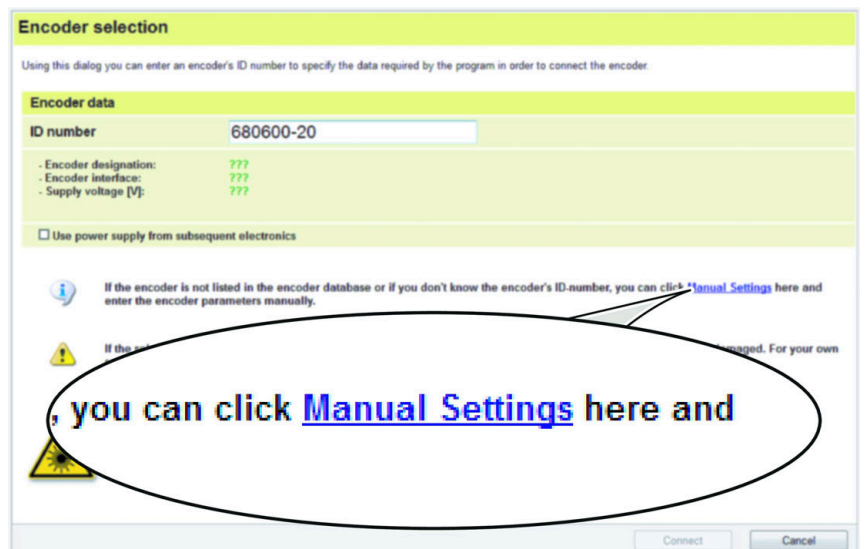
### 5.3.4 Connecting the encoder manually

- ▶ Double-click **Connect the encoder** in the function menu
- ▶ The **Encoder selection** dialog opens.



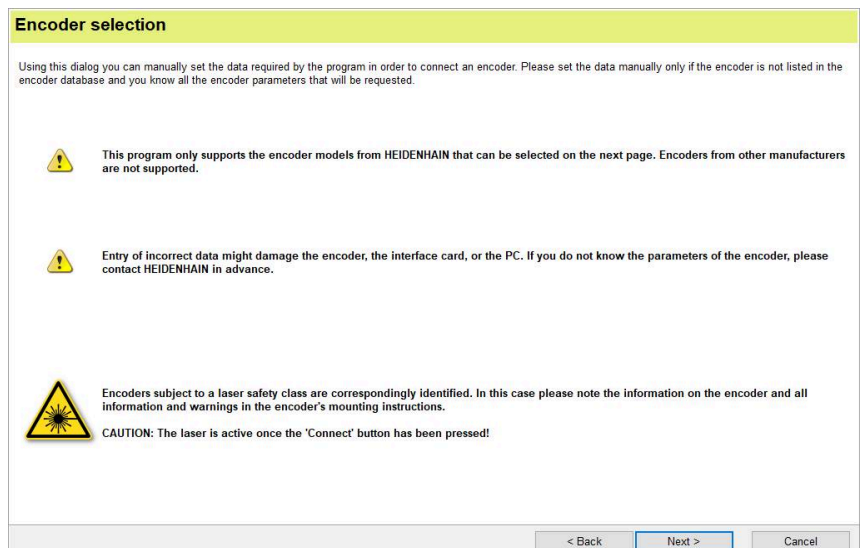
Function menu

- ▶ Click **Manual Settings**
- ▶ The **Encoder selection** dialog opens.



Encoder selection dialog

- ▶ Follow the safety instructions
- ▶ Click **Next**
- ▶ The **Encoder selection** dialog opens.



Encoder selection dialog



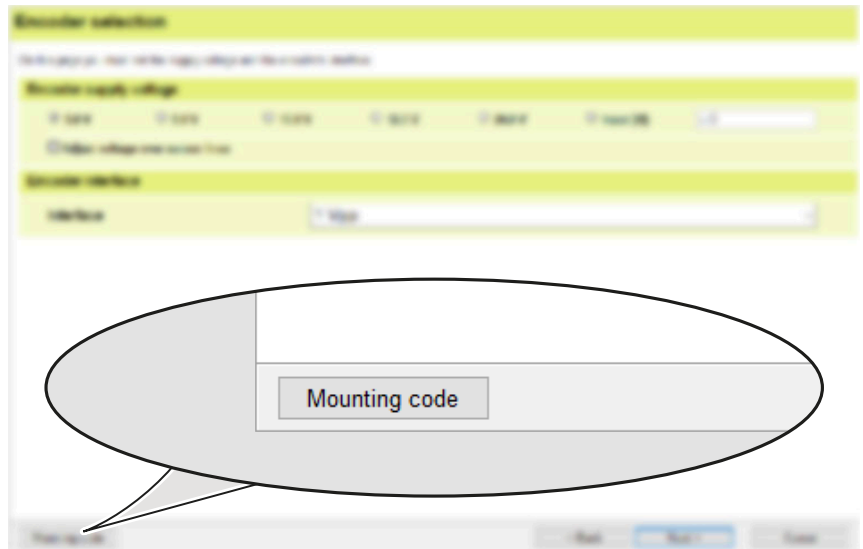
For more information on the supply voltage and interfaces, refer to the **Exposed Linear Encoders** brochure.

- ▶ [www.heidenhain.com/documentation](http://www.heidenhain.com/documentation)
- ▶ Enter the document ID **208960**

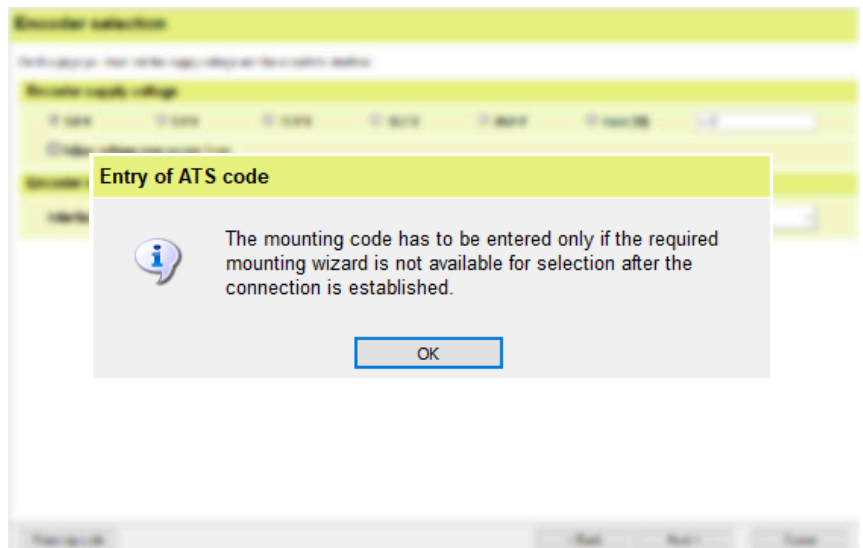
- ▶ Select the permissible encoder supply voltage in the **Encoder supply voltage** section
- ▶ If necessary, deactivate **Adjust voltage over sensor lines**
- ▶ Select the interface type in the **Encoder interface** section  
If the EnDat 3 interface is selected, the mounting code is entered automatically. Click **Next** and continue with the chapter "Mounting the LIC 413 scanning head" or "Mounting the LIC 413 scanning head in bus operation".

If a different interface was selected:

- ▶ Click **Mounting code**
- ▶ The **Entry of ATS code** message appears.
- ▶ Click **OK**
- ▶ The **Encoder selection** dialog with the mounting code opens.



Encoder selection dialog



The **Entry of ATS code** note

- ▶ For the **Mounting code**, enter the value:  
LIC 411: E001-A005 LIC 413:  
E003-A005 LIC 419x: E002-A005
- ▶ Click **Next**
- > The **Encoder selection** dialog with the encoder data opens.

Encoder selection dialog with the mounting code

## NOTICE

### Property damage due to incorrect data settings!

Incorrect data settings can cause damage to the interface card or the PC.

- ▶ Before connecting the encoder, check the encoder data

Encoder interface:	EnDat22	EnDat3
Supply voltage [V]:	5.0	12.0
Voltage adjustment:	No	No

- ▶ Click **Connect**
- > The connection to the encoder is established.

The **Encoder selection** dialog with the encoder data

- > **LIC 411, LIC 419x scanning head:** The **Function menu** opens.
- Next step:** "Mounting the LIC 411 or LIC 419x scanning head", Page 36
- > **LIC 413 scanning head:** The **position display** opens.
- Next step:** "Mounting the LIC 413 scanning head", Page 38
- > **LIC 413 scanning head in bus operation:** The **overview of bus addresses** opens.
- Next step:** "Mounting the LIC 413 scanning head in bus operation", Page 41

## 5.4 Mounting the scanning head

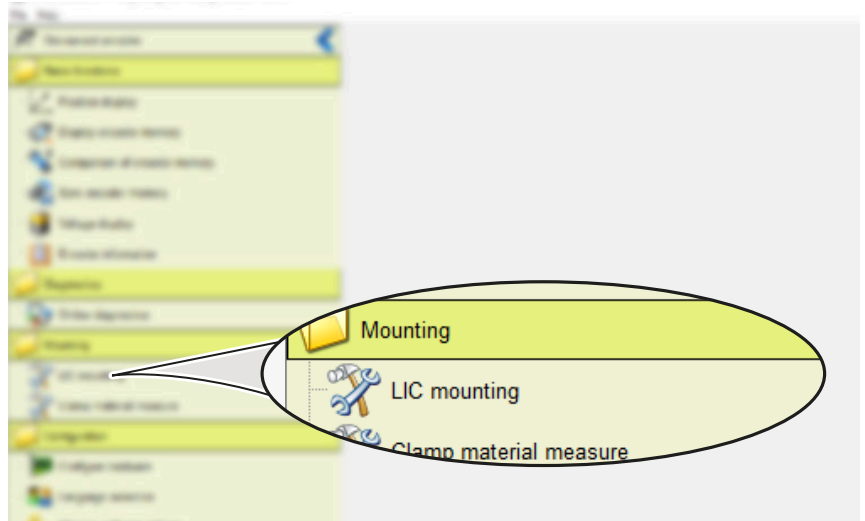
### 5.4.1 Selecting the scanning head

Scanning head variants		
LIC 411, LIC 419x	LIC 413	LIC 413 in bus operation
Scanning head with the EnDat 2.2, Fanuc, Mitsubishi, Panasonic or Yaskawa interface <b>Page 36</b>	Scanning head with the EnDat 3 interface <b>Page 38</b>	Scanning head with the EnDat 3 interface in bus operation <b>Page 41</b>

## 5.4.2 Mounting the LIC 411 or LIC 419x scanning head

### Using the mounting wizard

- ▶ Double-click **LIC mounting**
- ▶ The **Mounting wizard** opens.



### Function menu

Adjust the scanning head in the area of the midpoint of the measuring length.

- ▶ Set the absolute track to the maximum attainable bar length by slightly turning the scanning head
- ▶ Tighten the screws with the specified torque
- ▶ Click **Next**
- ▶ The **Step 2: Verify mounting** dialog opens.

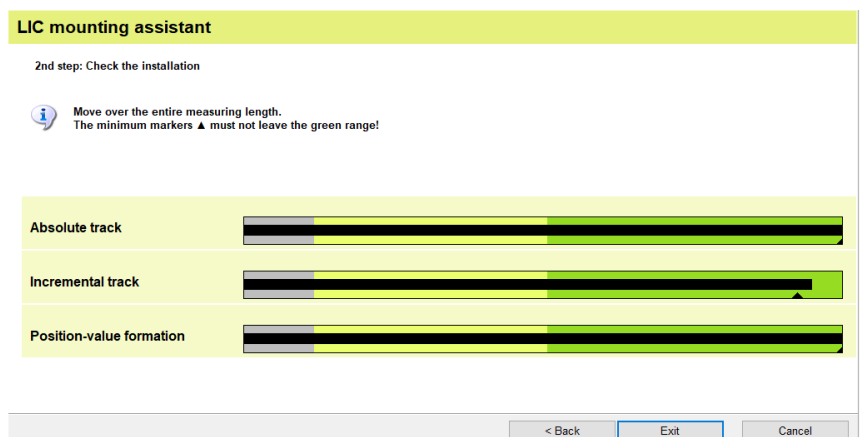
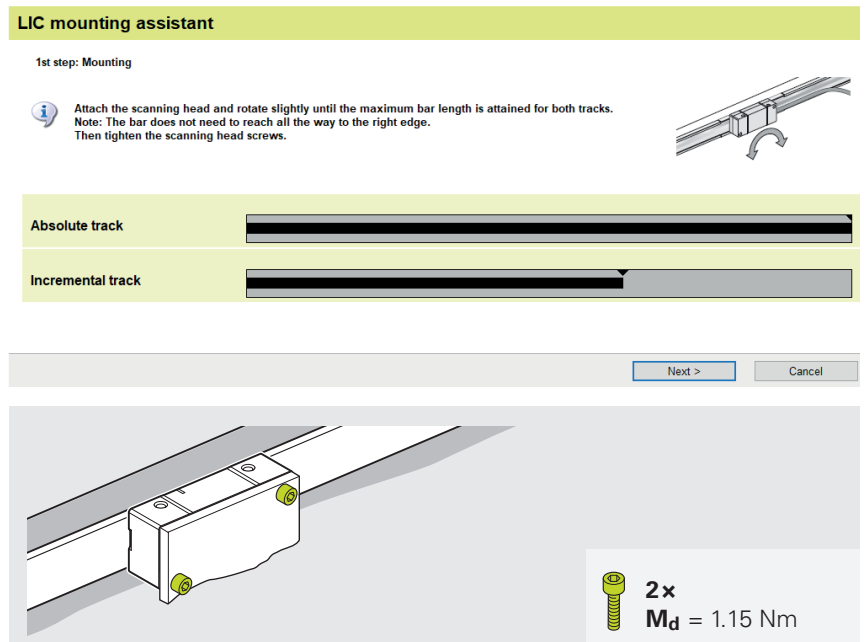
**i** If an error message occurs, it is because the maximum incremental signal was not achieved.

- ▶ Repeat the installation

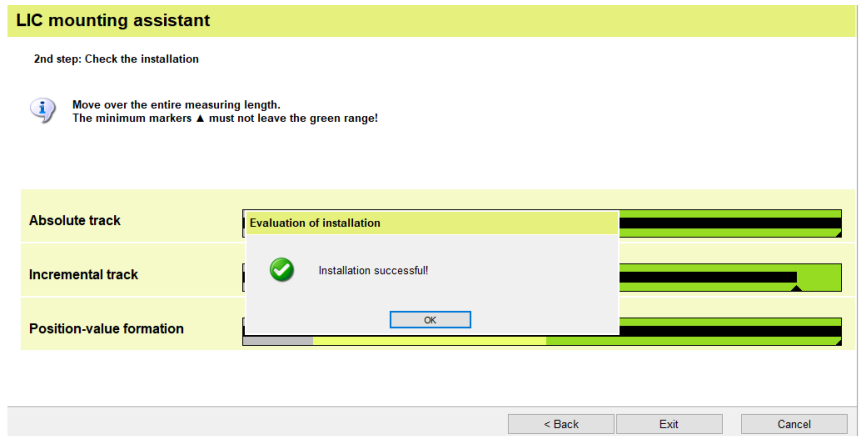
- ▶ Traverse the scanning head over the entire measuring length
- ▶ Ensure that the minimum markers remain within the green areas

**i** If the green ranges are not reached or if strong signal fluctuations occur over the entire measuring length, check the mounting tolerances and inspect for contamination.

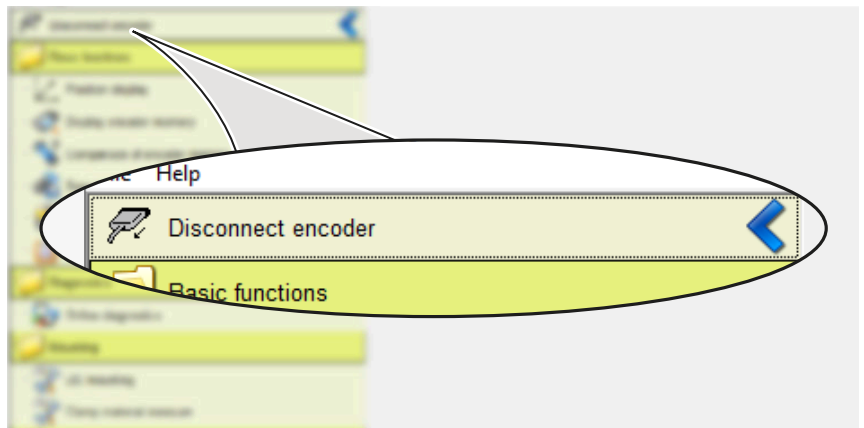
- ▶ Click **Exit**
- ▶ The **Installation successful** message appears.



- ▶ Click **OK**
- > The **Function menu** opens.
- > Mounting was successfully concluded.



- ▶ Double-click **Disconnect encoder**

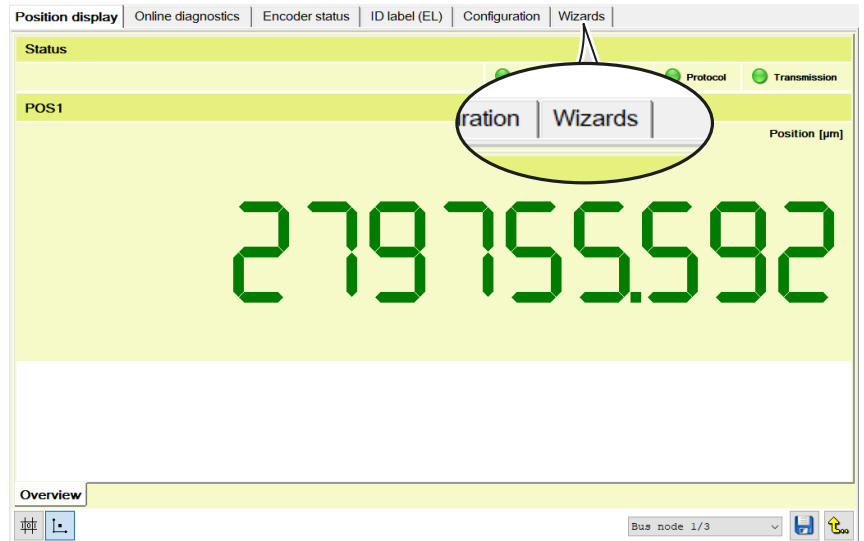


**Next step** "Final steps", Page 44

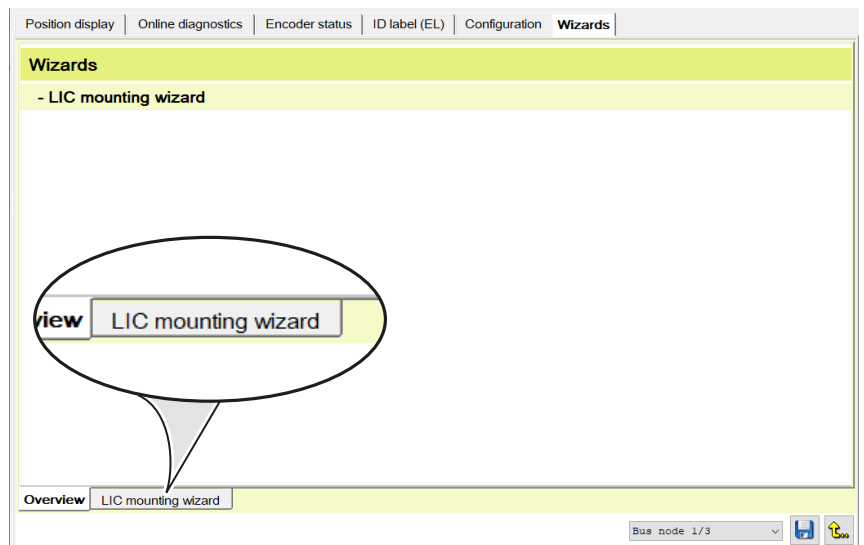
### 5.4.3 Mounting the LIC 413 scanning head

#### Using the mounting wizard

- ▶ Click **Wizards**



- ▶ Click **LIC mounting wizard**
- ▶ The **Step 1: Mounting** dialog opens.



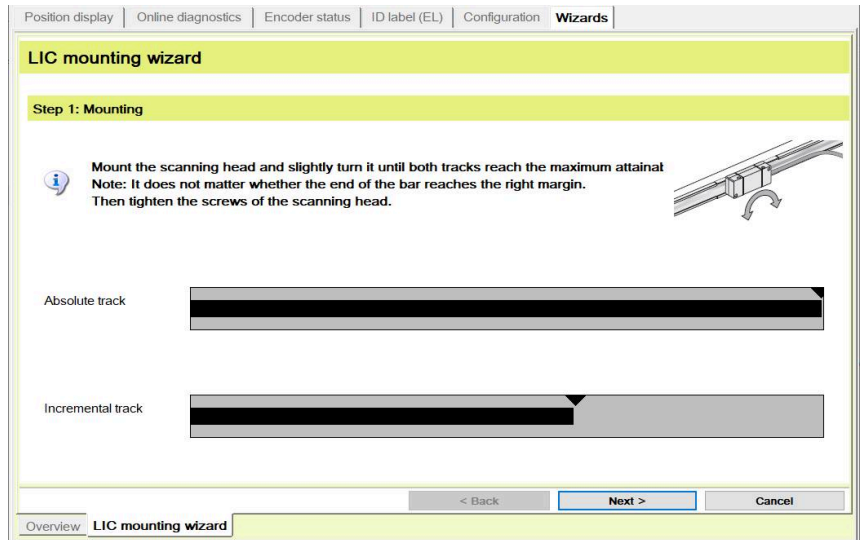
Adjust the scanning head in the area of the midpoint of the measuring length.

- ▶ Set the absolute track to the maximum attainable bar length by slightly turning the scanning head
- ▶ Tighten the screws with the specified torque
- ▶ Click **Next**
- ▶ The **Step 2: Verify mounting** dialog opens.



If an error message occurs, it is because the maximum incremental signal was not achieved.

- ▶ Repeat the installation

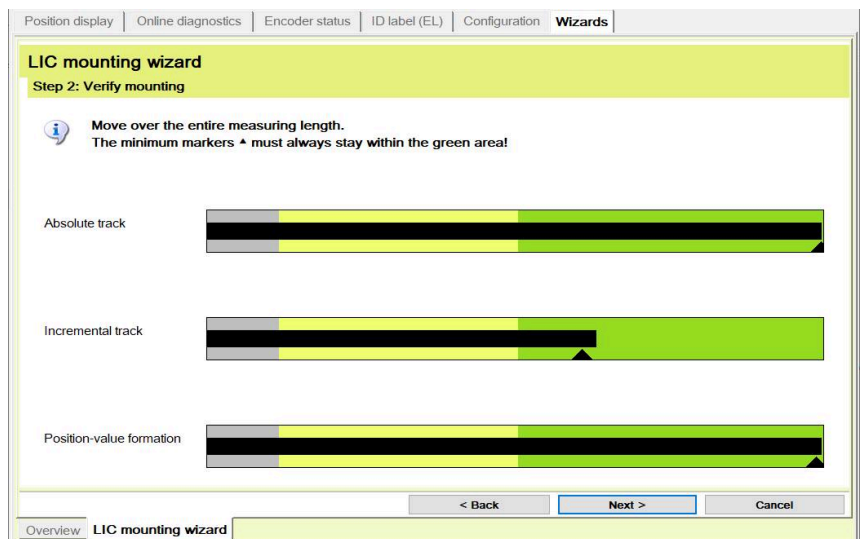


- ▶ Traverse the scanning head over the entire measuring length
- ▶ Ensure that the minimum markers remain within the green areas

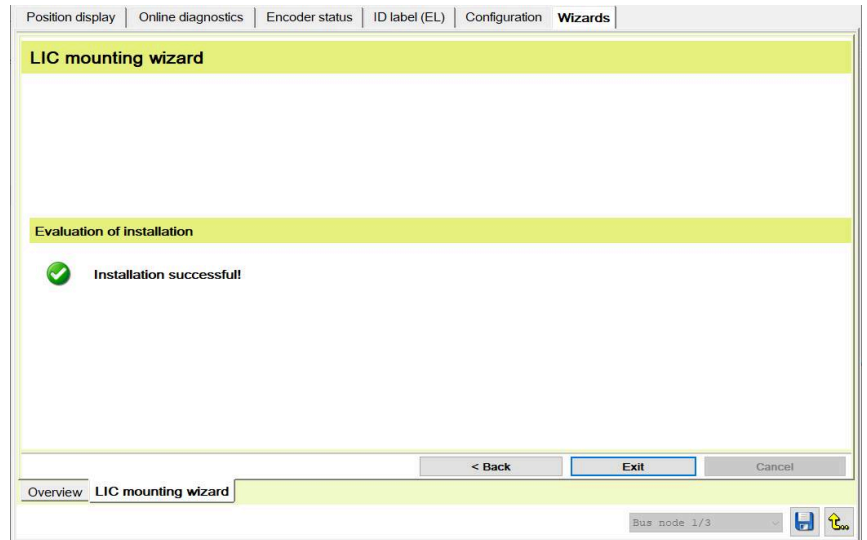


If the green ranges are not reached or if strong signal fluctuations occur over the entire measuring length, check the mounting tolerances and inspect for contamination.

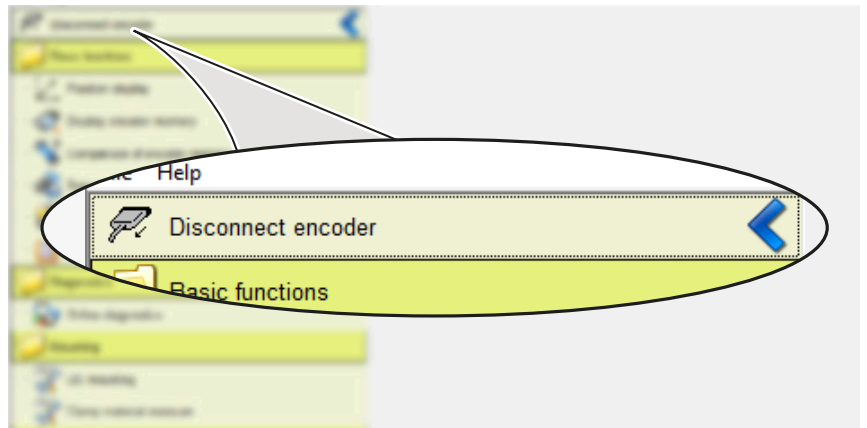
- ▶ Click **Next**
- ▶ The **Installation successful** message appears.



- ▶ Click **Exit**
- > The **Function menu** opens.
- > Mounting was successfully concluded.



- ▶ Double-click **Disconnect encoder**

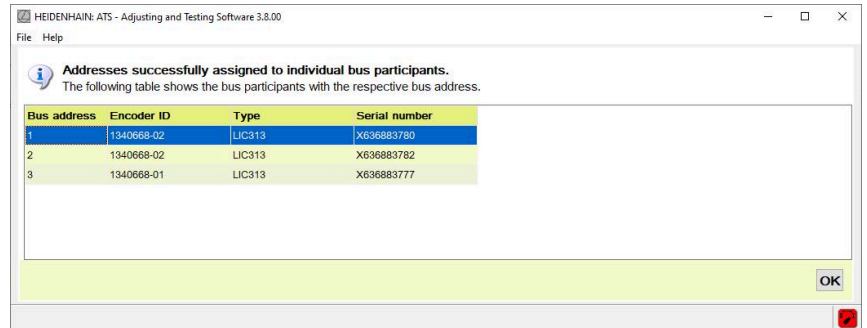


**Next step** "Final steps", Page 44

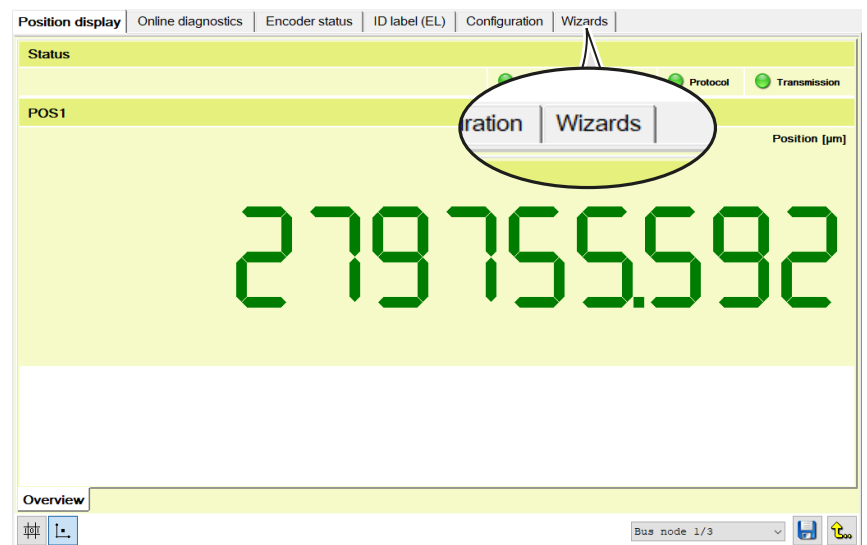
## 5.4.4 Mounting the LIC 413 scanning head in bus operation

### Using the mounting wizard

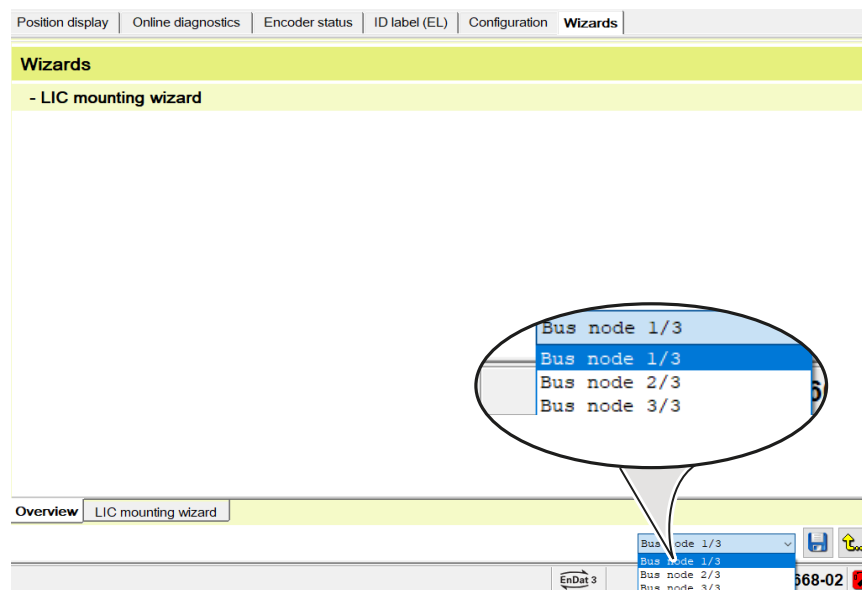
- ▶ Click **OK**
- ▶ The **position display** appears.



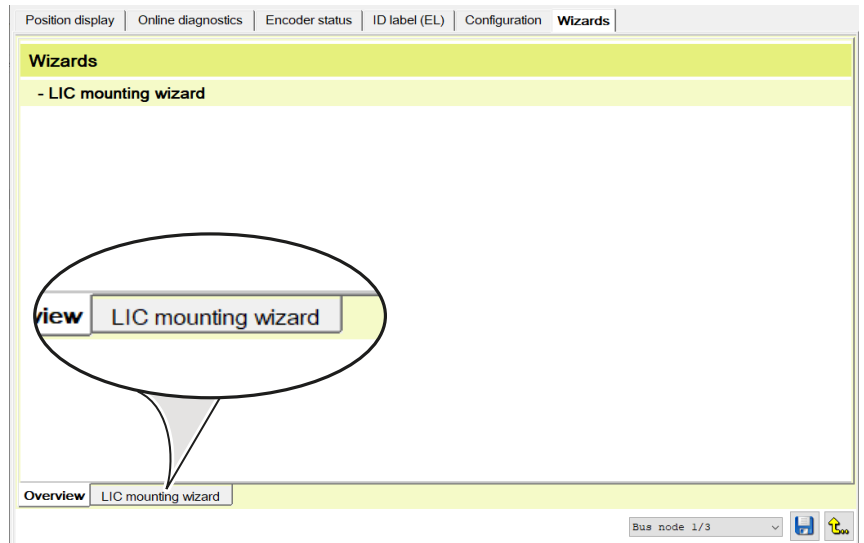
- ▶ Click **Wizards**



- ▶ Select **Bus node 1/3**

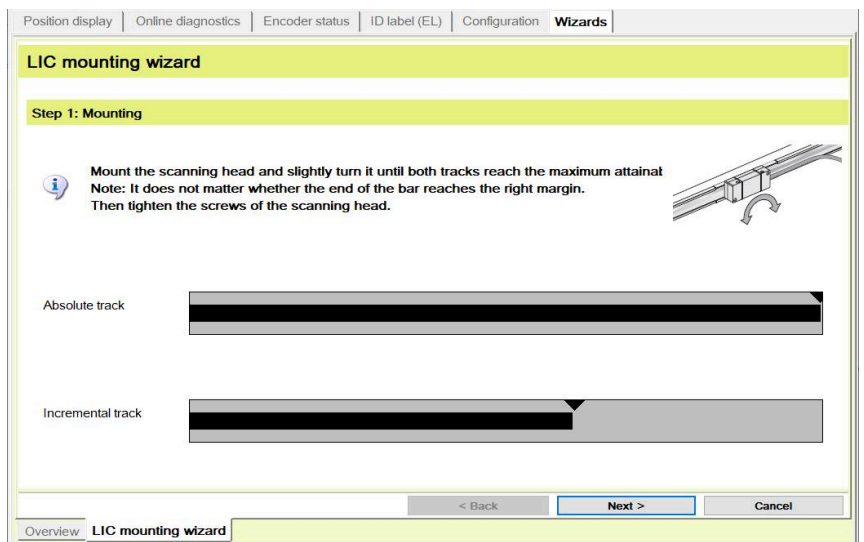


- ▶ Click **LIC mounting wizard**
- ▶ The **Step 1: Mounting** dialog opens.



Adjust the scanning head in the area of the midpoint of the measuring length.

- ▶ Set the absolute track to the maximum attainable bar length by slightly turning the scanning head
- ▶ Tighten the screws with the specified torque
- ▶ Click **Next**
- ▶ The **Step 2: Verify mounting** dialog opens.



**i** If an error message occurs, it is because the maximum incremental signal was not achieved.

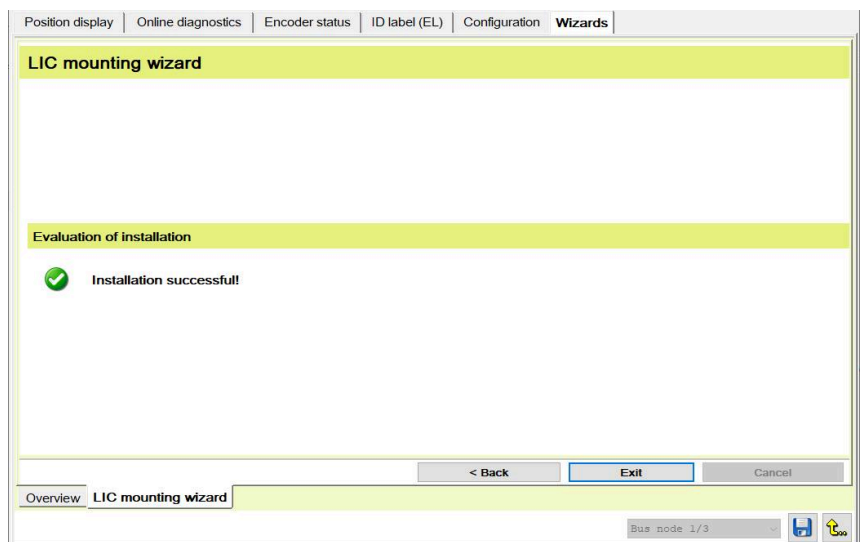
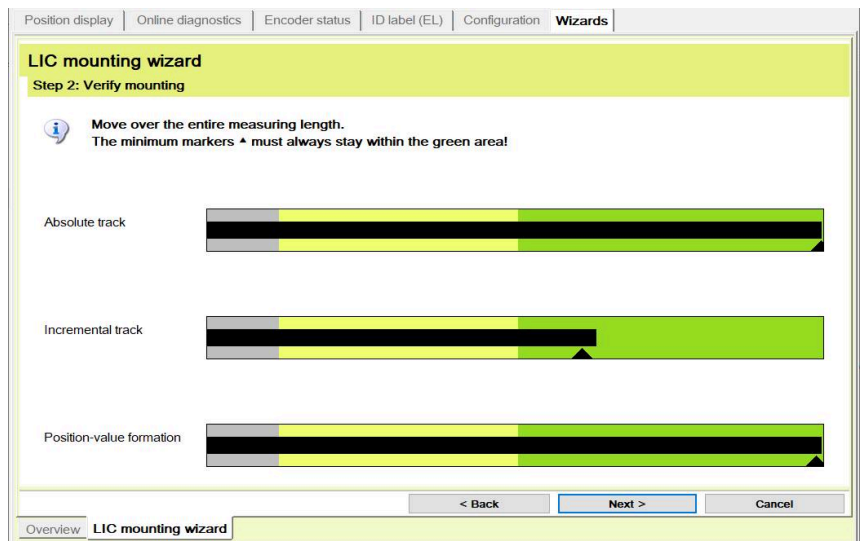
- ▶ Repeat the installation



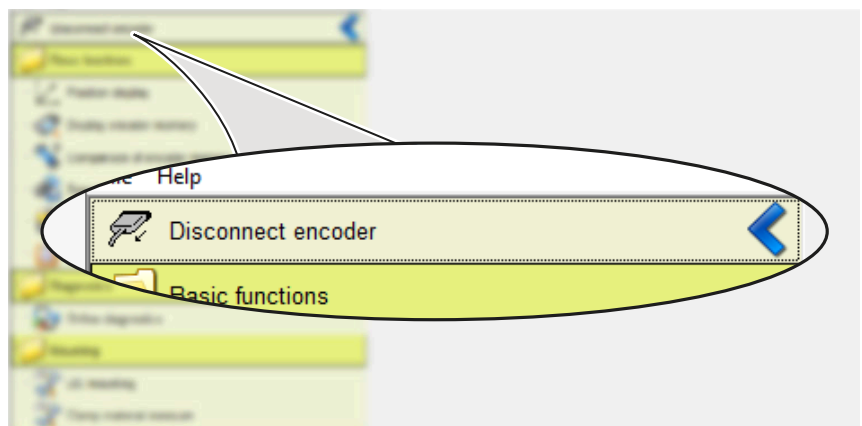
- ▶ Traverse the scanning head over the entire measuring length
- ▶ Ensure that the minimum markers remain within the green areas

**i** If the green ranges are not reached or if strong signal fluctuations occur over the entire measuring length, check the mounting tolerances and inspect for contamination.

- ▶ Click **Next**
- ▶ The **Installation successful** message appears.
- ▶ Click **Exit**
- ▶ The **Function menu** opens.
- ▶ Mounting was successfully concluded.



- ▶ Follow the same procedure for **Bus node 2/3** and **Bus node 3/3**
- ▶ Double-click **Disconnect encoder**



**Next step** "Final steps", Page 44

## 6 Final steps

### 6.1 Connecting the encoder with the downstream electronics

#### WARNING

##### Danger of electric shock due to plug connections under voltage!

Connecting and disconnecting live cables and plug connections in the equipment can result in death or serious injury.

- Only connect and disconnect cables and plug connections when no current is flowing through them
- Disconnect the downstream electronics from power before connecting the product
- For cables without connectors, pay attention to the pin layout

- ▶ Connect the encoder to the downstream electronics

#### NOTICE

##### Property damage resulting from incorrect routing of the connecting cable

Connecting cables may become damaged as a result of incorrect routing.

- ▶ Observe the maximum permissible bend radii
- ▶ Do not cross connecting cables in drag chains
- ▶ Route connecting cables professionally



For more information on the cable characteristics and cable routing, refer to the **Cables and Connectors** brochure.

- ▶ [www.heidenhain.com/documentation](http://www.heidenhain.com/documentation)
- ▶ Enter the document ID **1206103**



For more information on the pin layouts, refer to the **Cables and Connectors** brochure.

- ▶ [www.heidenhain.com/documentation](http://www.heidenhain.com/documentation)
- ▶ Enter the document ID **1206103**



For more information on sources of interference, refer to the **Interfaces of HEIDENHAIN Encoders** brochure.

- ▶ [www.heidenhain.com/documentation](http://www.heidenhain.com/documentation)
- ▶ Enter the document ID **1078628**

## 7 Removal

This chapter describes the removal of the product.

### 7.1 Safety precautions regarding removal

#### WARNING

##### **Live plug connections!**

If you disengage plug connections while the equipment is under power, this may result in fatal accidents or severe personal injury.

- ▶ Do not engage or disengage any connecting elements while the product is under power

#### WARNING

##### **Moving machine parts!**

Risk of injury due to moving machine parts depending on the installation location and the application

- ▶ Observe all of the machine manufacturer's notes on working on the machine, e.g., always disconnect the machine from the power supply

#### CAUTION

##### **Fragile carrier material of the graduation!**

Risk of injury from splinters and sharp edges of the carrier material

- ▶ Wear protective gloves and safety goggles
- ▶ Do not bend or deform the measuring standard excessively

### 7.2 Removing the scanning head

- ▶ Remove the scanning head in the reversed sequence of mounting. **Further information:** "Mounting the scanning head", Page 16

### 7.3 Removing the scale tape



Further information can be found in the **Disassembly Instructions**.

- ▶ [www.heidenhain.com/documentation](http://www.heidenhain.com/documentation)
- ▶ Enter the document ID **1185755**

# HEIDENHAIN

## DR. JOHANNES HEIDENHAIN GmbH

Dr.-Johannes-Heidenhain-Straße 5

**83301 Traunreut, Germany**

☎ +49 8669 31-0

☎ +49 8669 32-5061

info@heidenhain.de

**Technical support** ☎ +49 8669 32-1000

**Measuring systems** ☎ +49 8669 31-3104

service.ms-support@heidenhain.de

**NC support** ☎ +49 8669 31-3101

service.nc-support@heidenhain.de

**NC programming** ☎ +49 8669 31-3103

service.nc-pgm@heidenhain.de

**PLC programming** ☎ +49 8669 31-3102

service.plc@heidenhain.de

**APP programming** ☎ +49 8669 31-3106

service.app@heidenhain.de

**www.heidenhain.com**