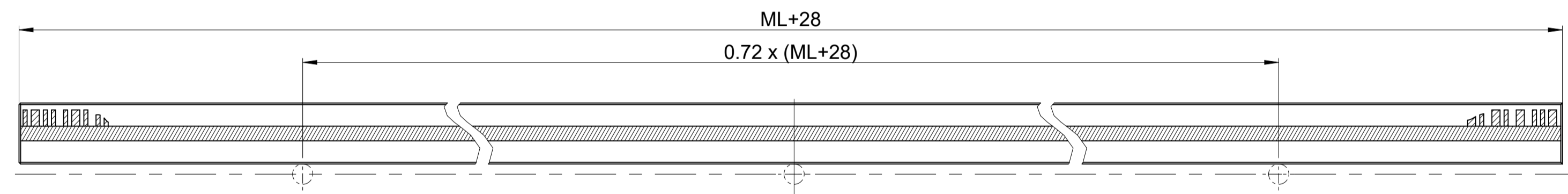
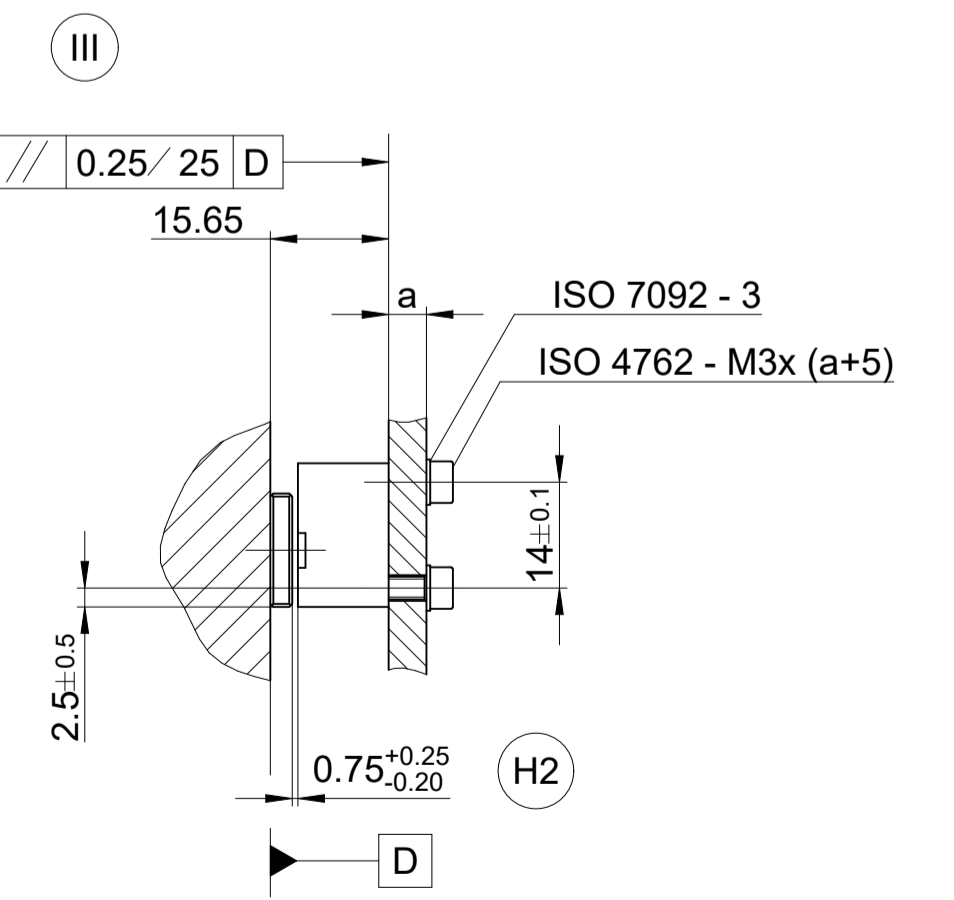
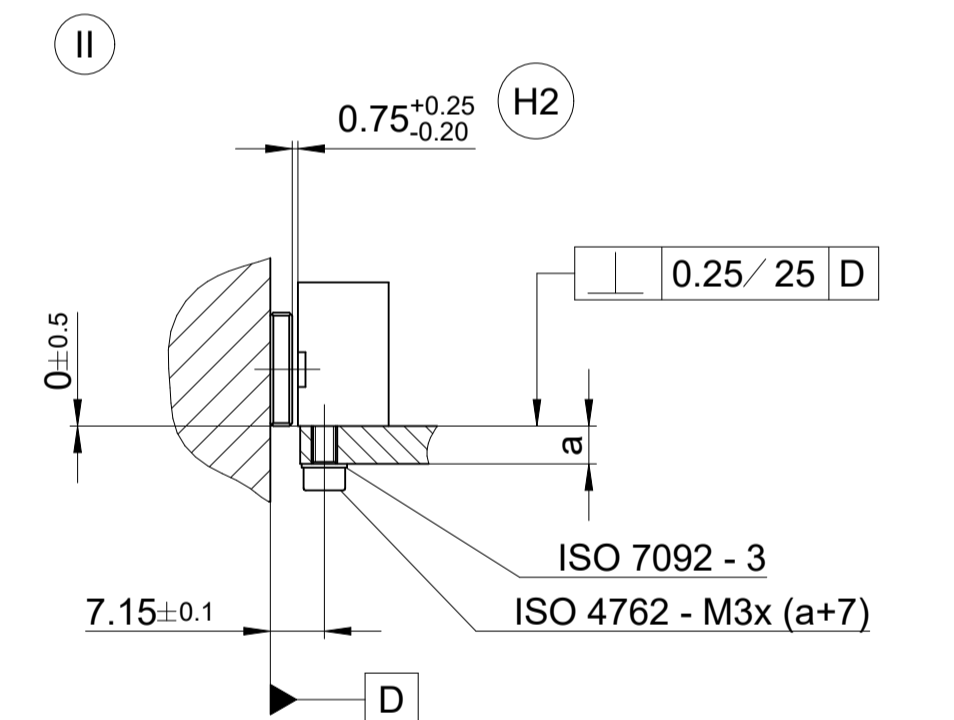
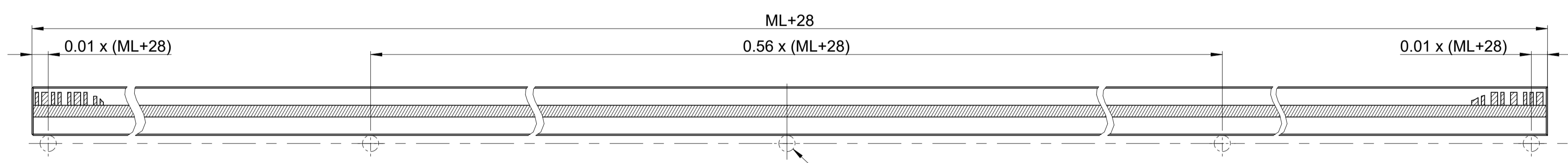


Position Anschlagstifte
Position stop pins

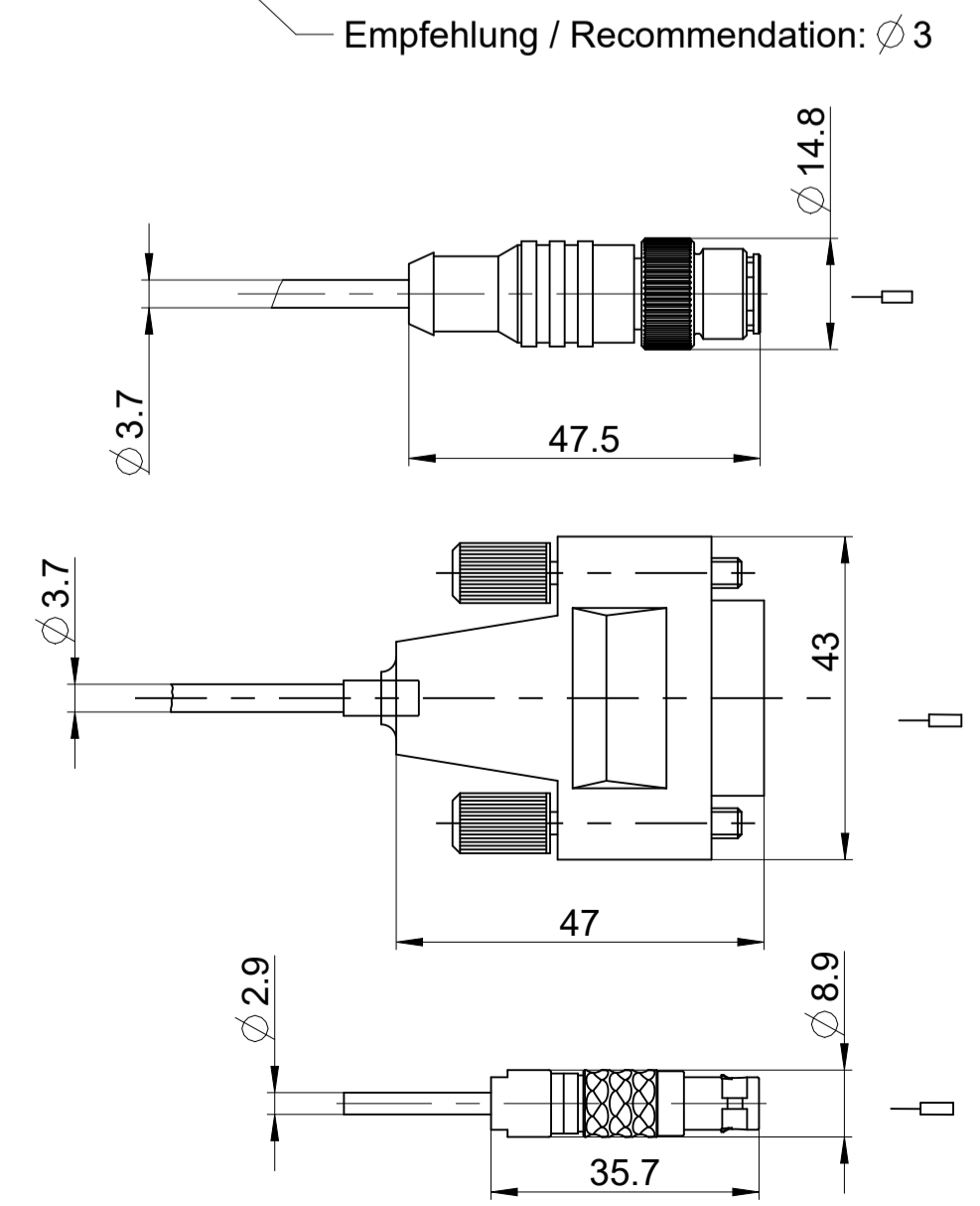
ML ≤ 2040



ML > 2040



- I II III = Montagemöglichkeiten = Mounting options
- F = Maschinenführung = Machine guideway
- * = Anbaufehler plus dyn. Führungsfehler = Mounting failure plus dyn. failures of guideway
- L = Maßstablänge = Scale length
- S = Beginn der Messlänge ML = Beginning of measuring length ML
- H1 = Optische Mittellinie = Optical centreline
- H2 = Montageabstand Abtastkopf zu Maßstab = Mounting gap
- H3 = Bewegungsrichtung der Abtasteinheit für Ausgangssignale gemäß Schnittstellenbeschreibung = Direction of scanning unit motion for output signals in accordance with interface description
- H4 = Abstand wird bei Montage mit Abstandsfolie eingestellt = Distance is adjusted with spacer foil while mounting process
- H5 = abhängig von Messlänge ML zusätzliches Spannpratzenpaar = depending on measuring length ML additional pair of fixing clamps
- H6 = Anschlagfläche Maßstab = Stop surface scale
- K = Klebstoff = Adhesive
- G = Fixpunktelement zur Definition des thermischen Fixpunktes = Fixed-point element in order to define the thermal fixed point



	d	R	R
		Feste Verlegung Rigid configuration	Wechselbiegung Frequent flexing
PUR	D 3.7 mm	> 8 mm	>= 40 mm
PUR	D 2.9 mm	> 6 mm	>= 30 mm

ID number: C191279-05		Change No. Serie	
Phase:		Tolerances as per ISO 8015	
Dimensions in mm		General Tolerances ISO 2768-1:2008-mH ±6mm:±0.2	
Original drawing Scale Format	1:1 A1	LIC 41x3 LIC 41x3 Anschlussmaße / Mating Dimensions	
The reproduction, distribution and utilization of this document as well as the communication of its contents to others without express authorization is prohibited. Offenders will be held liable for the payment of damages. All rights reserved in the event of the grant of a patent, utility model or design. (ISO 18015)		Released	Version / Revision / Sheet / Page
DR. JOHANNES HEIDENHAIN GmbH 83301 Traunreut, Germany		04.12.2025	D 828148-12-A-01 1 of 1