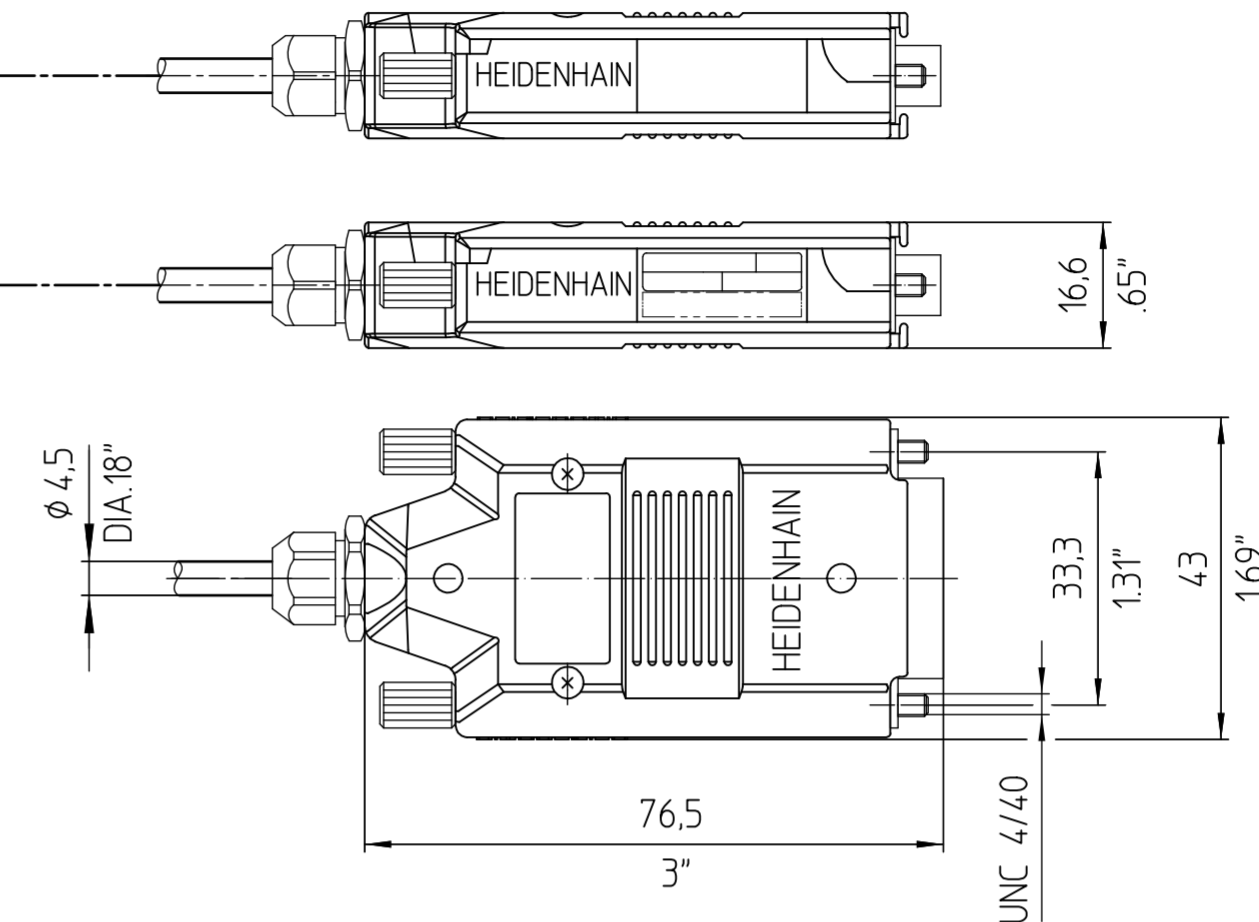
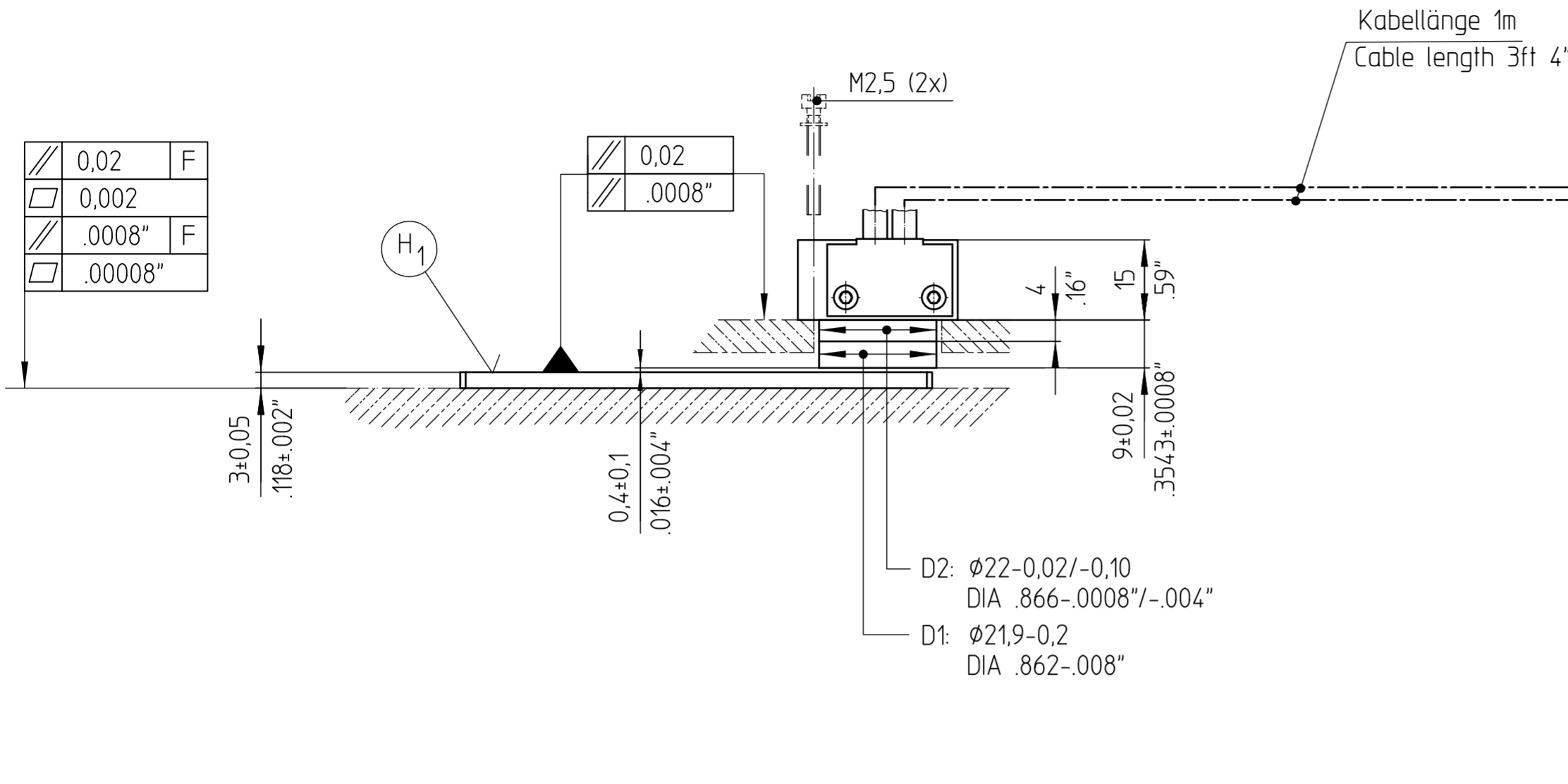
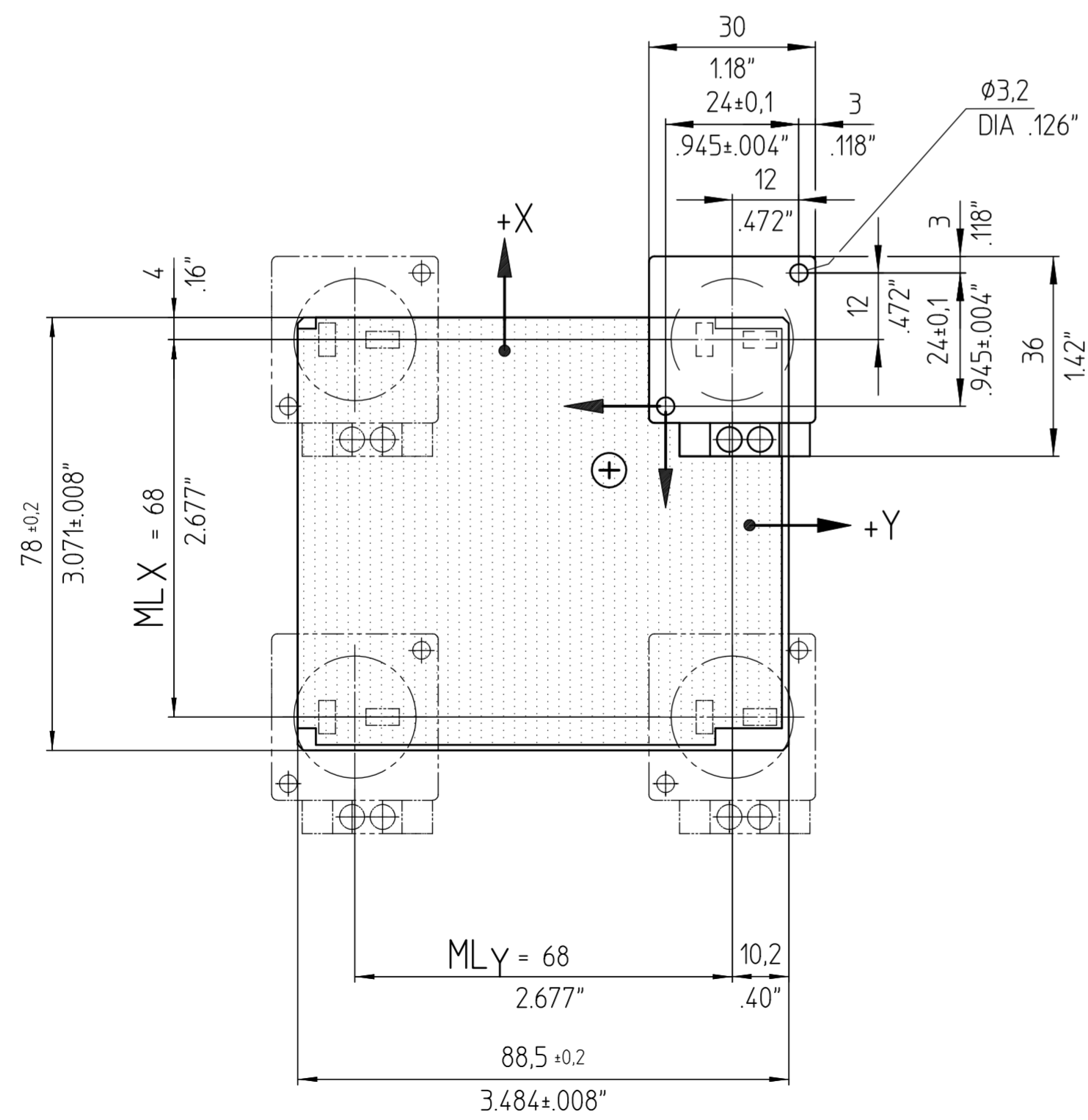


	0,02	F
	0,002	
	.0008"	F
	.00008"	



X Richtung
X direction

Y Richtung
Y direction



F = Maschinenführung
Machine guideway

X,Y = Meßrichtungen
Measuring directions

H₁ = Teilungsseite
Graduation side

Signalperiode: 4 µm
Signal period:

ML = Meßlänge
Measuring length

F00BE	737378-02
-------	-----------

Original drawing		PP 289A		IDnumber:	
Scale	Format	Anschlussmaße		Change No.	C005531-15
1:1	A2			Phase:	Serie
Dimensions in mm				Tolerierung nach DIN ISO 8015	Tolerances as per DIN ISO 8015
				Algemeintoleranzen ISO 2768-mH ±0,2mm	±0,2
				General tolerances ISO 2768-mH ±0,2mm	±0,2
The reproduction, distribution and utilization of this document as well as the communication of its contents to others without express authorization is prohibited. Offenders will be held liable for the payment of damages. All rights reserved in the event of the grant of a patent, utility model or design. (ISO 16016)					
HEIDENHAIN DR. JOHANNES HEIDENHAIN GmbH 83301 Traunreut, Germany				Document number	
				D737378 - 00-B - 02	
				Version Revision Sheet	
				1 of 1	