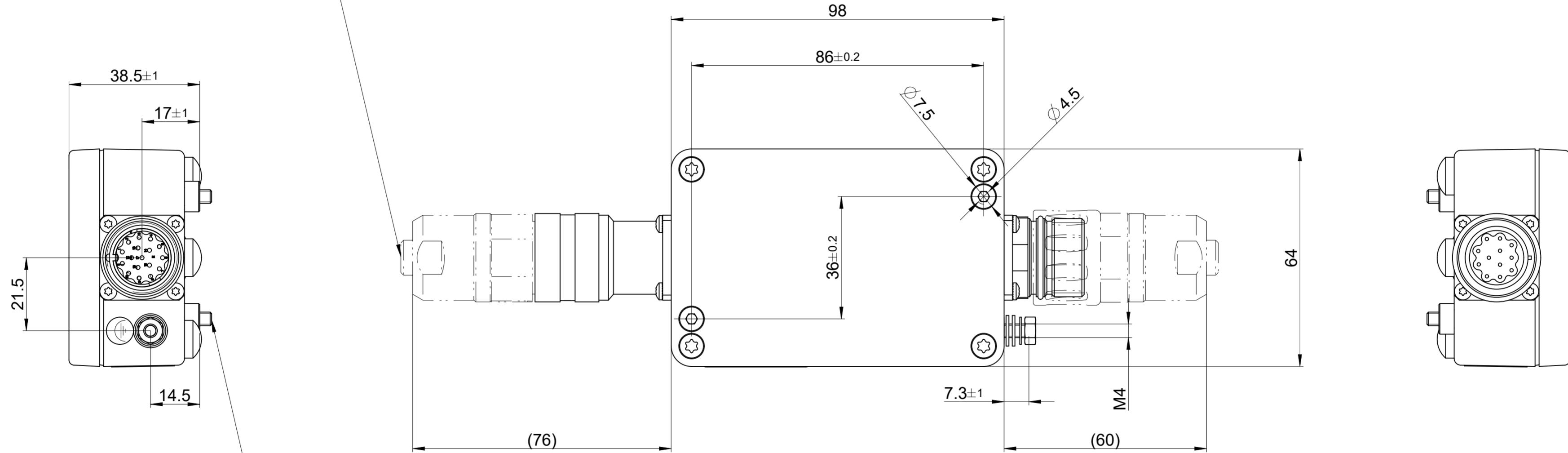


bei Dauerbiegung R>= 100
bei einmaliger Biegung R>= 40
For frequent flexing R>= 100
For rigid configuration R>= 40



2 Befestigungsschrauben
2 fixing screws
M4x16 DIN 912 / ISO 4762

824944-xx
807103-xx
591185-xx
573902-xx
573901-xx

ID number:		C082962-06	
Change No.		Serie	
Phase:		Tolerierung nach DIN ISO 8015 Tolerances as per DIN ISO 8015	
Allgemeintol. ISO 2768-mH ±6mm:±0,2 General tol. ISO 2768-mH ±6mm:±0,2		Anschlussmaße / Mating Dimensions	
The reproduction, distribution and utilization of this document as well as the communication of its contents to others without express authorization is prohibited. Offenders will be held liable for the payment of damages. All rights reserved in the event of the grant of a patent, utility model or design. (ISO 16016)			
HEIDENHAIN DR. JOHANNES HEIDENHAIN GmbH 83301 Traunreut, Germany		Version	Revision
D 662905-00 - A-03		Sheet	Page
Document number		1	1