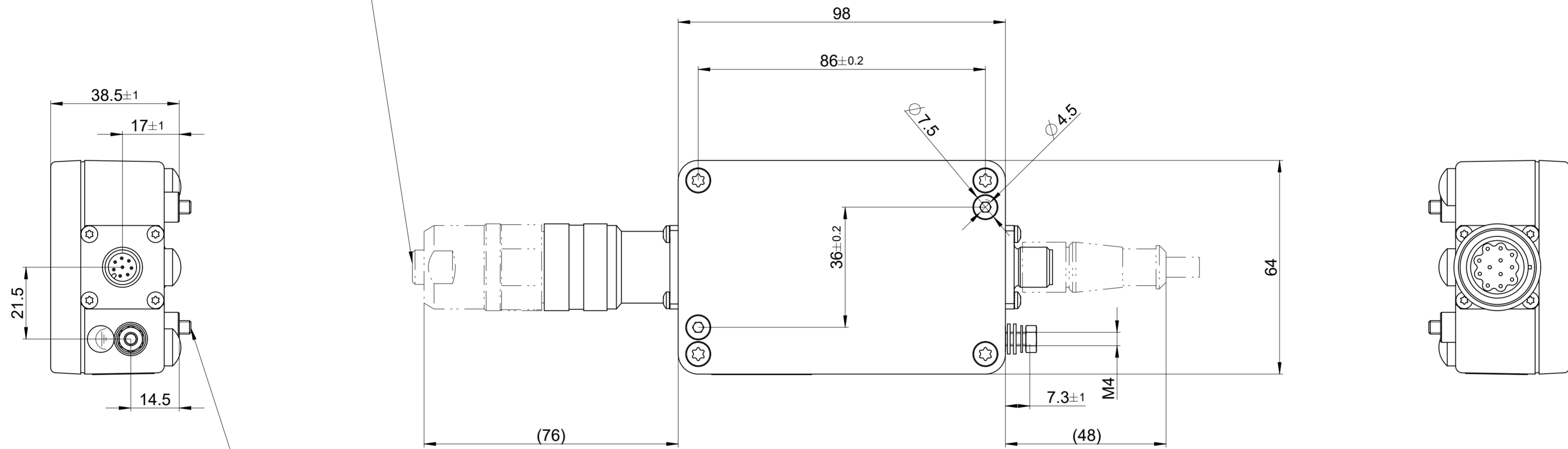


bei Dauerbiegung $R \geq 100$
 bei einmaliger Biegung $R \geq 40$
 For frequent flexing $R \geq 100$
 For rigid configuration $R \geq 40$



2 Befestigungsschrauben
 2 fising screws
 M4x16 DIN 912 / ISO 4762

749974-xx
 572417-xx

Original drawing		EIB 192 (EnDat) // EIB 192 (EnDat) mit		ID number:
Scale		EIB 192 (EnDat) // EIB 192 (EnDat) mit		Change No. C082962-06
Format		Anschlussmaße / Mating Dimensions		Phase: Serie
Dimensions in mm	1:1	A2		Tolerierung nach DIN ISO 8015 Tolerances as per DIN ISO 8015
				Allgemeintol. ISO 2768-mH ± 0.2 General tol. ISO 2768-mH ± 0.2
The reproduction, distribution and utilization of this document as well as the communication of its contents to others without express authorization is prohibited. Offenders will be held liable for the payment of damages. All rights reserved in the event of the grant of a patent, utility model or design. (ISO 16016)				
HEIDENHAIN DR. JOHANNES HEIDENHAIN GmbH 83301 Traunreut, Germany			Version	Revision
D 662905-00 - A-02			Sheet	Page
Document number			1	1