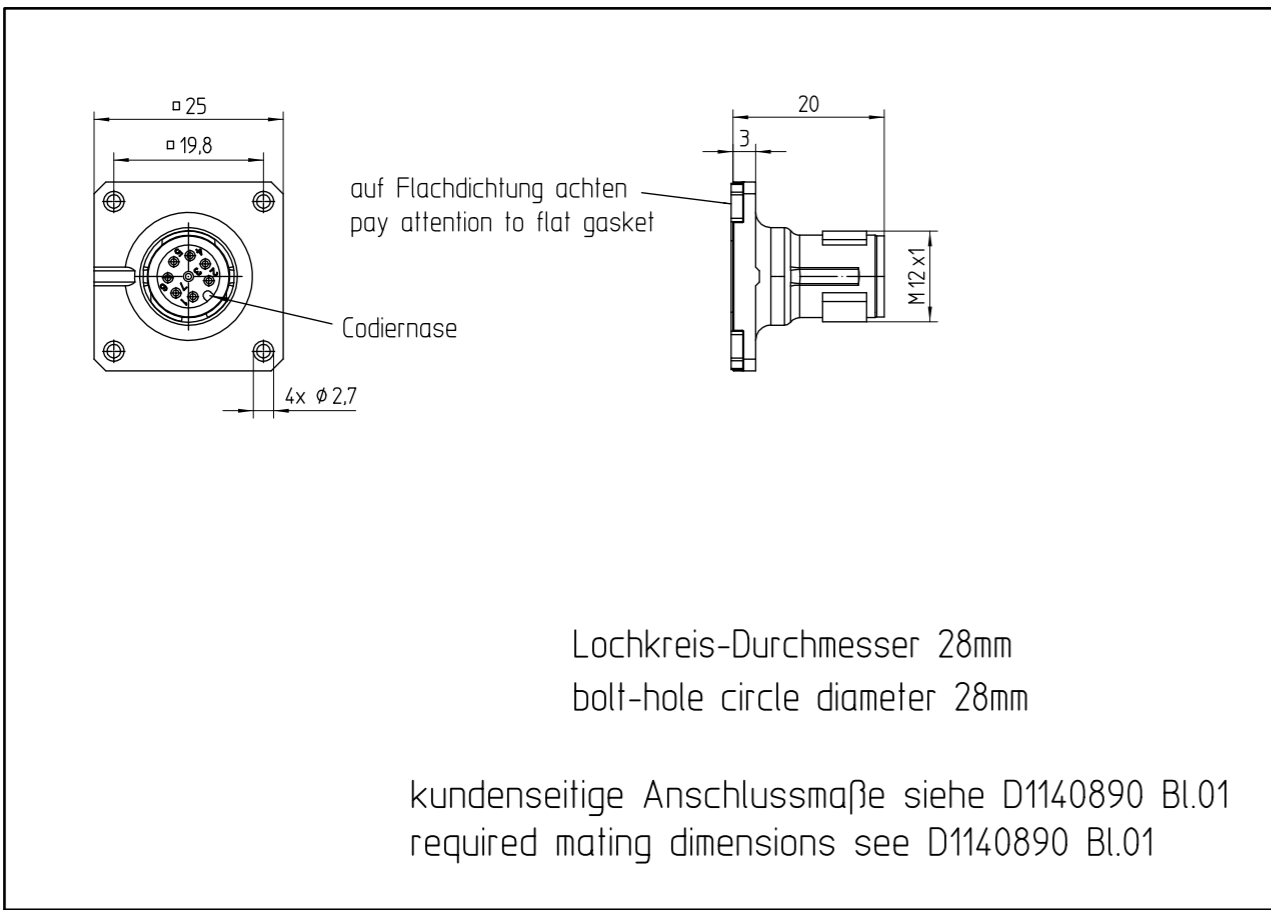


Biegeradius min. dauernd
Min. bend radius for flexing --

Biegeradius min. einmalig
Min. bend radius for rigid configuration 10mm

Schleppkettenradius min.
Min. drag chain radius --

max. Kabellänge (L): siehe Techn. Daten des Gerätetyps
For max. cable length (L): See Specifications of the encoder model



			IDnumber:
			Change No. C022084-15 Phase: Serie
	Original drawing Scale	Format	AGK JAE --> Flanschdose M12 (AFS08)
Dimensions in mm	1:1	A3	Anschlussmaße
			Tolerierung nach DIN ISO 8015 Tolerances as per DIN ISO 8015
			Allgemeintoleranzen ISO 2768-mH ±6mm: + 0.2 General tolerances ISO 2768-mH ±6mm: + 0.2
The reproduction, distribution and utilization of this document as well as the communication of its contents to others without express authorization is prohibited. Offenders will be held liable for the payment of damages. All rights reserved in the event of the grant of a patent, utility model or design. (ISO 16016)			
HEIDENHAIN DR. JOHANNES HEIDENHAIN GmbH 83301 Traunreut, Germany			Version Revision Sheet D 652661 - 03 - B - 33 Document number
			1 of 1

866 200 A3