

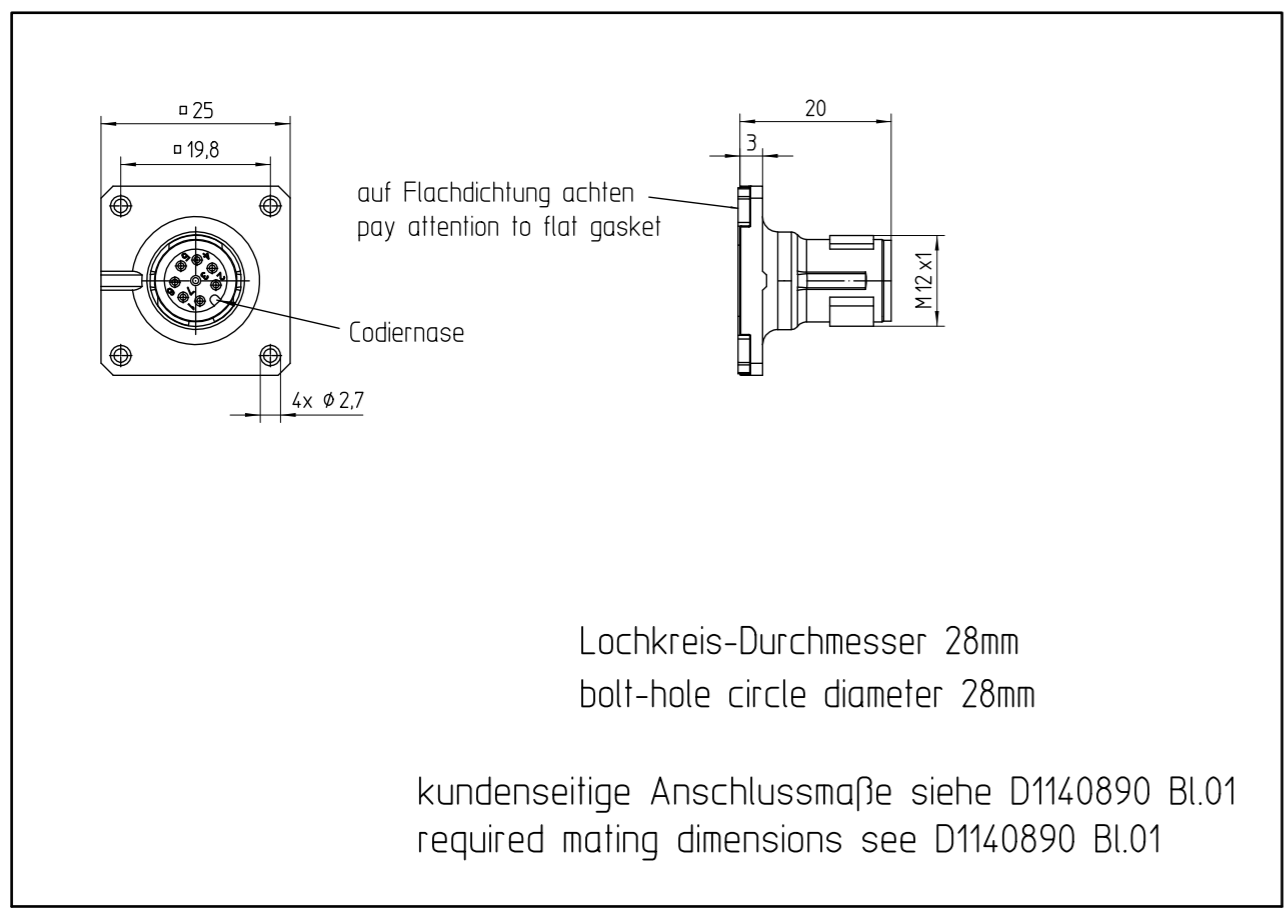
ⓑ Temperatursensor / Temperature sensor
 Biegeradius min. / min. bend radius 3mm
 Durchmesser / Diameter 0,85mm
 Querschnitt / Cross section 0,16mm² / AWG26

Biegeradius min. dauernd
 Min. bend radius for flexing --

Ⓐ Biegeradius min. einmalig
 Min. bend radius for rigid configuration 10mm

Schleppkettenradius min.
 Min. drag chain radius --

max. Kabellänge (L): siehe Techn. Daten des Gerätetyps
 For max. cable length (L): See Specifications of the encoder model



			IDnumber:
			Change No. C022084-15 Phase: Serie
	Original drawing Scale	Format	AGK JAE --> Flanschdose M12 (AFS08)
Dimensions in mm	1:1	A3	Anschlussmaße
The reproduction, distribution and utilization of this document as well as the communication of its contents to others without express authorization is prohibited. Offenders will be held liable for the payment of damages. All rights reserved in the event of the grant of a patent, utility model or design. (ISO 16016)			Tolerierung nach DIN ISO 8015 Tolerances as per DIN ISO 8015
			Allgemeintoleranzen ISO 2768-mH ±0.2mm; +0.2 General tolerances ISO 2768-mH ±0.2mm; +0.2
HEIDENHAIN DR. JOHANNES HEIDENHAIN GmbH 83301 Traunreut, Germany		Version	Revision
		Sheet	
		D 652661 - 03 - B - 32	
		Document number	
		1 of 1	