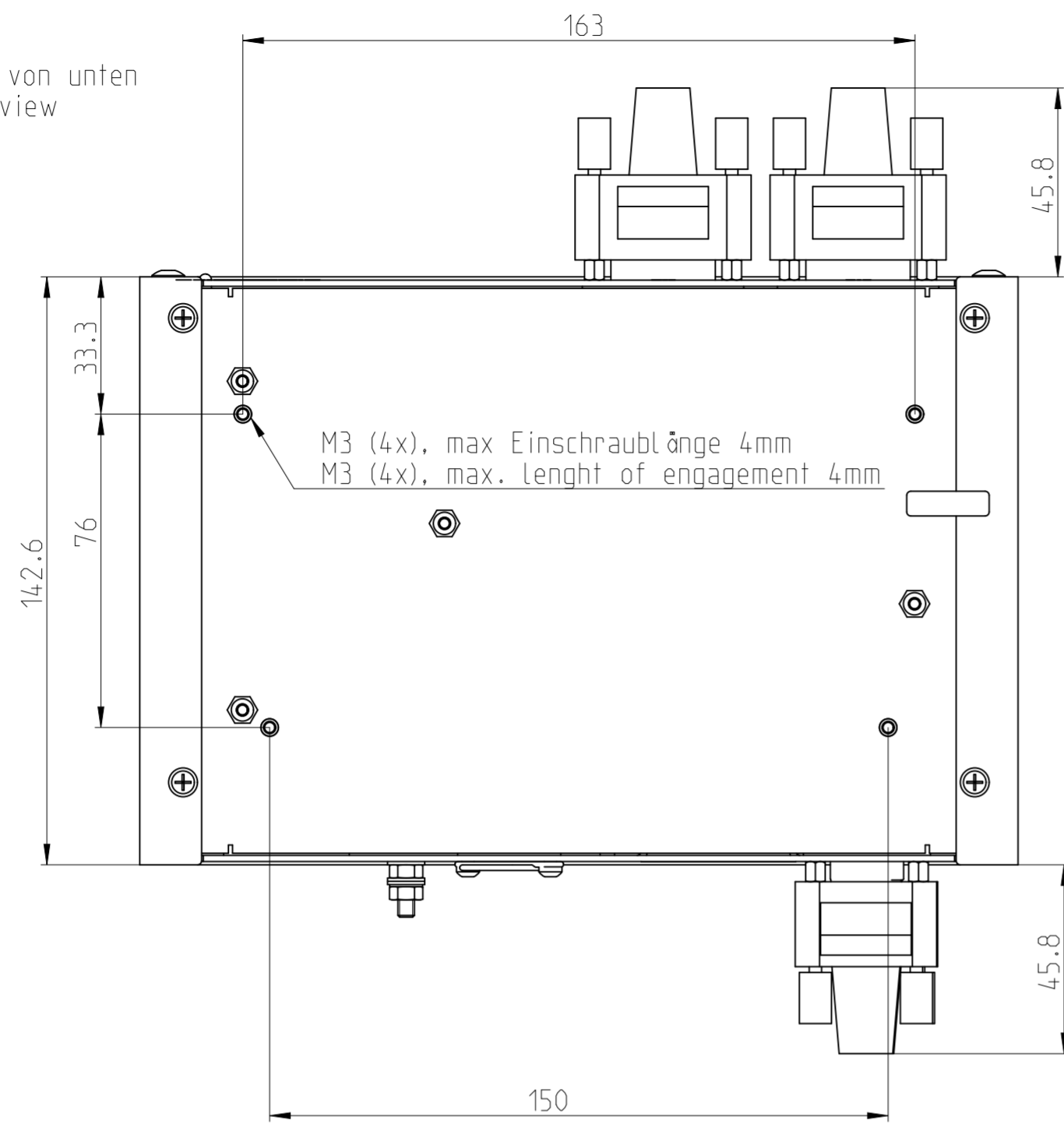
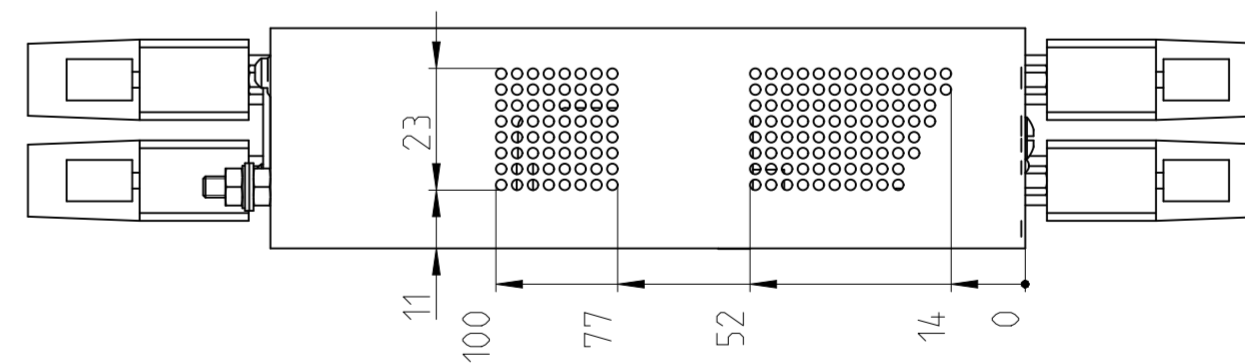
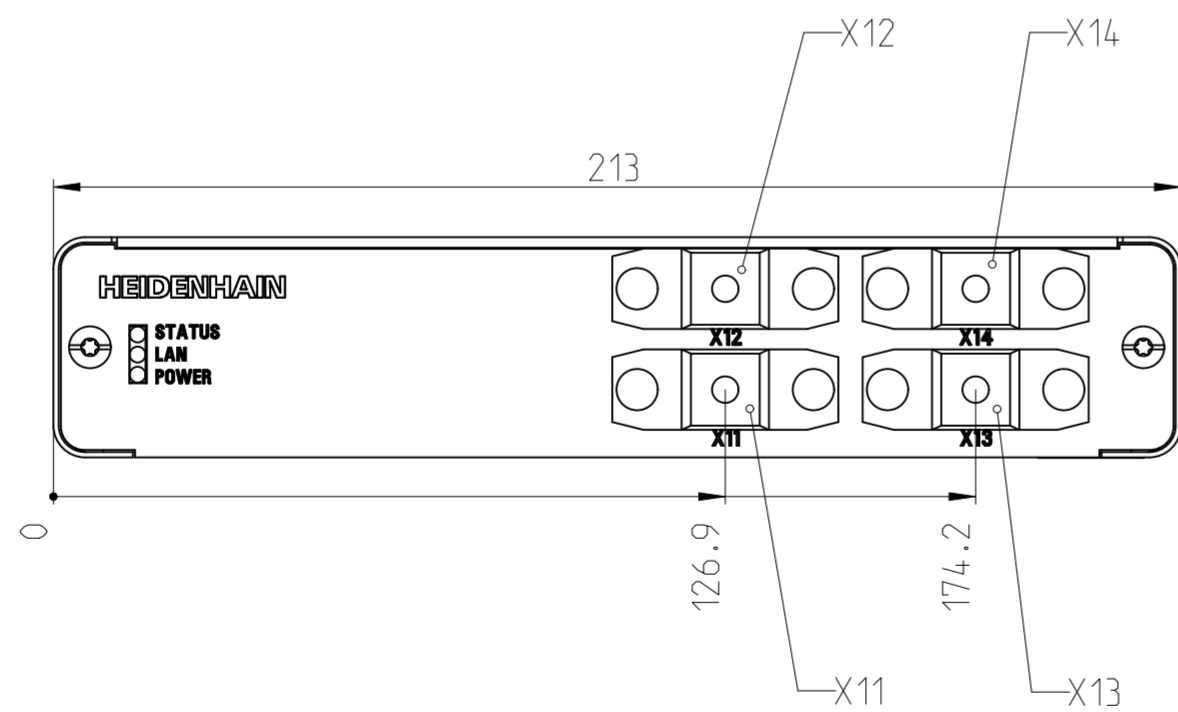
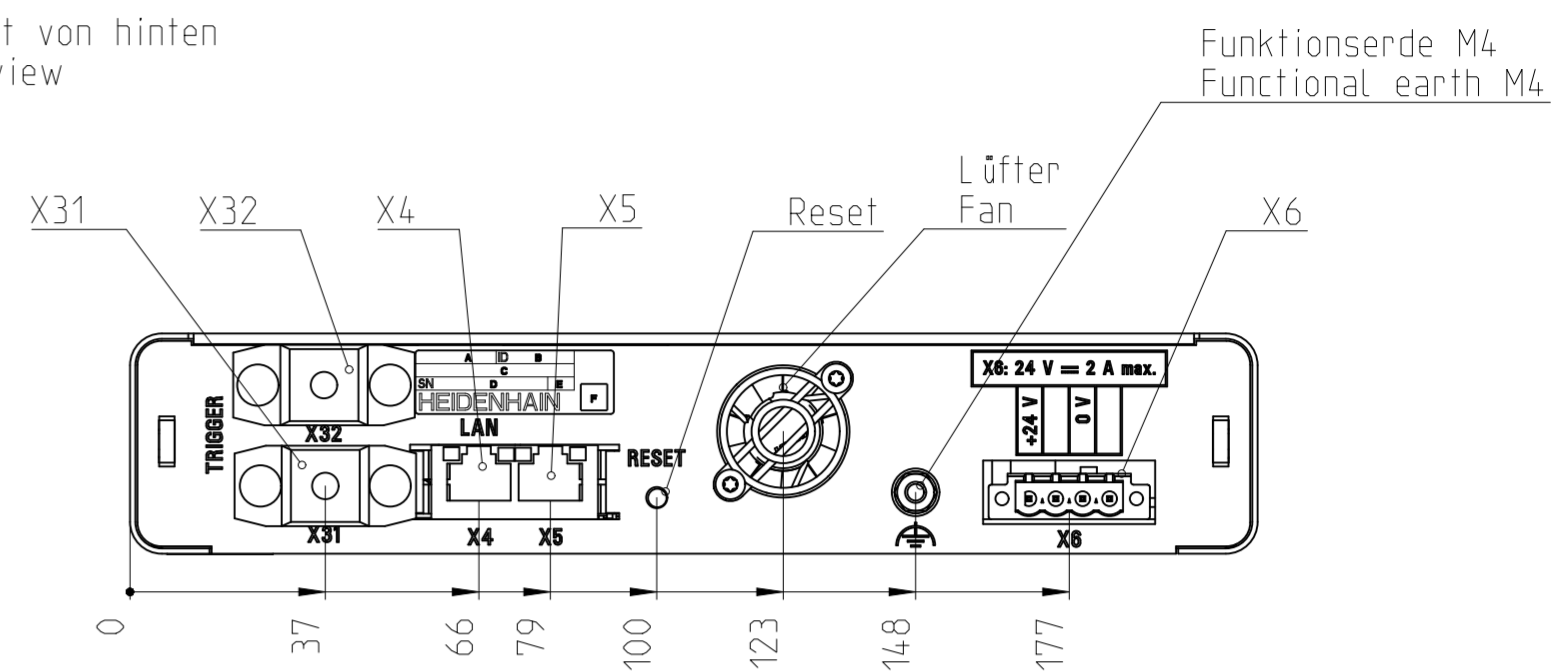


Ansicht von unten
Bottom view



Ansicht von hinten
Back view



		ID number: 1037960-02	
		Change No. C169172-20	
		Phase: Serie	
		Tolerances as per ISO 8015	
		General Tolerances ISO 2768:1989-mH ±0.2	
		The reproduction, distribution and utilization of this document as well as the communication of its contents to others without express authorization is prohibited. Offenders will be held liable for the payment of damages. All rights reserved in the event of the grant of a patent, utility model or design. (ISO 16016)	
		Released	
		Version Revision Sheet Page	
		07.07.2025	
		D 631432-00-A-04	
		Document number	
		1 of 1	

HEIDENHAIN
DR. JOHANNES HEIDENHAIN GmbH
83301 Traunreut, Germany

EIB 742
EIB
Anschlussmaße / Mating Dimensions