

HEIDENHAIN

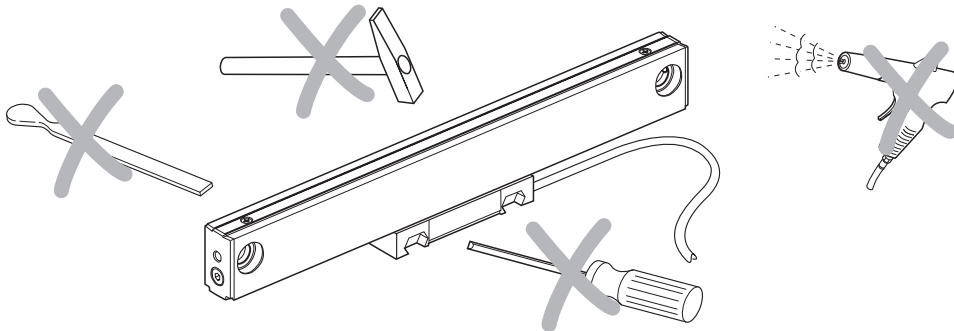
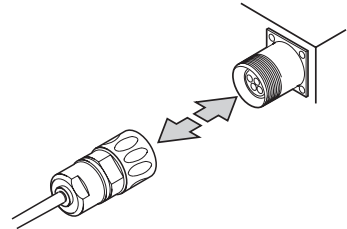
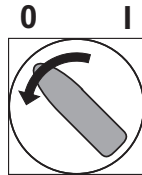
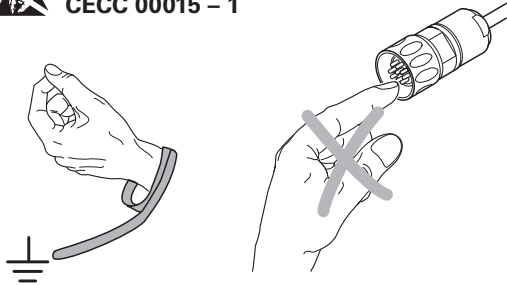
Replacing Instructions

LS 1378 C

10/2007



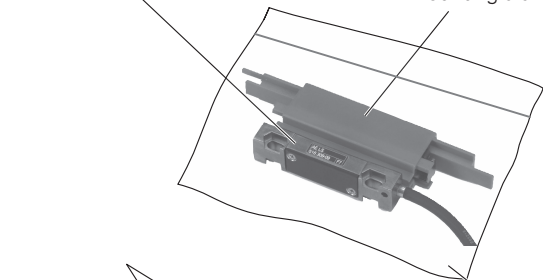
DIN EN 100 015 - 1
CECC 00015 - 1



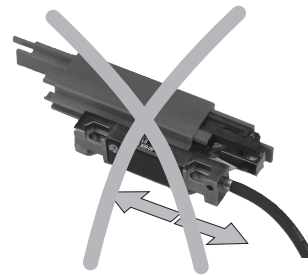
Items supplied

Scanning unit

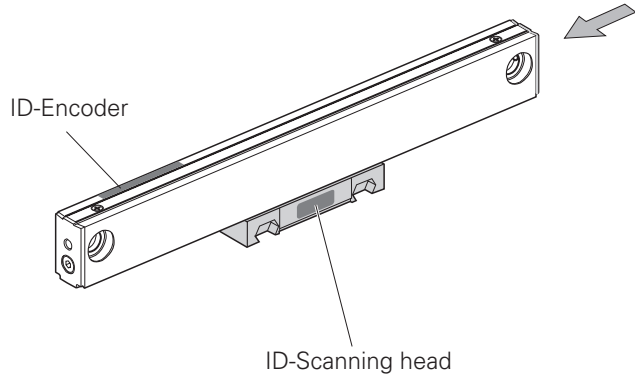
Mounting aid

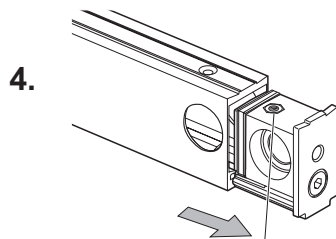
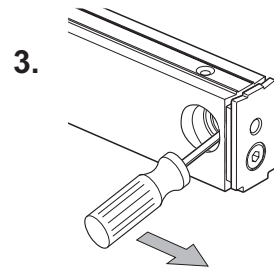
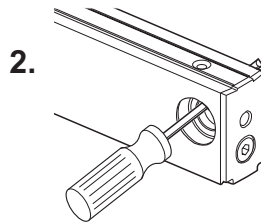
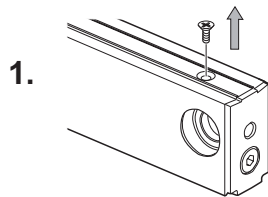


 ESD film

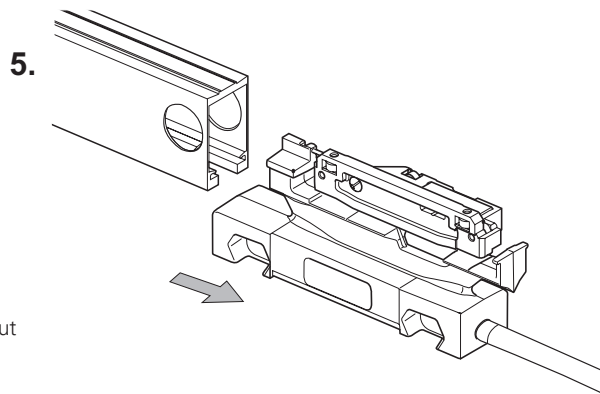


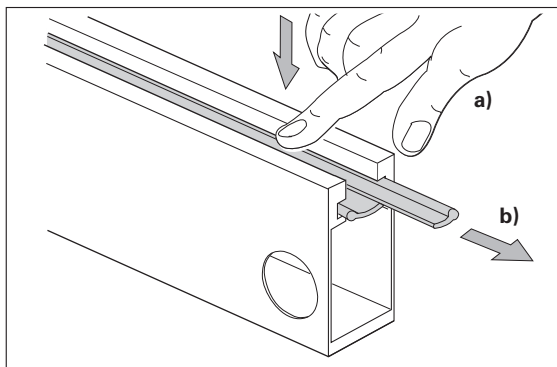
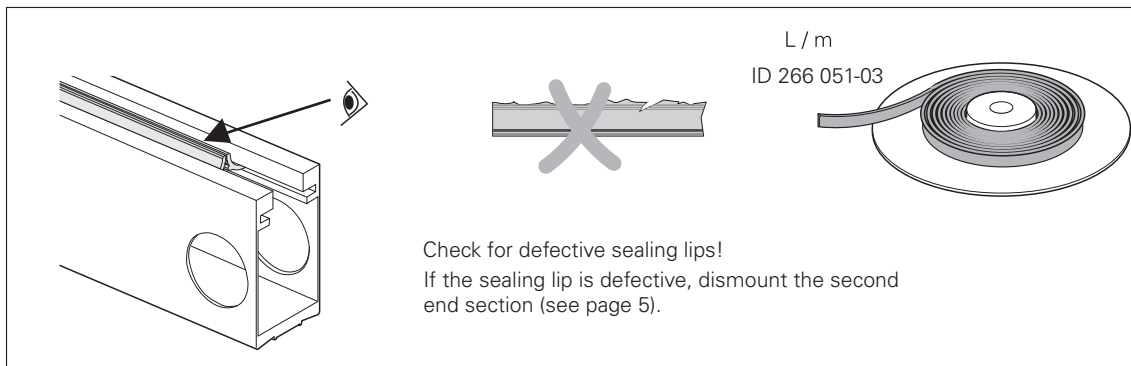
Note: Open here to exchange the scanning unit

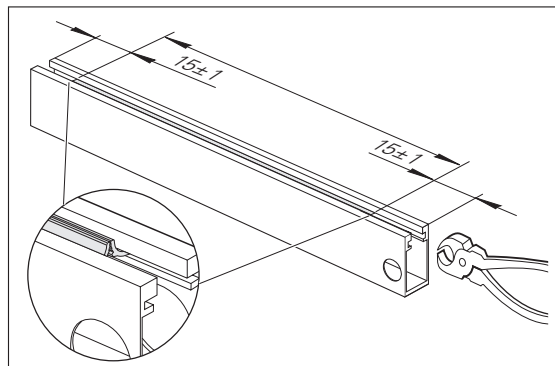
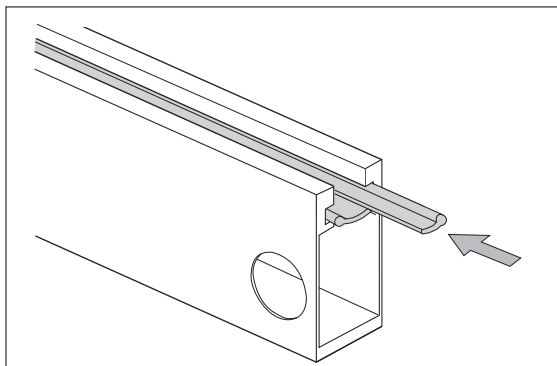
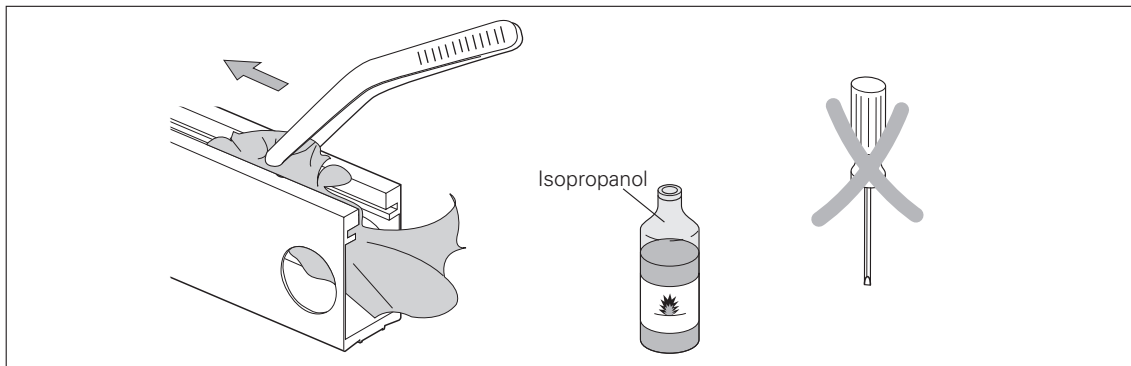


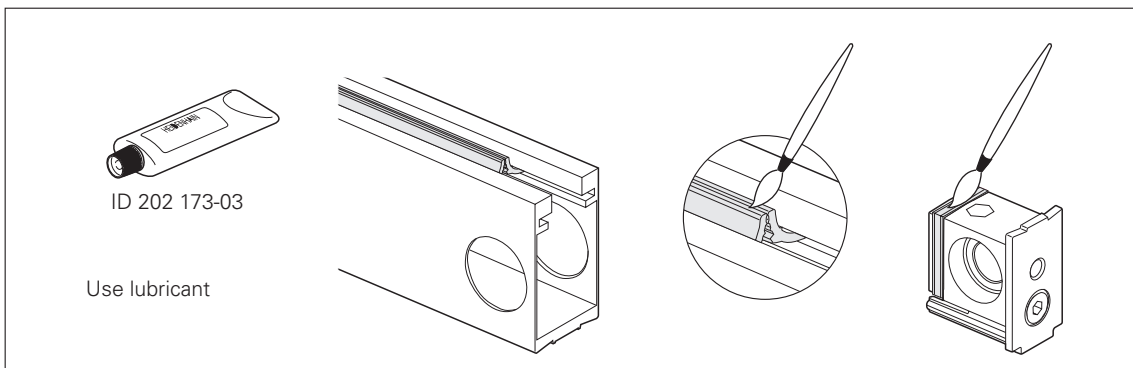
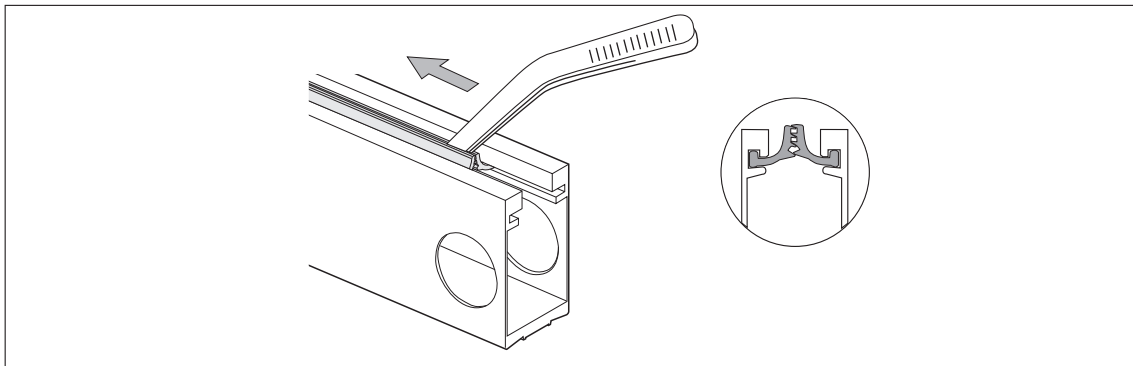


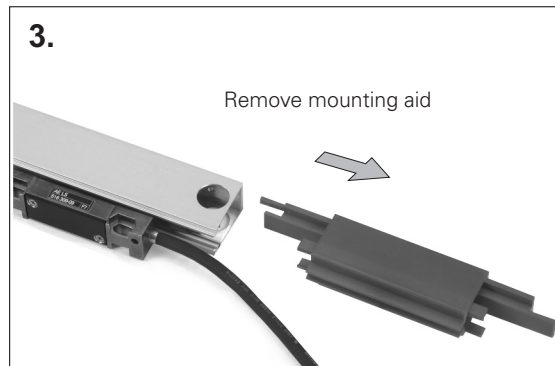
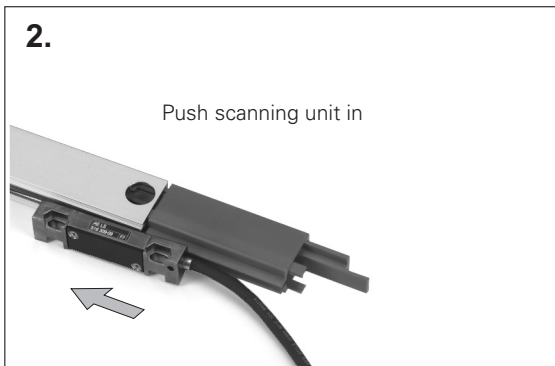
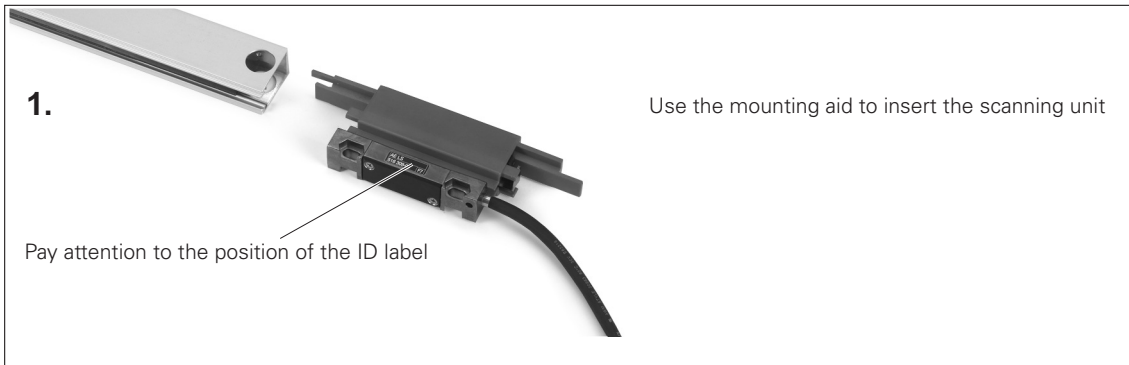
Pay attention to hexagonal nut

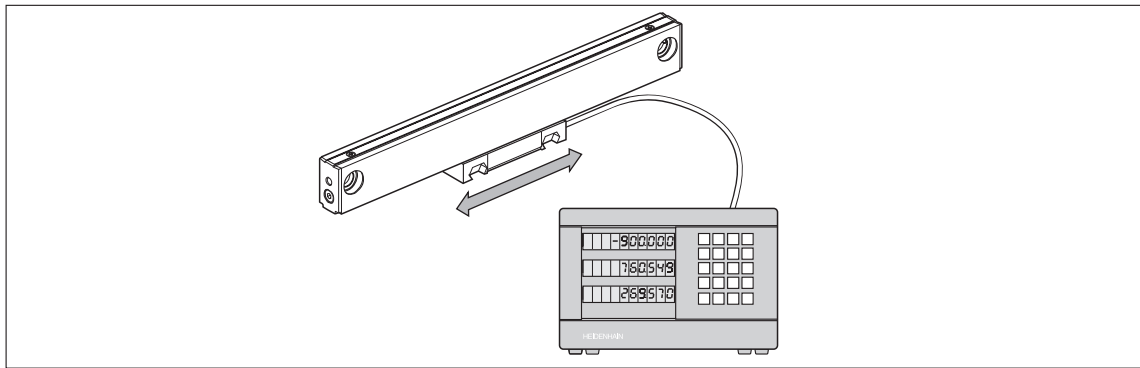
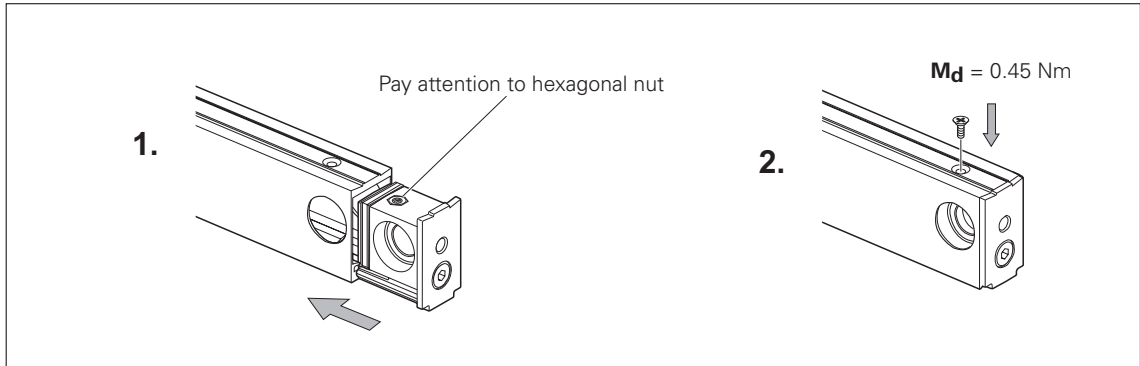




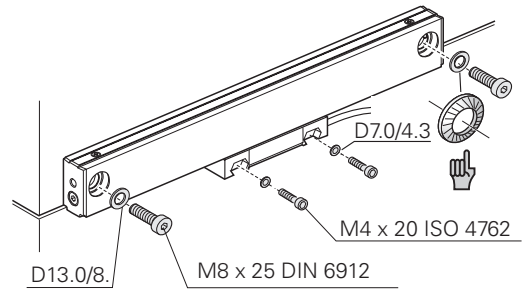
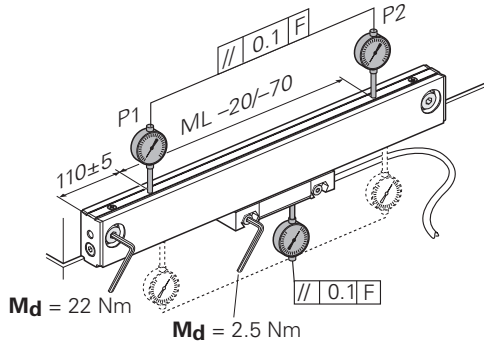
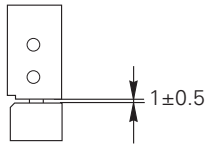








Refer to the mounting instructions (ID 528 416-9x) for the LS 3x8



F = Machine guideway

HEIDENHAIN

DR. JOHANNES HEIDENHAIN GmbH

Dr.-Johannes-Heidenhain-Straße 5

83301 Traunreut, Germany

☎ +49 (8669) 31-0

FAX +49 (8669) 5061

E-Mail: info@heidenhain.de

Technical support **FAX** +49 (8669) 32-1000

Measuring systems ☎ +49 (8669) 31-3104

E-Mail: service.ms-support@heidenhain.de

TNC support ☎ +49 (8669) 31-3101

E-Mail: service.nc-support@heidenhain.de

NC programming ☎ +49 (8669) 31-3103

E-Mail: service.nc-pgm@heidenhain.de

PLC programming ☎ +49 (8669) 31-3102

E-Mail: service.plc@heidenhain.de

Lathe controls ☎ +49 (8669) 31-3105

E-Mail: service.lathe-support@heidenhain.de

www.heidenhain.de



Ve 00

626 572-20 · 10/2007

Subject to change without notice