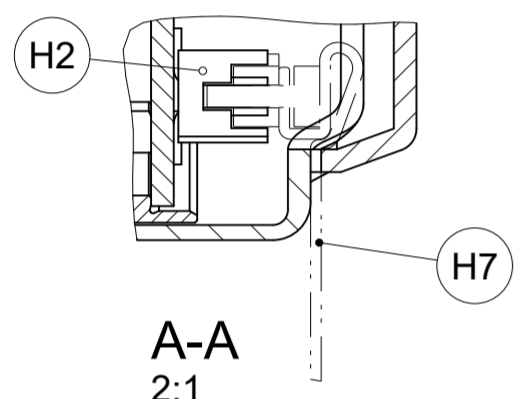
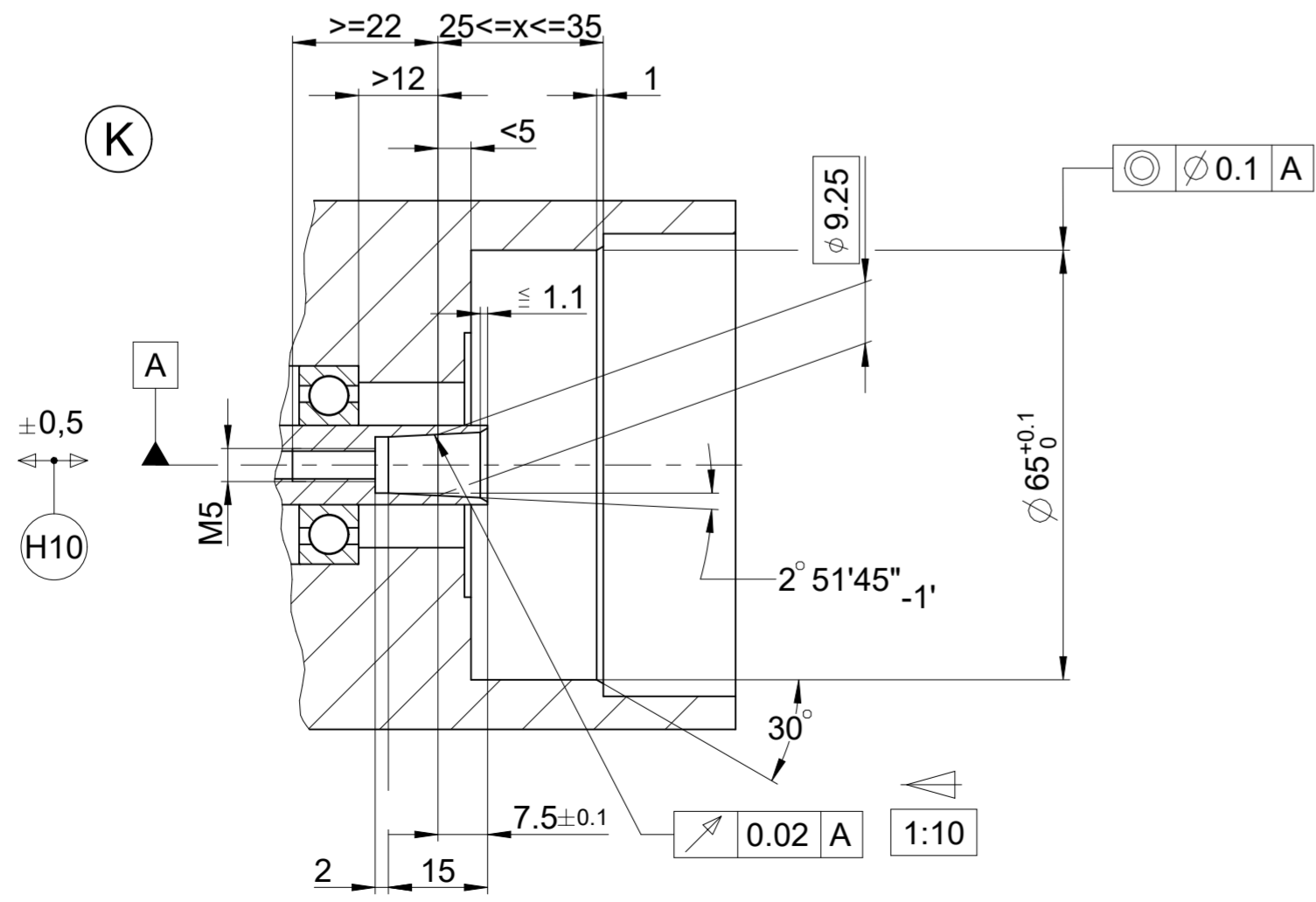
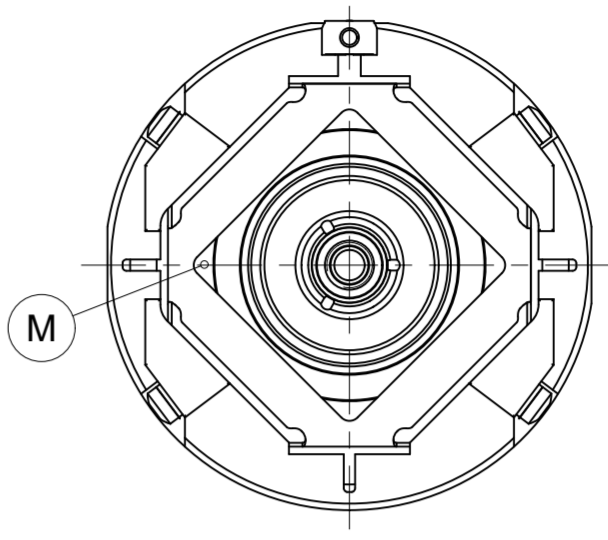
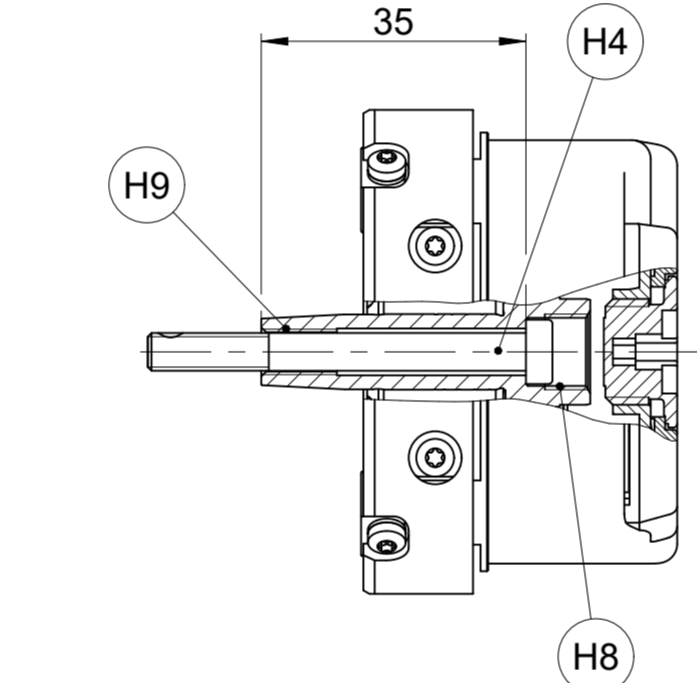
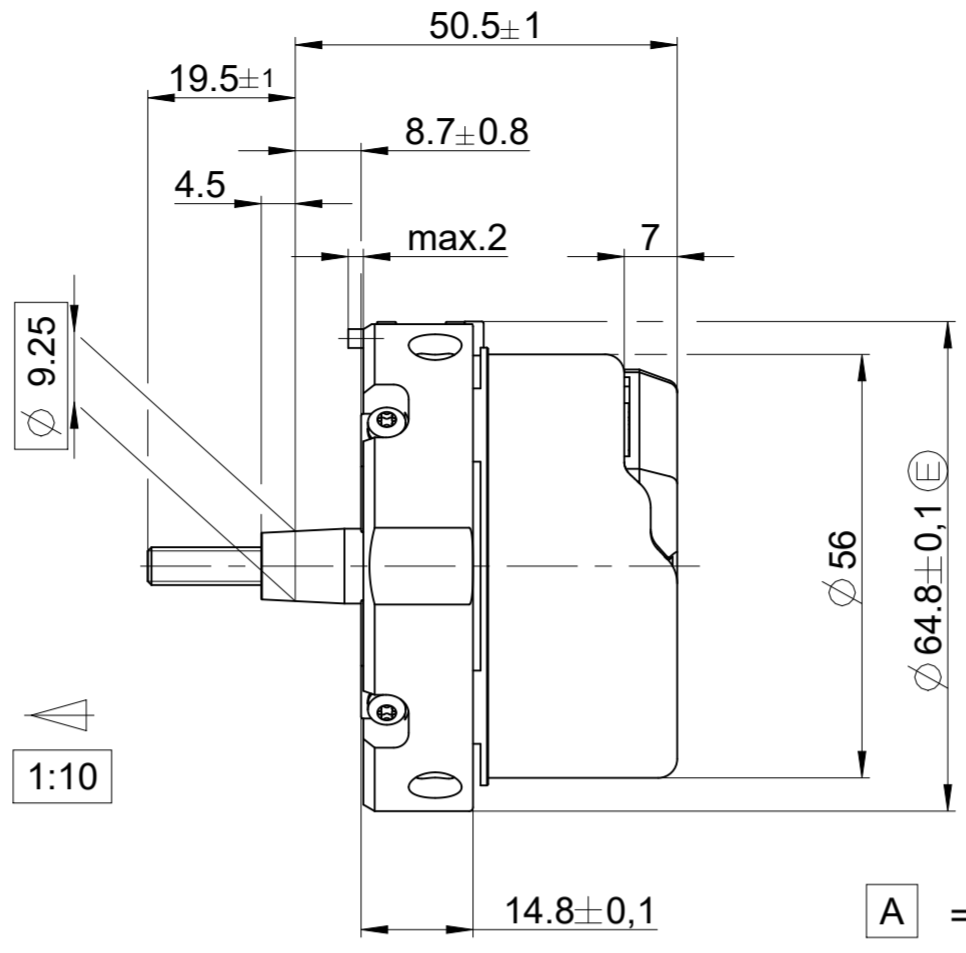
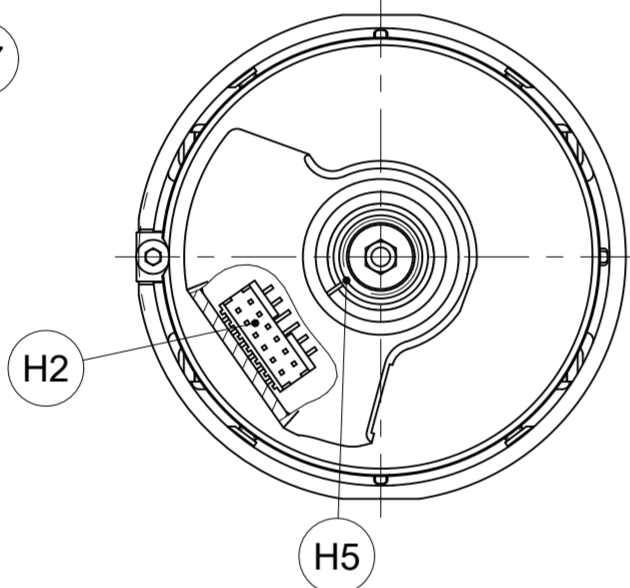


A-A  
2:1



A-A  
2:1



- A = Lagerung Kundenwelle  
Bearings for customer shaft
- K = Kundenseitige Anschlussmaße  
Required mating dimensions
- M = Messpunkt Arbeitstemperatur  
Operating temperature measuring point
- H1 = Klemmschraube für Kupplungsring - SW 2  
Anzugsmoment 1,25 -0,2 Nm  
Locking screw for coupling ring - SW 2  
torque 1,25 -0,2 Nm
- H2 = ERN Stiftleiste 12-pol.  
ERN mit Z1-Spur Stiftleiste 14-pol.  
ERN mit Block-Kommutierung Stiftleiste 16-pol.  
ECN/EQN Stiftleiste 12-pol.  
ECN/EQN Stiftleiste 12-pol. + 4-pol.  
ERN 12-pin connector  
ERN with Z1-track 14-pin connector  
ERN with block-commutating 16-pin connector  
ECN/EQN 12-pin connector  
ECN/EQN 12-pin + 4-pin connector
- H3 = Gussdeckel  
Die-cast cover
- H4 = Selbstsichernde Schraube M5 x 50 DIN6912 - SW 4  
Anzugsmoment 5 +0,5 Nm  
Self locking screw M5 x 50 DIN6912- SW 4  
torque 5 +0,5 Nm
- H5 = ERN Referenzmarkenlage Welle - Kappe  
ECN/EQN Nullposition Welle - Kappe  
ERN reference mark position shaft - housing  
ECN/EQN datum position shaft - housing
- H6 = Verschlussschraube SW 3 und 4  
Anzugsmoment 5 +0,5 Nm  
Locking screw SW 3 and 4  
torque 5 +0,5 Nm
- H7 = mögl. Einbaulage Flachbandkabel  
je nach Ausführung  
Possible placement of the ribbon cable  
depending on the version
- H8 = Abdrückgewinde M10  
Back-off thread M10
- H9 = Abdrückgewinde M6  
Back-off thread M6
- H10 = Ausgleich von Montagetoleranzen und thermischer  
Ausdehnung, keine dynamische Bewegung  
Compensation of mounting tolerances and  
thermal expansion, no dynamic motion

65B	06	R
WELLA1	KUPPA1	RIANA1
Original drawing		ExN 13xx
Scale		ExN 13xx
Format		Anschlussmaße / Mating Dimensions
Dimensions in mm	1:1	A2
Tolerances as per ISO 8015		General Tolerances ISO 2768:1989-mH ±0.2
The reproduction, distribution and utilization of this document as well as the communication of its contents to others without express authorization is prohibited. Offenders will be held liable for the payment of damages. All rights reserved in the event of the grant of a patent, utility model or design. (ISO 16016)		
Released		Version   Revision   Sheet   Page
30.10.2023		D 590486-02 - A-01
DR. JOHANNES HEIDENHAIN GmbH 83301 Traunreut, Germany		1 of 1