



HEIDENHAIN



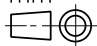
Product Information

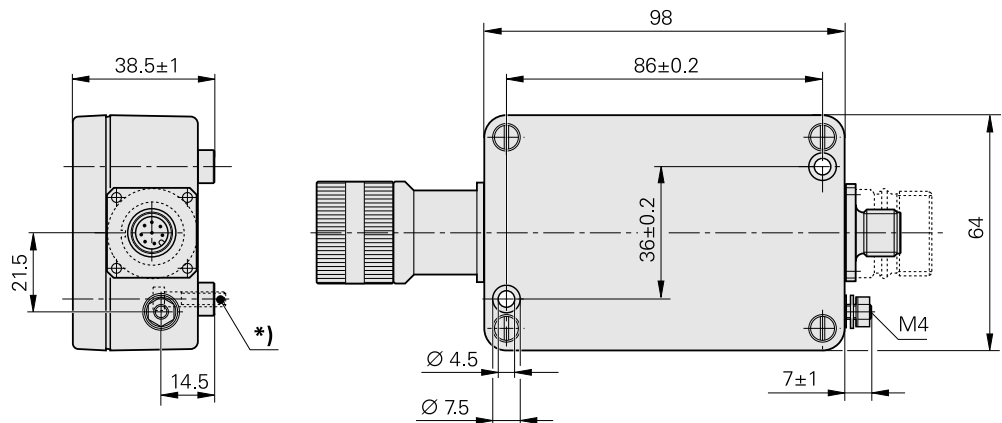
EIB 192

Interface Electronics

EIB 192

- Interpolation and digitizing electronics
- Integrated 16 384-fold subdivision
- Input: Incremental encoders from HEIDENHAIN
- Output: Position values as per EnDat 2.2, Fanuc Serial Interface, or Mitsubishi high speed interface

mm

 Tolerancing ISO 8015
 ISO 2768 - m H
 ≤ 6 mm: ±0.2 mm



*) 2 mounting screws M4 x 16 DIN 912/ISO 4762



Specifications	EIB 192	EIB 192F	EIB 192M
Input	For HEIDENHAIN encoders		
Interface	~ 1 V _{SS} ; input frequency ≤ 400 kHz		
Reference mark	One or distance-coded		
Electrical connection	12-pin M23 flange socket with coupling ring (female)		
Voltage supply for encoders	From EIB supply voltage		
Cable length	≤ 6 m		
Output			
Interface	EnDat 2.2	Fanuc Serial Interface	Mitsubishi High Speed Interface
Ordering designation	EnDat22	Fanuc02	Mit02-4
Calculation time t_{cal} Clock frequency	≤ 5 μs ≤ 16 MHz	–	–
Electrical connection	8-pin M12 flange socket (male)	17-pin M23 flange socket (male)	
Cable length (with HEIDENHAIN cable)	≤ 100 m ¹⁾	≤ 20 m ²⁾	≤ 20 m ²⁾
Subdivision	≤ 16384-fold (depending on encoder)		
Supply voltage	DC 5 V ±0.25 V		
Power consumption (max.)	1900 mW (including I _E max = 150 mA)		
Current consumption (typical, without load)	160 mA + I _E typ		
Operating temperature Storage temperature	0 °C to 70 °C –30 °C to 70 °C		
Vibration 55 Hz to 2000 Hz Shock 11 ms	100 m/s ² (EN 60068-2-6) 300 m/s ² (EN 60068-2-27)		
Protection EN 60529	IP65		
Mass	≈ 0.3 kg		

¹⁾ 5 V ±0.25 V supply voltage must be maintained at the EIB



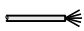
²⁾ I_{Encoder} ≤ 150 mA; greater cable lengths upon request

Electrical connection

Pin layout of EIB input

12-pin M23 flange socket												
Power supply				Incremental signals						Limit pos. sign.		
	12	2	10	11	5	6	8	1	3	4	7	9
	U_P	Sensor U_P	0V	Sensor 0V	A+	A-	B+	B-	R+	R-	H/L1¹⁾	L/L2¹⁾
	Brown/ Green	Blue	White/ Green	White	Brown	Green	Gray	Pink	Red	Black	Violet	Yellow

Pin layout of EIB output

8-pin M12 flange socket					17-pin M23 flange socket			
Power supply				Serial data transfer				
	8	2	5	1	3	4	7	6
EIB 192	U_P	Sensor U_P	0V	Sensor 0V	DATA	DATA	CLOCK	CLOCK
EIB 192F					Serial Data	Serial Data	Request	Request
EIB 192M							Request Frame	Request Frame
	Brown/Green	Blue	White/Green	White	Gray	Pink	Violet	Yellow

Shield on housing; **U_P** = Power supply voltage

Sensor: The sense line is connected internally to the power supply line.

Vacant pins or wires must not be used!

¹⁾ Only for adjusting; do not use in normal operation

Configuration of the EIB 192

In order to ensure that the EIB 192 functions correctly together with the encoder, certain encoder parameters must be stored in the EIB 192 (such as the number of signal periods, nominal increment of the reference marks, encoder ID, etc.). Only HEIDENHAIN can program this information. This information is also printed on the ID label. It can also be read out via the EnDat interface.

Information on the ID label

The **data interface** designates the type of interface for transmission of the position values at the output of the EIB.

Line count or signal period

For rotatory encoders the number of signal periods per revolution is indicated. For linear encoders the signal period is shown in μm .

The **encoder ID** indicates the type of encoder that can be connected, e.g.

EnDat 2.2:
00 Incremental linear encoder without distance-coded reference marks
10 Incremental linear encoder with distance-coded reference marks
80 Incremental rotary or angle encoder without distance-coded reference marks
90 Incremental rotary or angle encoder with distance-coded reference marks
For the EnDat interface, this value is stored in word 14 of the EnDat 2.1 parameters.

The **nominal increment N of the reference marks** is indicated in signal periods if the connected encoder has distance-coded reference marks (EnDat 2.2 encoder ID = 10 or 90).

Example:

Connection of an ERM 280 (line count: 1024) with an EIB 192 to the EnDat 2.2 interface

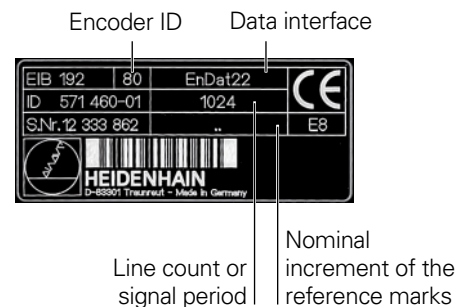
Information on the ID label:

Data interface: EnDat22

Encoder ID: 80

Line count or signal period: 1024

Nominal increment of the ref. marks: –



Connection information

Establishing the absolute reference

Because incremental encoders are connected to the EIB 192, immediately after switch-on it provides relative position values that begin with the position upon switch-on. The absolute reference is not established until the reference marks are traversed.

For encoders with distance-coded reference marks, two successive reference marks must be traversed without changing direction.

EIB 192: Requirements for the EIB

EnDat 2.2 permanently provides the relative position as Position 1. When absolute reference is established, the RM bit is set in the EnDat additional data, and the absolute position value is transmitted as Position 2. Before you use the EIB 192, please check whether the subsequent electronics support this EnDat 2.2 device profile for incremental encoders.

Please note:

It is not possible to combine the EIB 192 and interface electronics with DRIVE CLiQ interface (e.g. EIB 2391 S or EIB 3391 S), because these interface electronics accept only absolute encoders.

EIB 192: Online diagnostics

The EIB 192 supports the online diagnostics of EnDat 2.2 and provides valuation numbers for the incremental track.

HEIDENHAIN

DR. JOHANNES HEIDENHAIN GmbH

Dr.-Johannes-Heidenhain-Straße 5

83301 Traunreut, Germany

☎ +49 8669 31-0

FAX +49 8669 32-5061

E-mail: info@heidenhain.de

www.heidenhain.de

This Product Information document supersedes all previous editions, which thereby become invalid. The basis for ordering from HEIDENHAIN is always the Product Information valid when the contract is made.



Further information:

Comply with the requirements described in the following documents to ensure the correct operation of the encoder:

- Product overview: *Interface Electronics* 598160-xx
- Brochure: *Interfaces of HEIDENHAIN Encoders* 1078628-xx
- Brochure: *Cables and Connectors* 1206103-xx

For brochures and product information documents, visit www.heidenhain.de.