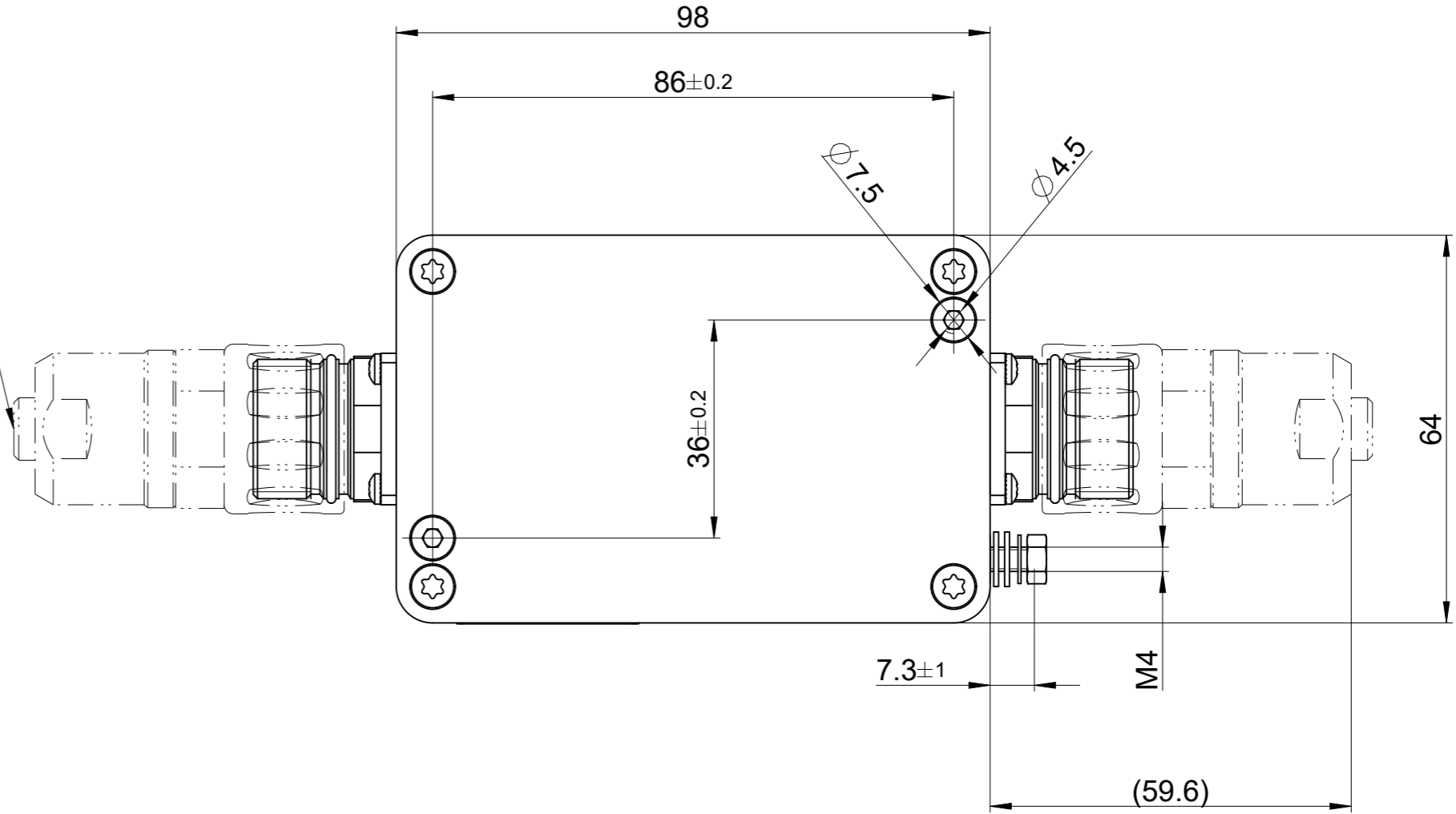
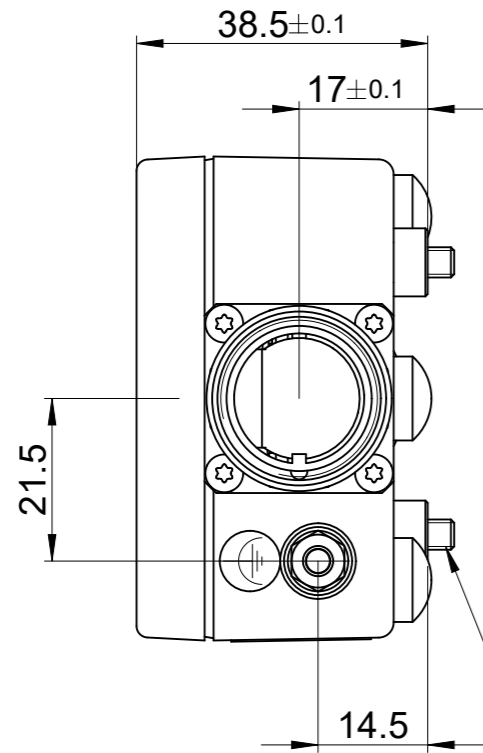


bei Dauerbiegeanspruch $R \geq 100$
 bei einmaliger Biegung $R \geq 40$
 For frequent flexing $R \geq 100$
 For rigid configuration $R \geq 40$



2 Befestigungsschrauben
 2 fixing screws
 M4x16 DIN 912 / ISO 4762

- 536422-xx
- 536421-xx
- 536398-xx
- 536397-xx

		ID number:	
		Change No.	C082962-06
		Phase:	Serie
	Original drawing	EXE 10x / IBV 10x EXE 10x / IBV 10x Anschlussmaße / Mating Dimensions	
	Scale Format		
Dimensions in mm	1:1 A3	Tolerierung nach DIN ISO 8015 Tolerances as per DIN ISO 8015	
		Allgemeintol. ISO 2768-mH $\leq 6\text{mm}$: $\pm 0,2$ General tol. ISO 2768-mH $\leq 6\text{mm}$: $\pm 0,2$	
The reproduction, distribution and utilization of this document as well as the communication of its contents to others without express authorization is prohibited. Offenders will be held liable for the payment of damages. All rights reserved in the event of the grant of a patent, utility model or design. (ISO 16016)			
HEIDENHAIN DR. JOHANNES HEIDENHAIN GmbH 83301 Traunreut, Germany		Version	Revision
		Sheet	Page
D 536448-00-A-02		1	1
Document number			

