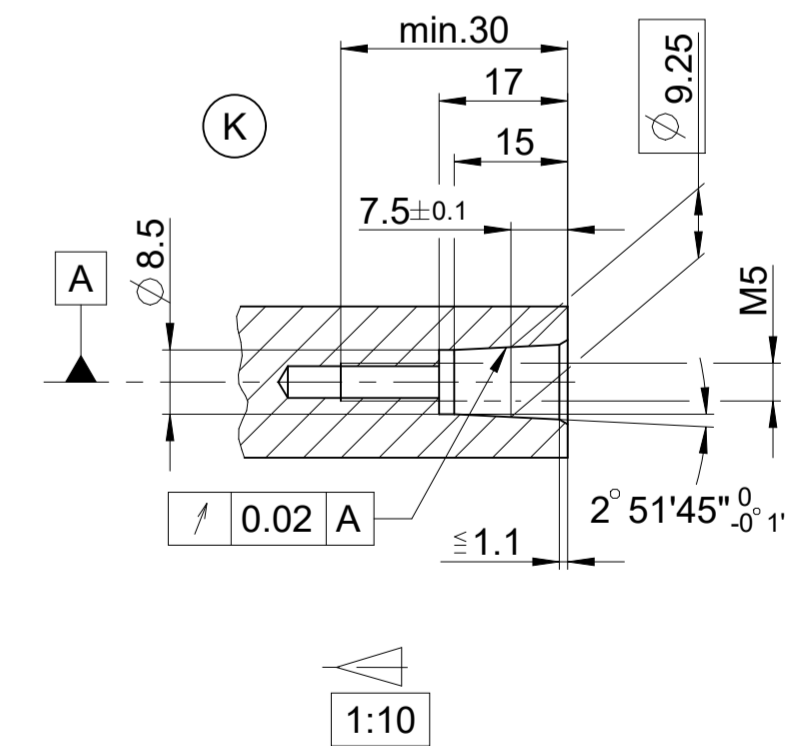
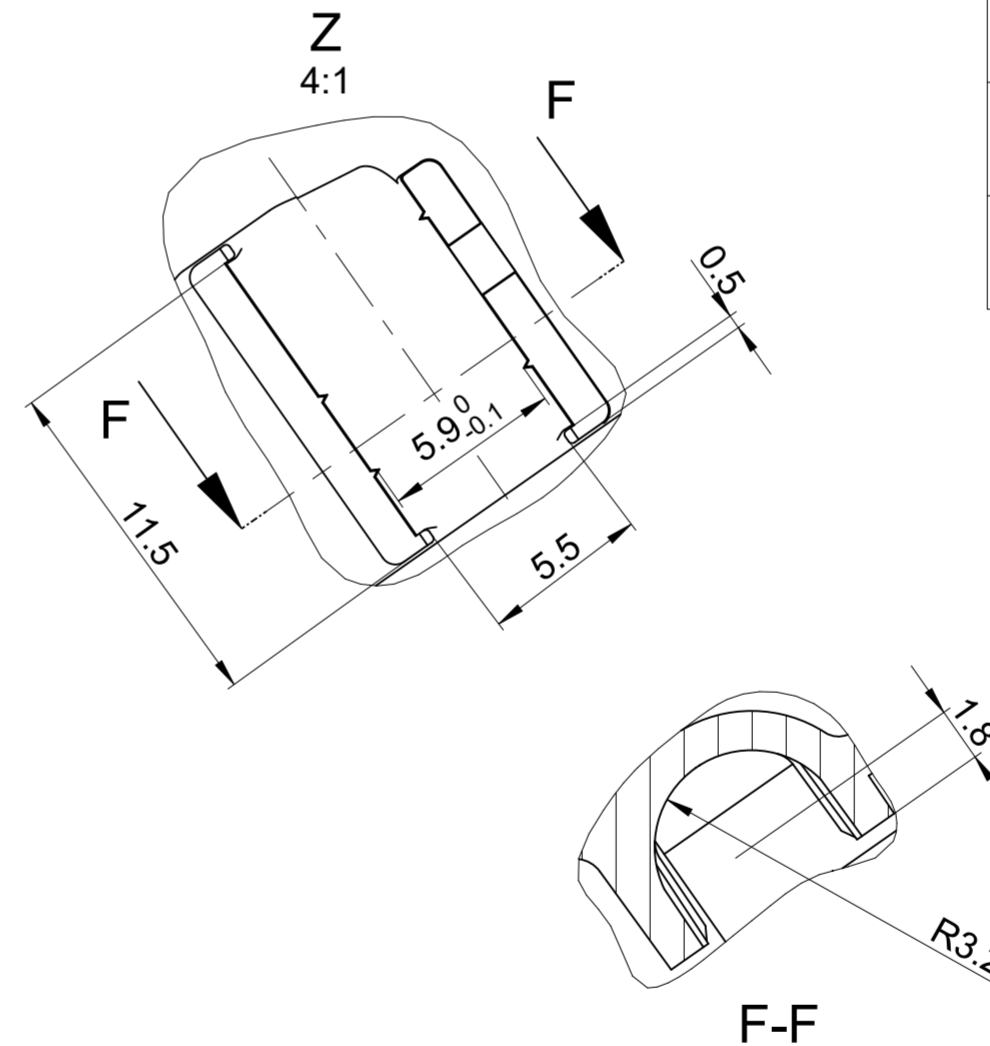


	L1	L2
ERN	50,5±1	14,5
ECN/EQN Generation 3.2 HIATUS	50,5±1	14,5
EQN Generation 3.1 Fotoelemente	51±1	15



- A** = Lagerung Kundenwelle
- B** = Lagerung Geber
- K** = Kundenseitige Anschlussmaße
- M1** = Messpunkt Arbeitstemperatur
- M2** = Messpunkt Vibration
- H1** = ERN 1331 Stiftleiste 12-pol.  
ERN 1381 Stiftleiste 14-pol.  
ERN 1387 Stiftleiste 14-pol.  
EQN 1325 Stiftleiste 12-pol.  
EQN 1337 Stiftleiste 12pol.+4pol.  
ECN 1325 Stiftleiste 12pol.+4pol.
- H2** = Befestigung für Kabel mit Crimp-Hülse  $\phi 6 +0,3 \times 10$
- H3** = Gussdeckel
- H4** = Verschlusschraube SW3 und 4  
Anzugsmoment 5 -1 Nm
- H5** = ERN Referenzmarkenlage Welle - Kappe  
ECN/EQN Nullposition Welle - Kappe
- H6** = Abdrückgewinde nach entfernter Befestigungsschraube
- H7** = Abdrückgewinde für gelöste Befestigungsschraube

- Bearings for customer shaft
- Bearings for encoder
- Required mating dimensions
- Operating temperature measuring point
- Vibrations measurement point
- ERN 1331 12-pin connector  
ERN 1381 14-pin connector  
ERN 1387 14-pin connector  
EQN 1325 12-pin connector  
EQN 1337 12-pin + 4-pin connector  
ECN 1325 12-pin + 4-pin connector
- mounting for cable with crimp barrel of  $\phi 6 +0,3 \times 10$
- Die-cast cover
- Locking screw SW3 and 4  
torque 5 -1 Nm
- ERN reference mark position shaft - housing  
ECN/EQN Datum position shaft - housing
- back-off thread after mounting screw has been removed
- back-off thread for loosened mounting screw

65B	37B	Allgemeintoleranzen ISO 2768:1989-mH $\leq 6\text{mm}$ : $\pm 0,2$ General tolerances ISO 2768:1989-mH $\leq 6\text{mm}$ : $\pm 0,2$	
WELLA1	FOKAA1	ID number:	528719-01
		Change No.	C151346-05
		Phase:	Serie
		Tolerances as per ISO 8015	
		General Tolerances ISO 2768:1989-mH $\leq 6\text{mm}$ : $\pm 0,2$	
		The reproduction, distribution and utilization of this document as well as the communication of its contents to others without express authorization is prohibited. Offenders will be held liable for the payment of damages. All rights reserved in the event of the grant of a patent, utility model or design. (ISO 16016)	
Original drawing Scale: 1:1 Format: A2 Dimensions in mm: 1:1 A2		<b>ExN 13xx mit Entwärmungsring</b> <b>ExN 13xx</b> Anschlussmaße / Mating Dimensions	
<b>HEIDENHAIN</b> DR. JOHANNES HEIDENHAIN GmbH 83301 Traunreut, Germany		Released	Version   Revision   Sheet   Page
		30.10.2023	D 528719-12-A-01 1 of 1
		Document number	