



HEIDENHAIN



Mounting Instructions

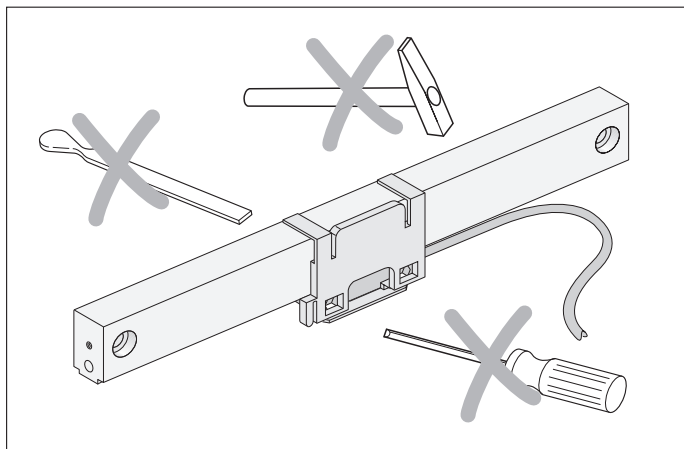
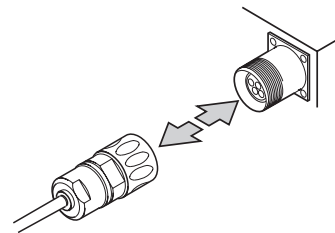
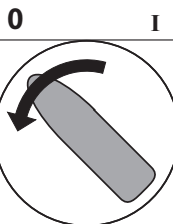
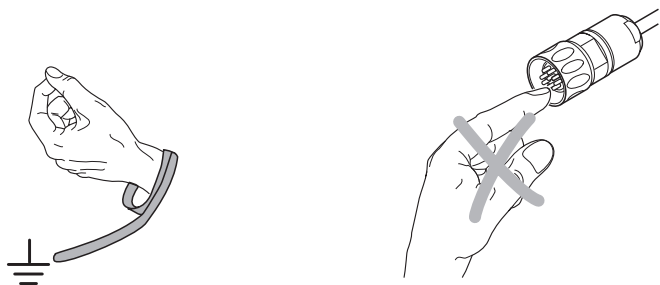
LS 1378 C

12/2005

Warnings

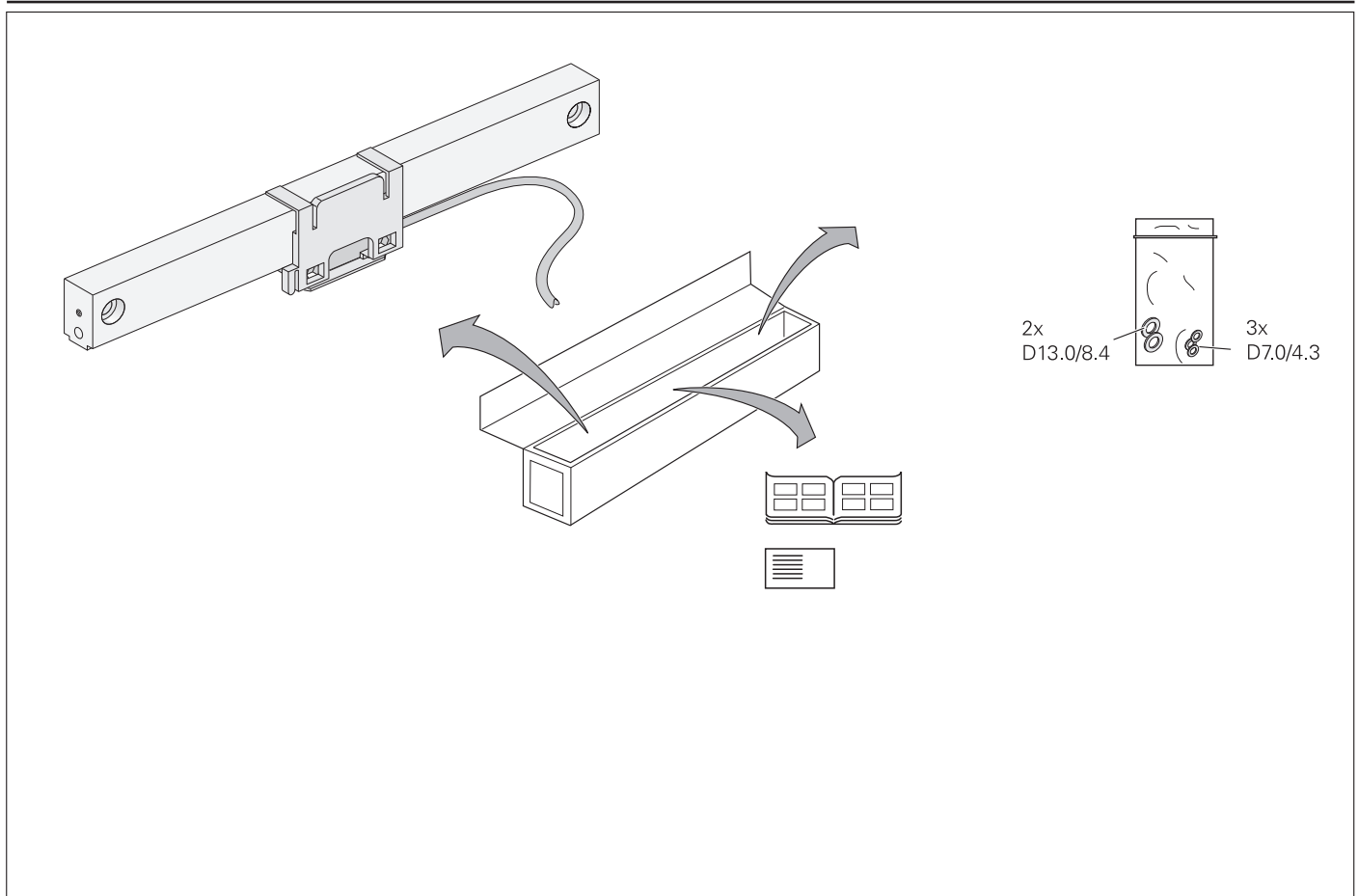


DIN EN 61340-5-1
DIN EN 61340-5-2

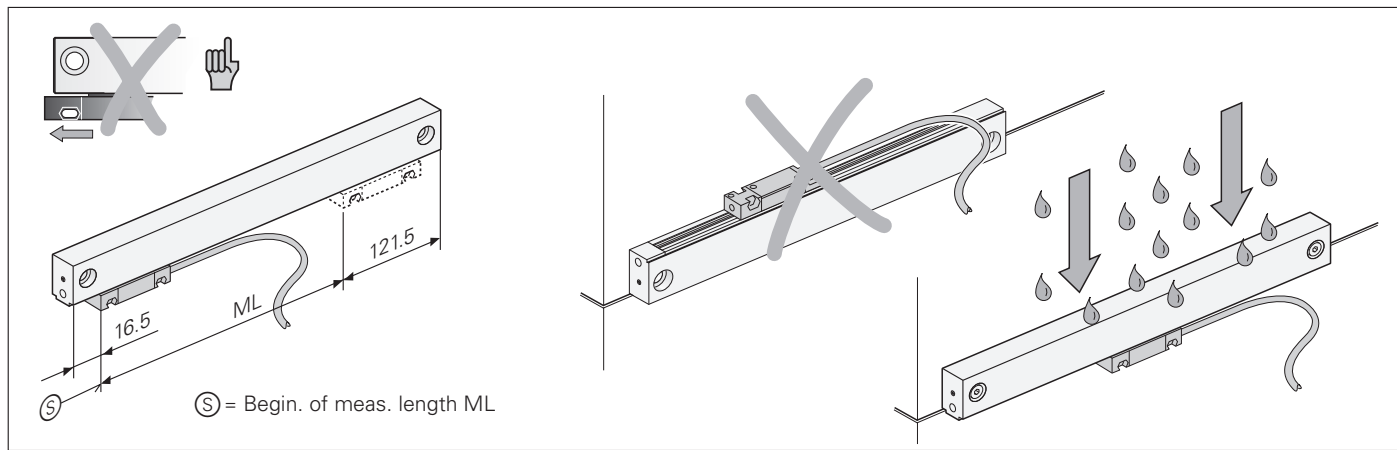


Dimensions in mm

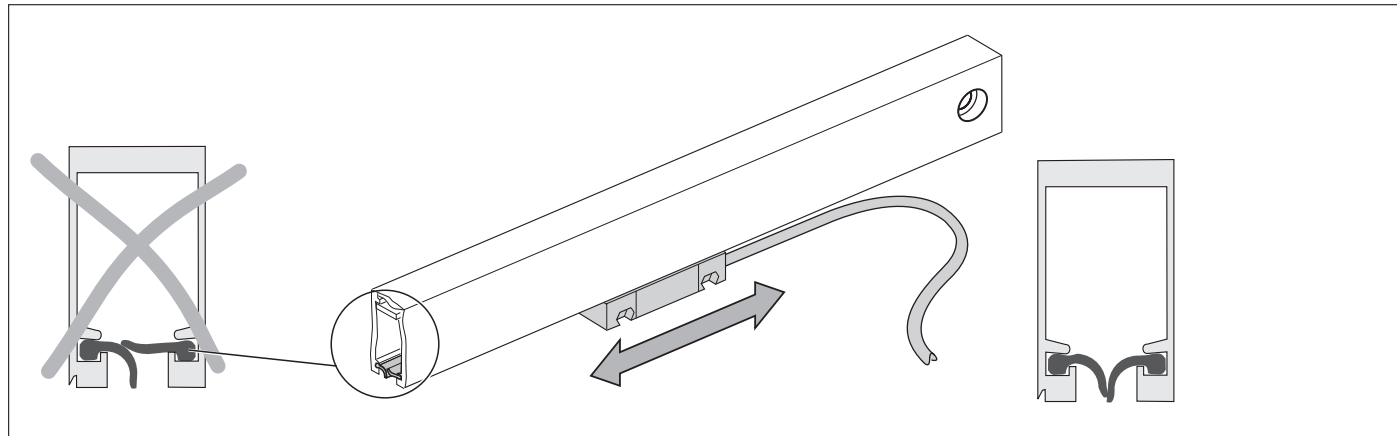
Items Supplied



Mounting Procedure



Inspect Sealing Lips



Dimensions

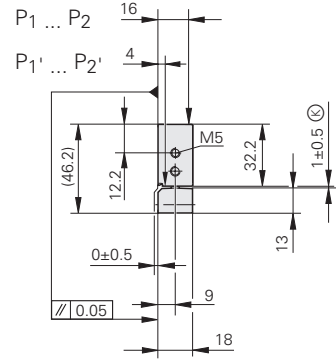
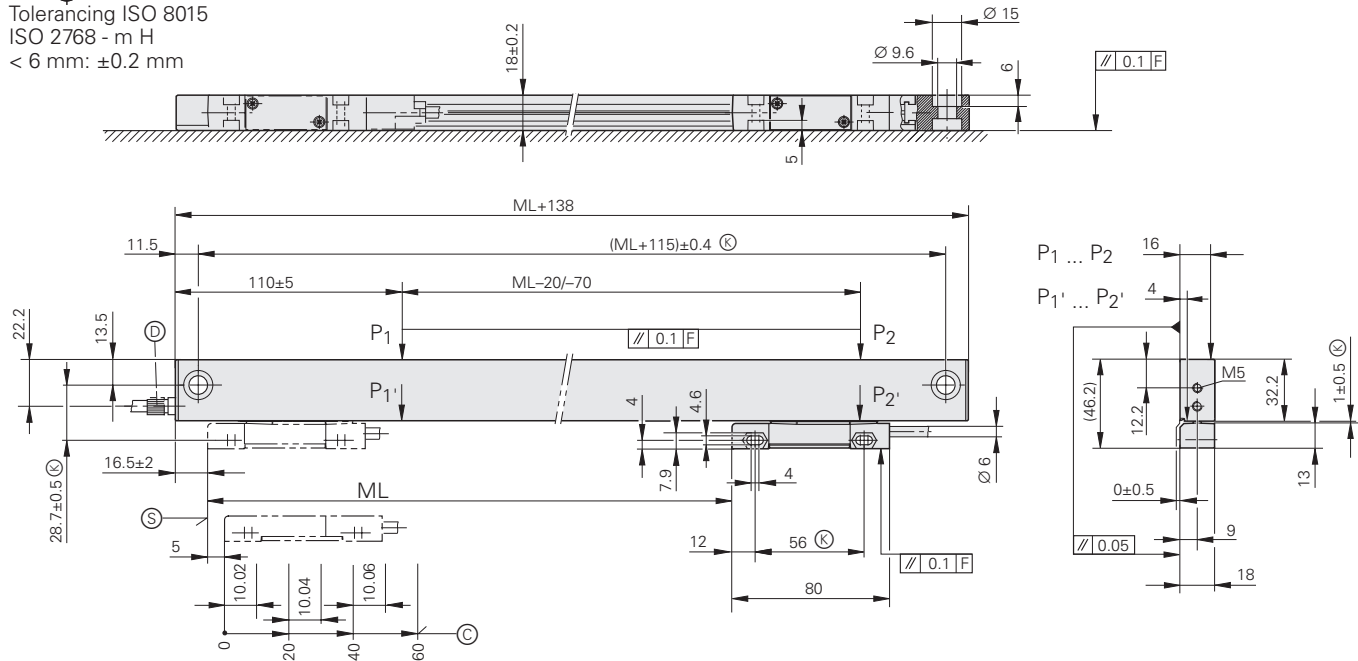
mm



Tolerancing ISO 8015

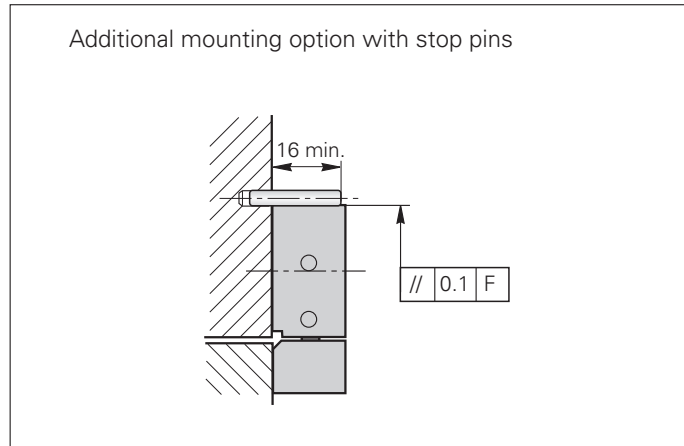
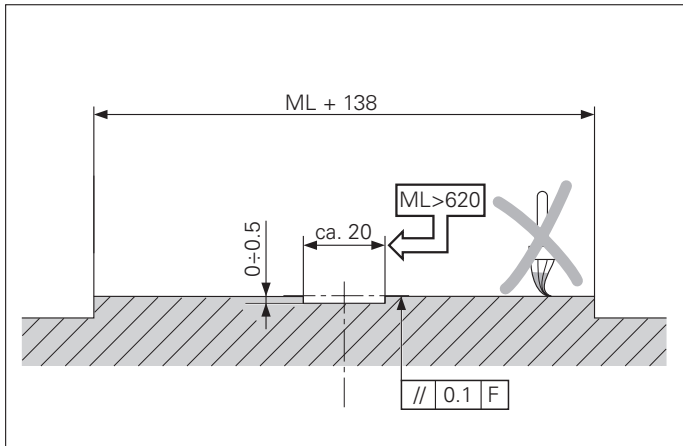
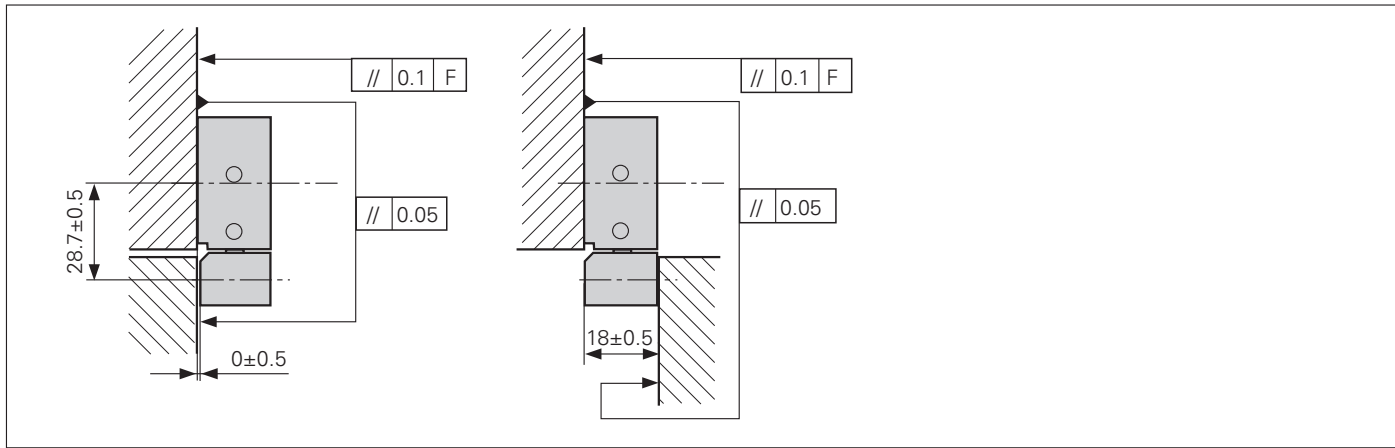
ISO 2768 - m H

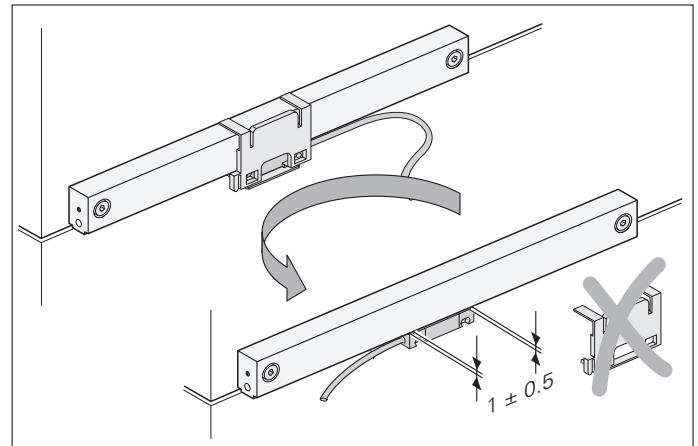
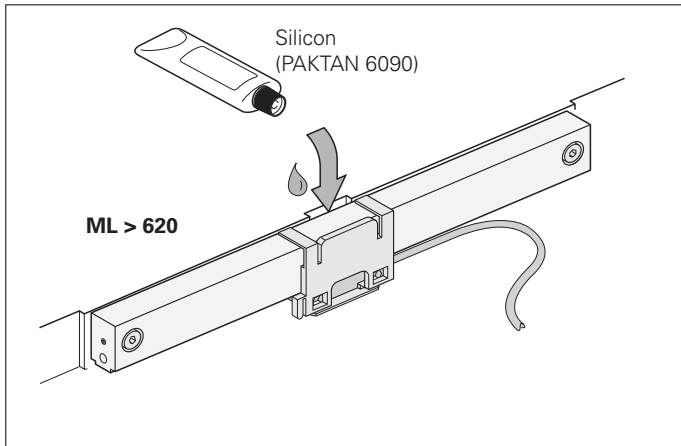
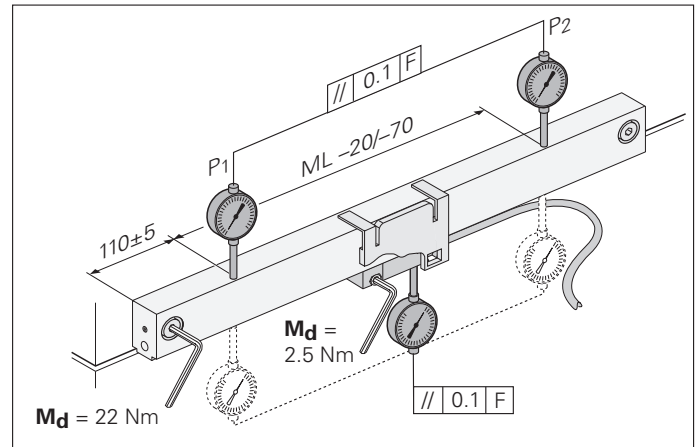
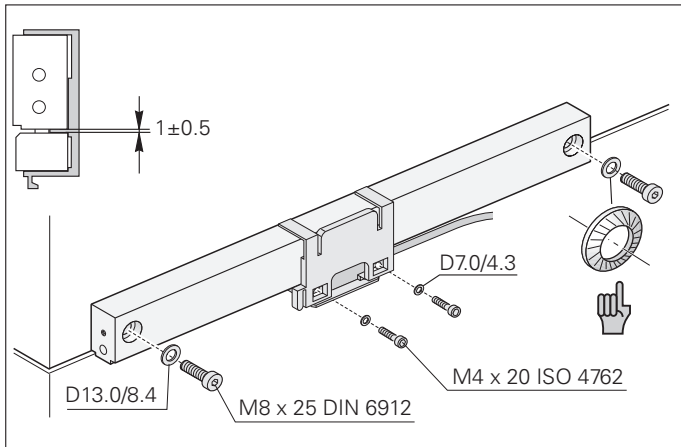
< 6 mm: ±0.2 mm



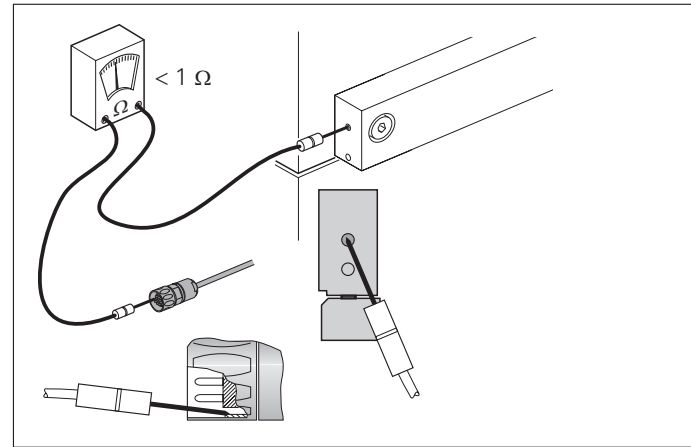
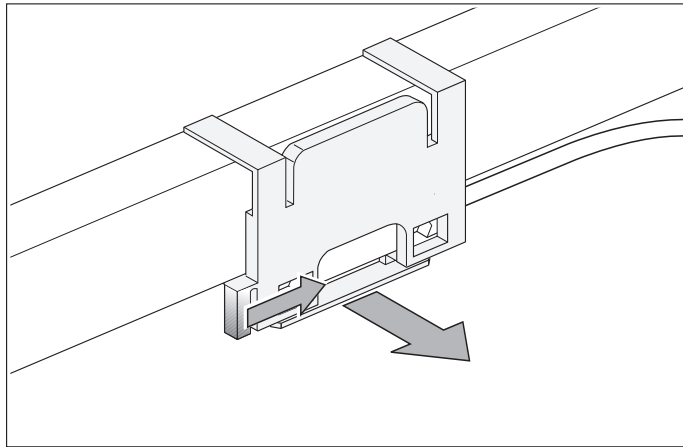
- P = Gauging points for alignment
- Ⓢ = Begin. of meas. length ML
- Ⓒ = Reference mark
- Ⓚ = Required mating dimensions
- Ⓜ = Machine guideway
- Ⓛ = Compressed air inlet

Mounting

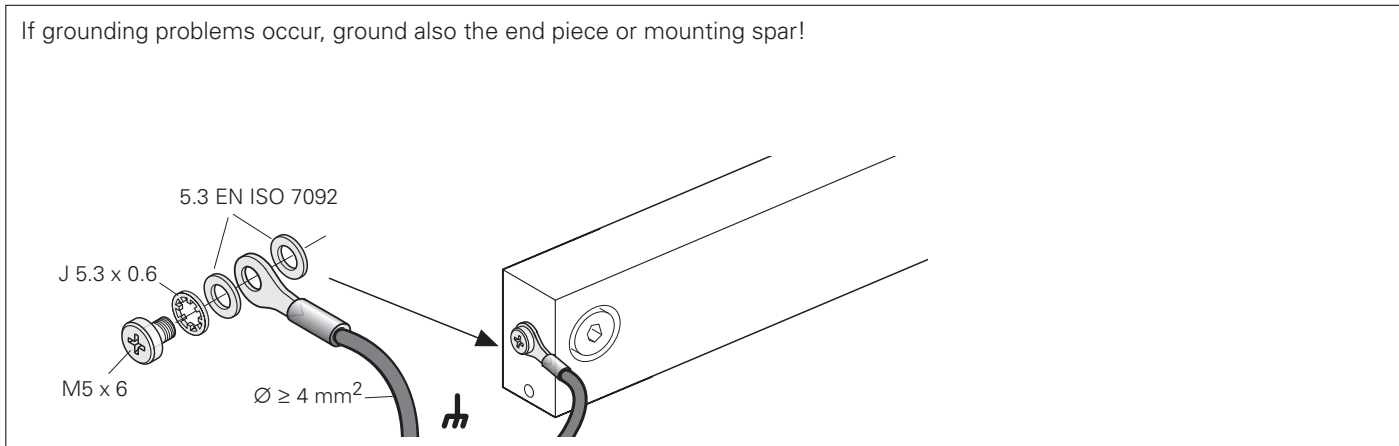




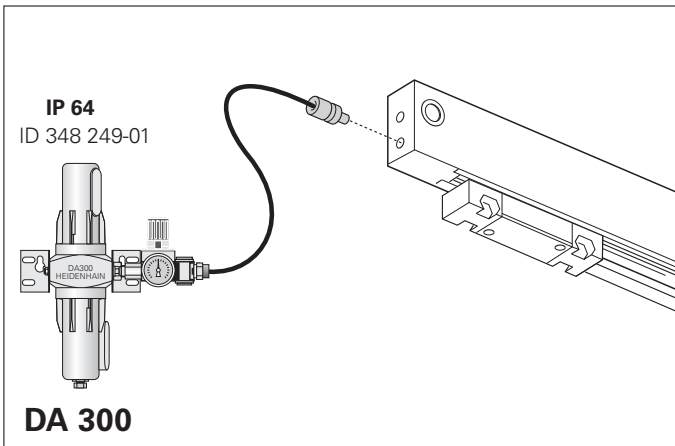
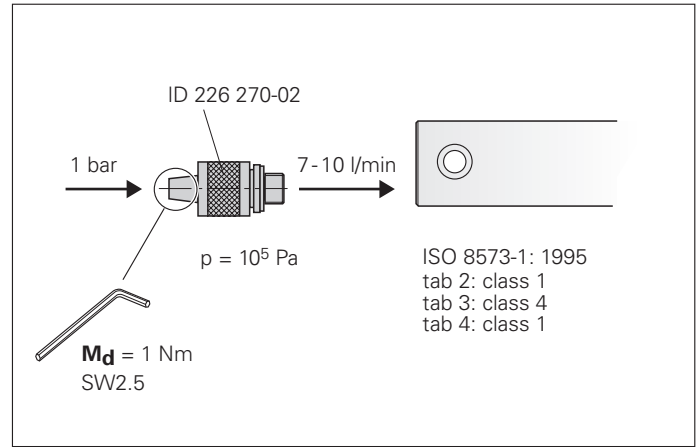
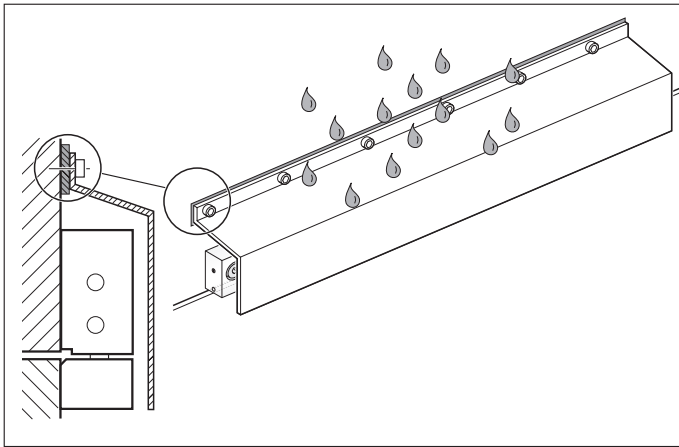
Final Steps



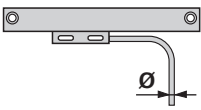
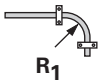
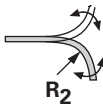

If grounding problems occur, ground also the end piece or mounting spar!

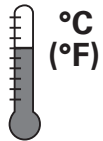
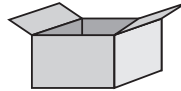


Protective Measures

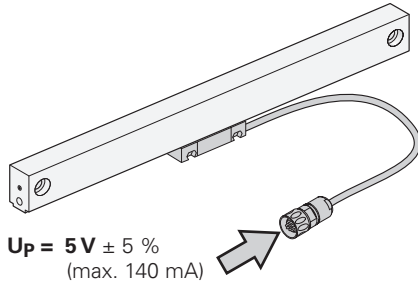



Specifications

		
<p>Ø 6 mm</p>	<p>$R_1 \geq 20 \text{ mm}$</p>	<p>$R_2 \geq 75 \text{ mm}$</p>
 <p>Ø 8 mm</p>	<p>$R_1 \geq 40 \text{ mm}$</p>	<p>$R_2 \geq 100 \text{ mm}$</p>

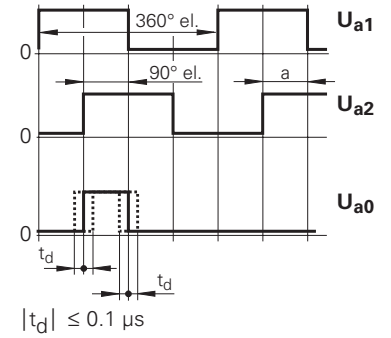
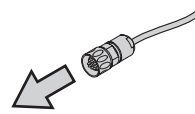
	 <p>-20 ... 70 °C (- 4 ... 158 °F)</p>
---	---

Electrical Data

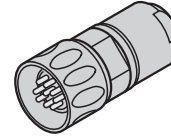
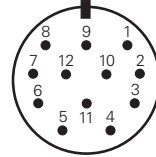
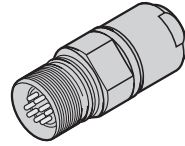
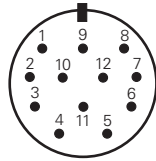


 EN 50 178/4.98; 5.2.9.5
IEC 364-4-41: 1992; 411(PELV/SELV)
(See HEIDENHAIN D 231 929)

U_{a1}, U_{a2}, U_{a0}
U_{a1}, U_{a2}, U_{a0}, U_{aS}



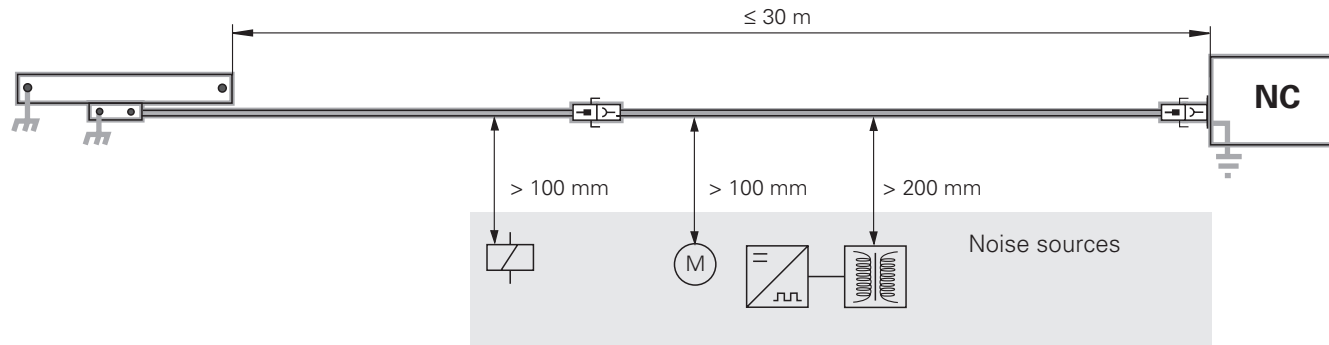
Electrical Connection

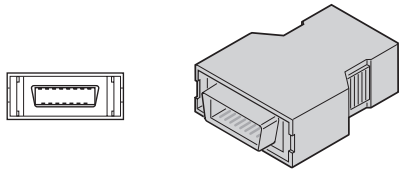


Shield on housing

12	2	10	11	5	6	8	1	3	4	7	/	9
5V U_P	5V Sensor	0V U_N	0V Sensor	U_{a1}	$\overline{U_{a1}}$	U_{a2}	$\overline{U_{a2}}$	U_{a0}	$\overline{U_{a0}}$	$\overline{U_{aS}}$	/	/
BNGN	BU	WHGN	WH	BN	GN	GY	PK	RD	BK	VT	YE	/

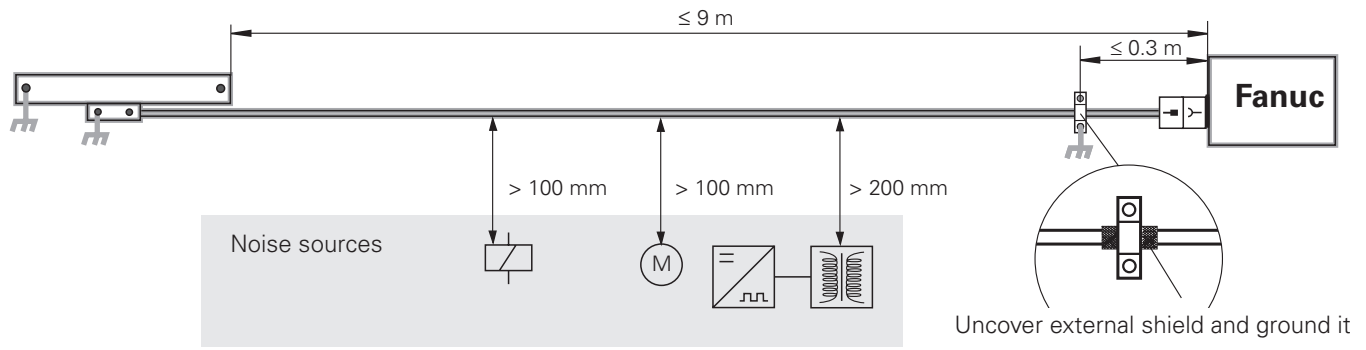
The sensor line is connected internally with the power supply



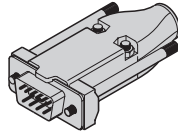
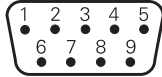


9	18/20	12	14	1	2	3	4	5	6	7	8	9	16
5V U_P	5V Sensor	0V U_N	0V Sensor	U_{a1}	$\overline{U_{a1}}$	U_{a2}	$\overline{U_{a2}}$	U_{a0}	$\overline{U_{a0}}$	/	/	/	Shield
BNGN	BU	WHGN	WH	BN	GN	GY	PK	RD	BK	YE	VT	/	

The sensor line is connected internally with the power supply

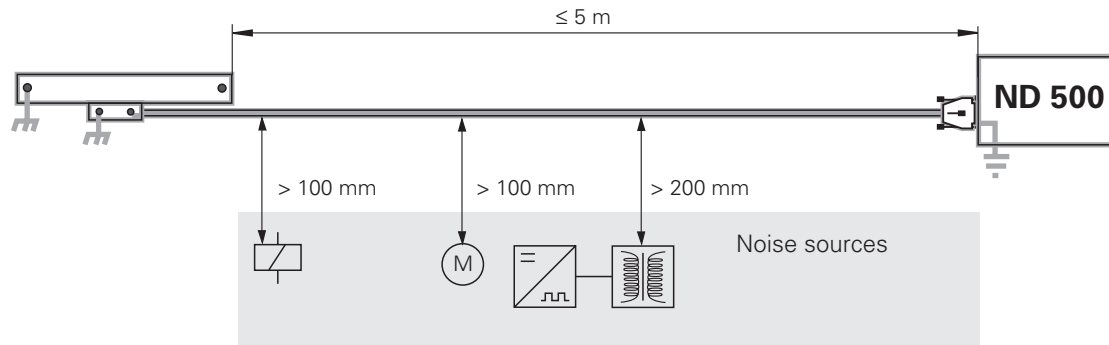


Electrical Connection



Shield on housing

7	6	2	3	4	5	9	8	1	/	/	/
5V U _P	0V U _N	U _{a1}	$\overline{U_{a1}}$	U _{a2}	$\overline{U_{a2}}$	U _{a0}	$\overline{U_{a0}}$	/	/	/	/
BNGN	WHGN	BN	GN	GY	PK	RD	BK	VT	YE	BU	WH





HEIDENHAIN

Ve 00
516 344-20 · 2/2008 · Printed in Germany
Subject to change without notice

