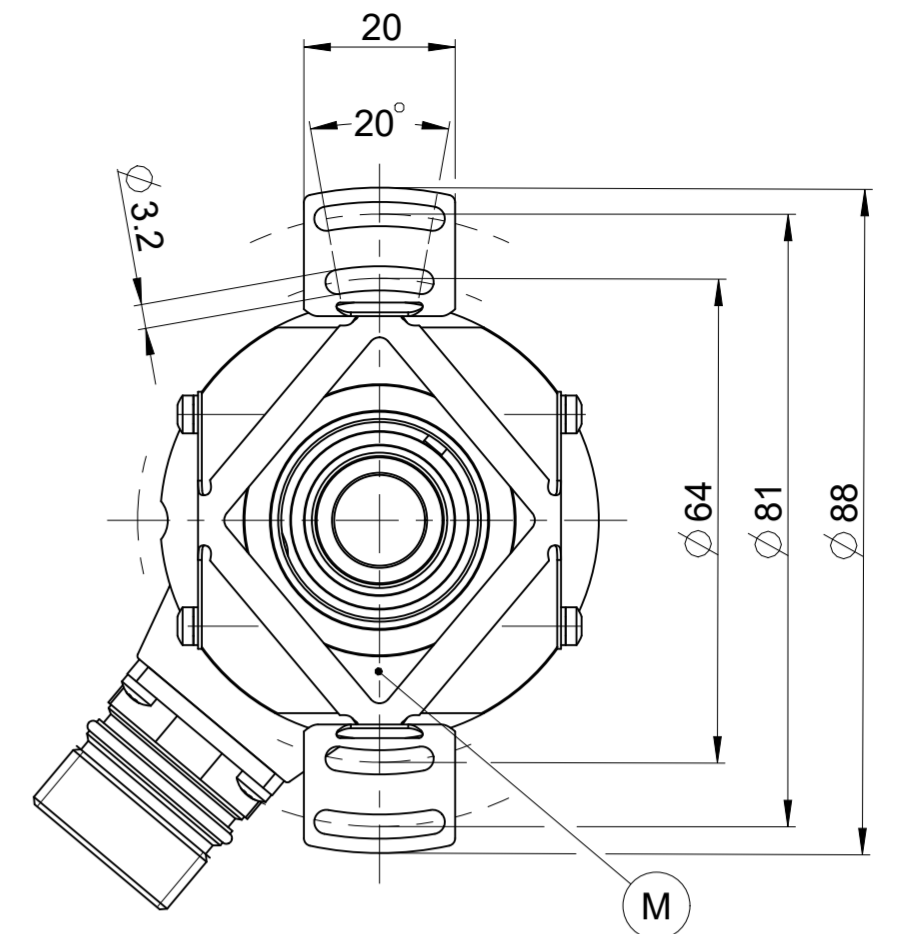
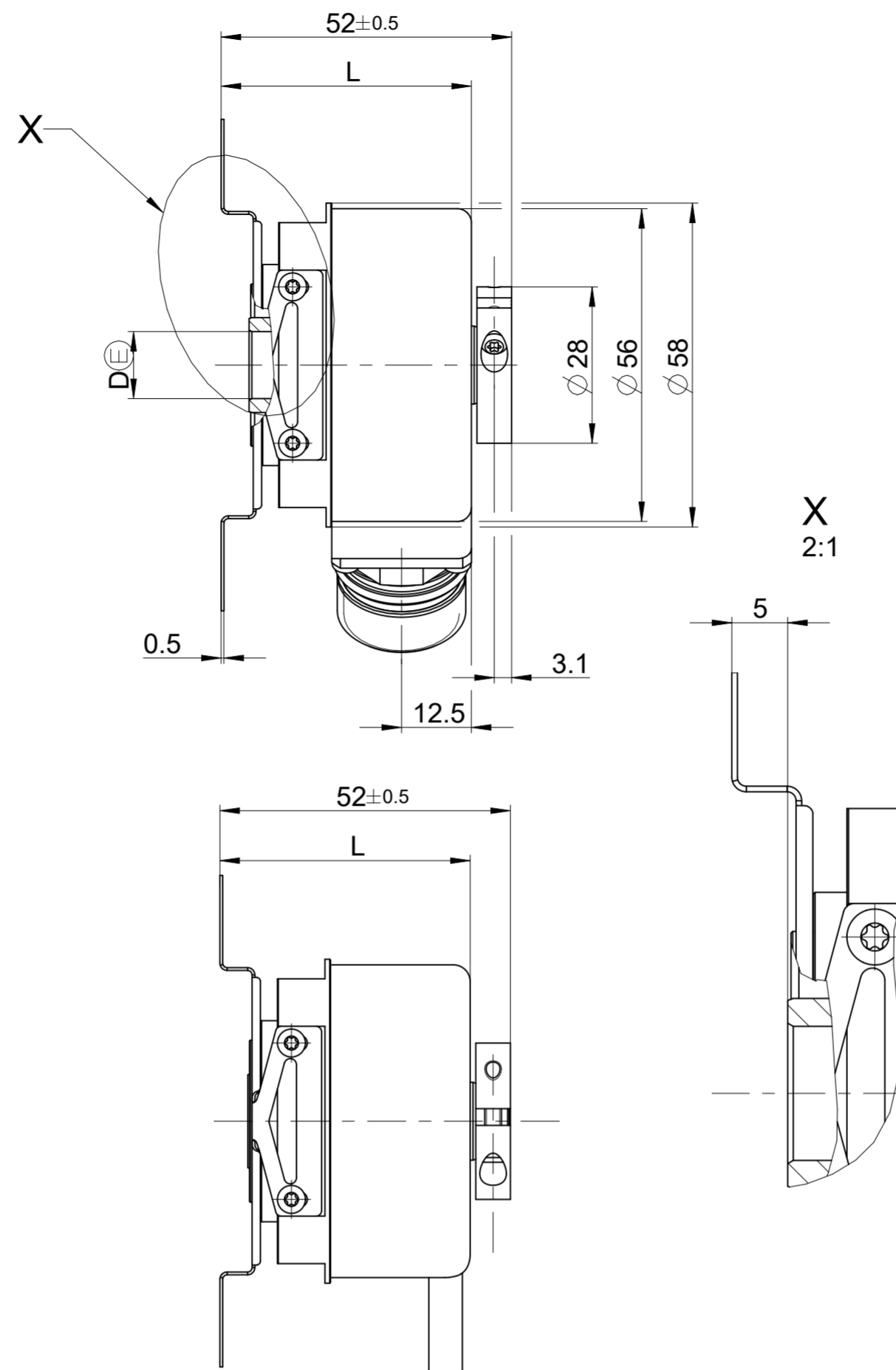
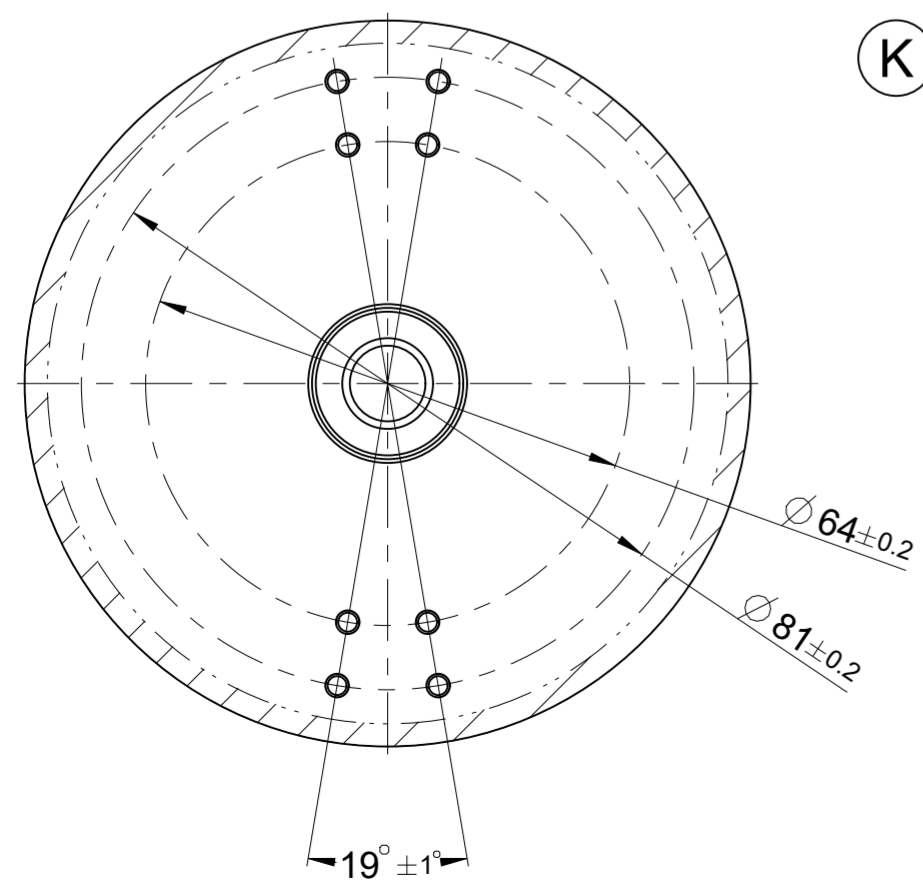


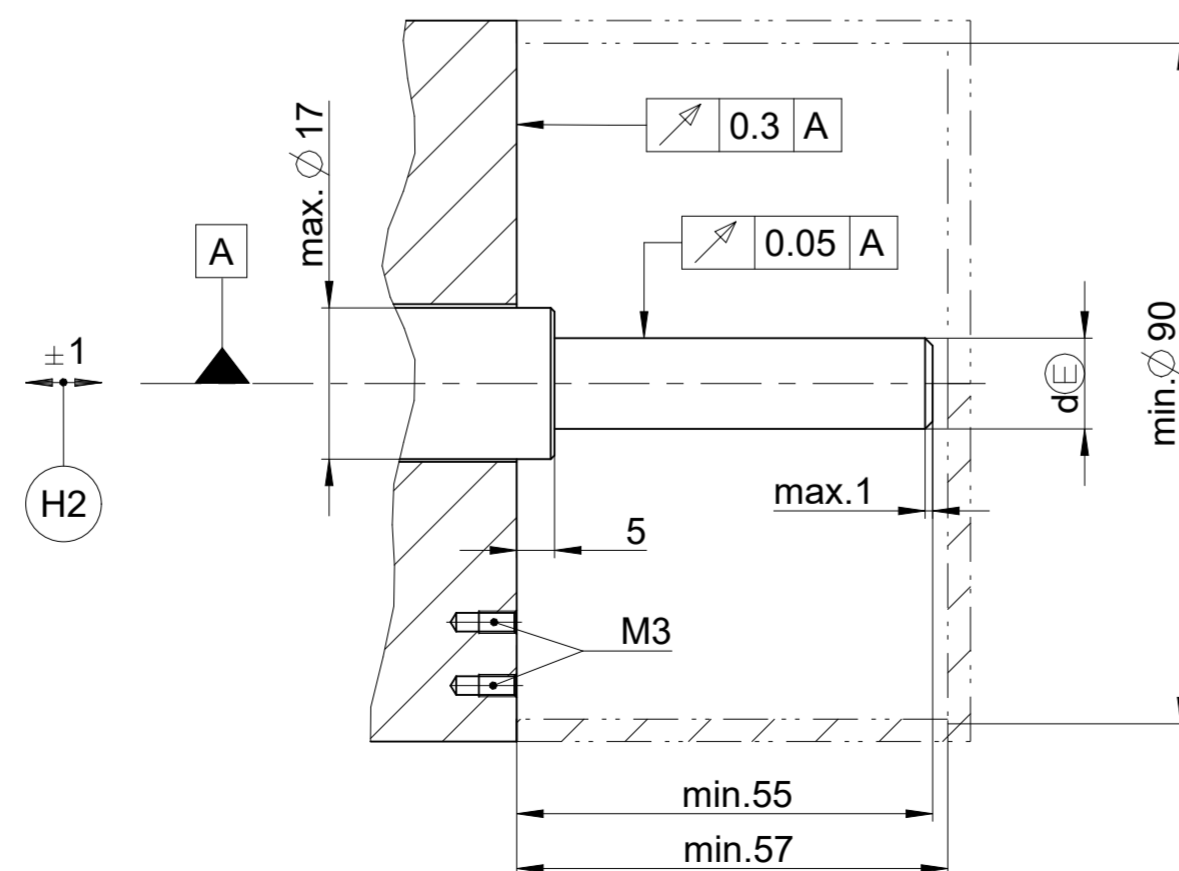
KABEA2	A
01	φ 4.5
02	φ 6



	ERN		L
Generation ≥ 3.2	ECN / EQN		44,8 ± 0,5
Generation 3.1	ECN / EQN	512 Striche / Lines	44,8 ± 0,5
Generation 3.1	ECN / EQN	2048 Striche / Lines	45,3 ± 0,5

- A** = Lagerung Kundenwelle      Bearing for customer shaft
- K** = Kundenseitige Anschlußmaße      Required mating dimensions
- M** = Messpunkt Arbeitstemperatur      Operating temperature measuring point
- H1** = Klemmschraube mit Innensechsrund X8 Anzugsmoment 1,1 ± 0,1 Nm      Locking screw with hexalobular recesses X8 torque 1,1 ± 0,1 Nm
- H2** = Ausgleich von Montagetoleranzen und thermischer Ausdehnung, keine dynamische Bewegung      Compensation of mounting tolerances and thermal expansion, no dynamic motion

69A	φ 14H7	φ 14g7	44
69B	φ 12H7	φ 12g7	44
69C	φ 10H7	φ 10g7	44
WELLA1	D	d	KUPPA1



Original drawing		ERNECNEQN 4xx		ID number:
Scale	Format	ERNECNEQN 4xx		Change No. C053432-83
Dimensions in mm	1:1	Anschlussmaße / Mating Dimensions		Phase: Serie
The reproduction, distribution and utilization of this document as well as the communication of its contents to others without express authorization is prohibited. Offenders will be held liable for the payment of damages. All rights reserved in the event of the grant of a patent, utility model or design. (ISO 16016)				Tolerances as per ISO 8015
General Tolerances ISO 2768:1989-mH ± 6mm: ± 0.2				
<b>HEIDENHAIN</b> DR. JOHANNES HEIDENHAIN GmbH 83301 Traunreut, Germany		Released 19.03.2024	Version   Revision   Sheet   Page D 515780-06-A-01 1 of 1	