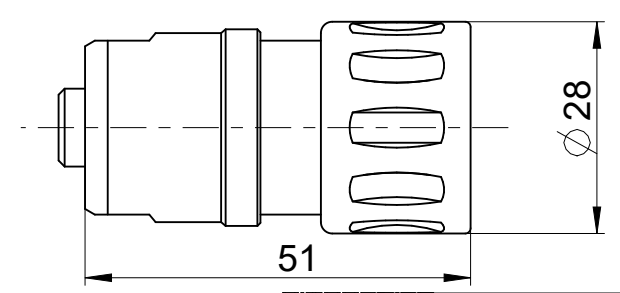
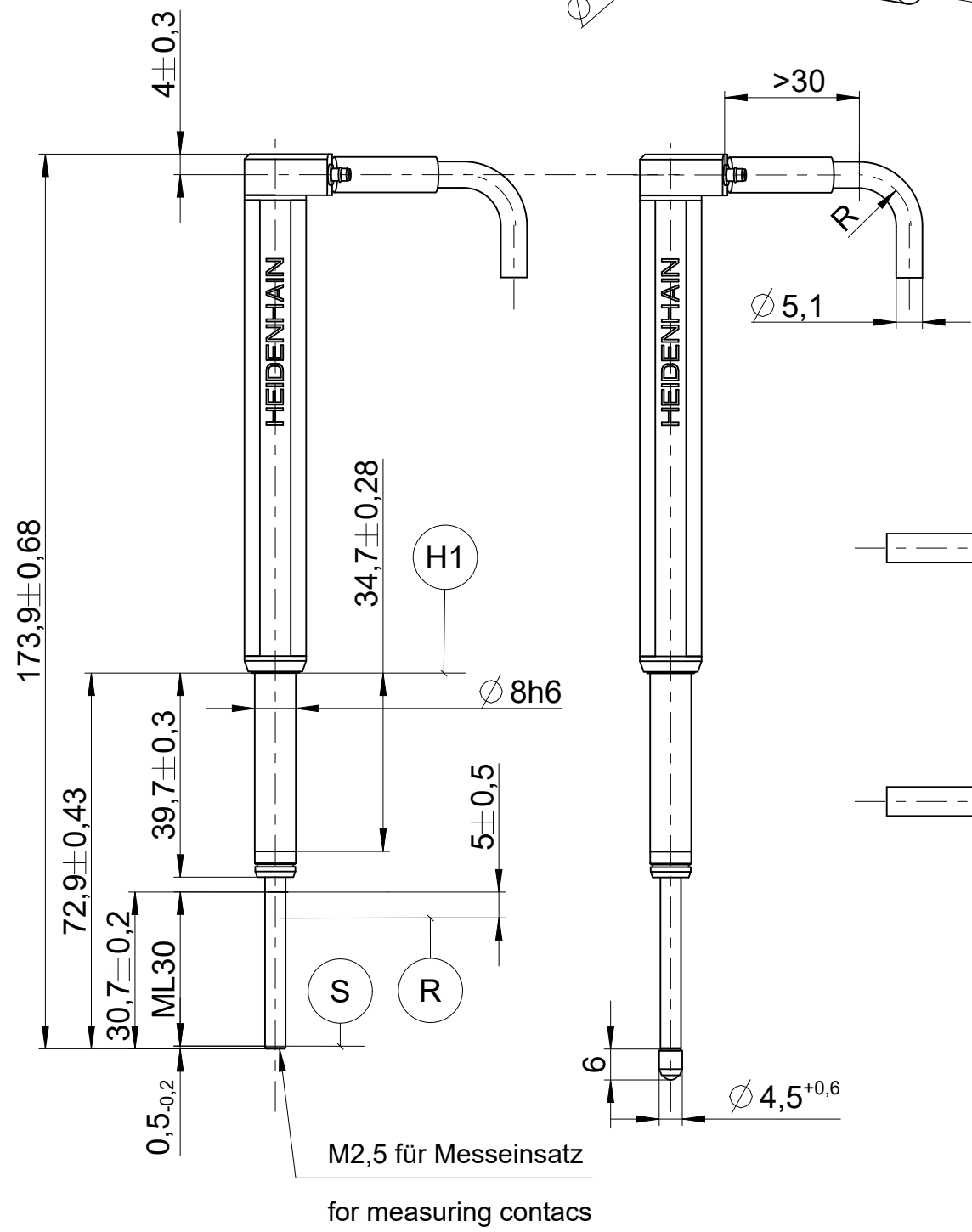
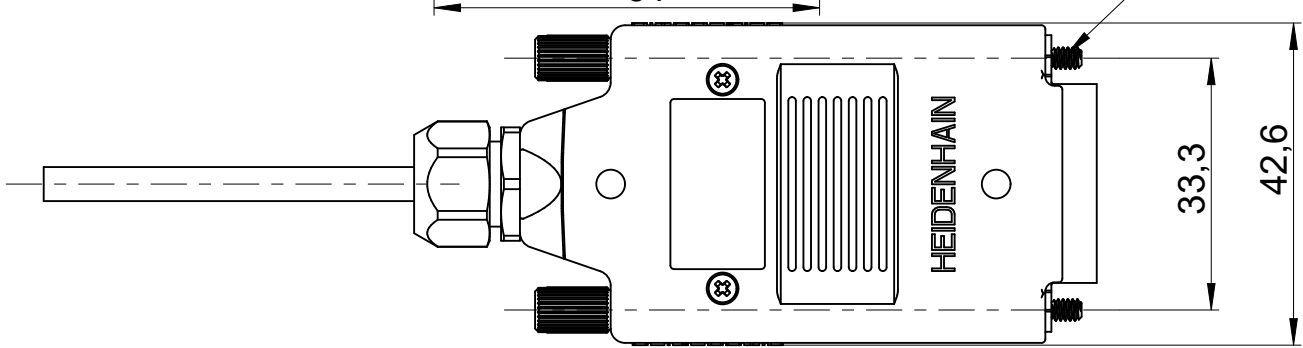


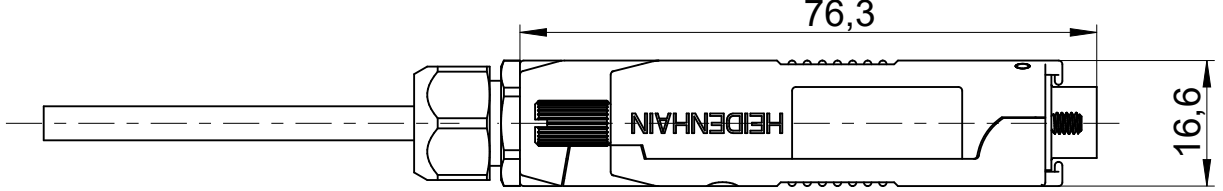
ST 3083/3087
ST 3003/3007



UNC 4/40



ST 3073/3077



ST 3087 (Sub-D)	511400-
ST 3087	511399-
ST 3077	511398-
ST 3007	388307-

Modellname: 388307-03-B04 Version: ***

- H1** = Klemmbereich tightening zone
- H2** = Luftanschluss für 2 mm Schlauch air supply for 2 mm tube
- R** = Referenzmarken-Lage Reference mark position
- S** = Beginn der Messlänge ML Beginning of measuring length ML

Original drawing		ST 30x3/7 radial Redesign		ID number: 388307-03
Scale		ST 30x7 radial ausgefahren gekrümmt		Change No.
Format		Anschlussmaße / Mating Dimensions		Phase: Serie
Dimensions in mm	4:5	A3		Tolerierung nach DIN ISO 8015 Tolerances as per DIN ISO 8015
The reproduction, distribution and utilization of this document as well as the communication of its contents to others without express authorization is prohibited. Offenders will be held liable for the payment of damages. All rights reserved in the event of the grant of a patent, utility model or design. (ISO 16016)				Allgemeintol. ISO 2768-mH ≤6mm:±0,2 General tol. ISO 2768-mH ≤6mm:±0,2
HEIDENHAIN DR. JOHANNES HEIDENHAIN GmbH 83301 Traunreut, Germany			Version	Revision
			Sheet	Page
			D 511469-04-B-1	
			Document number	
			1 of 1	