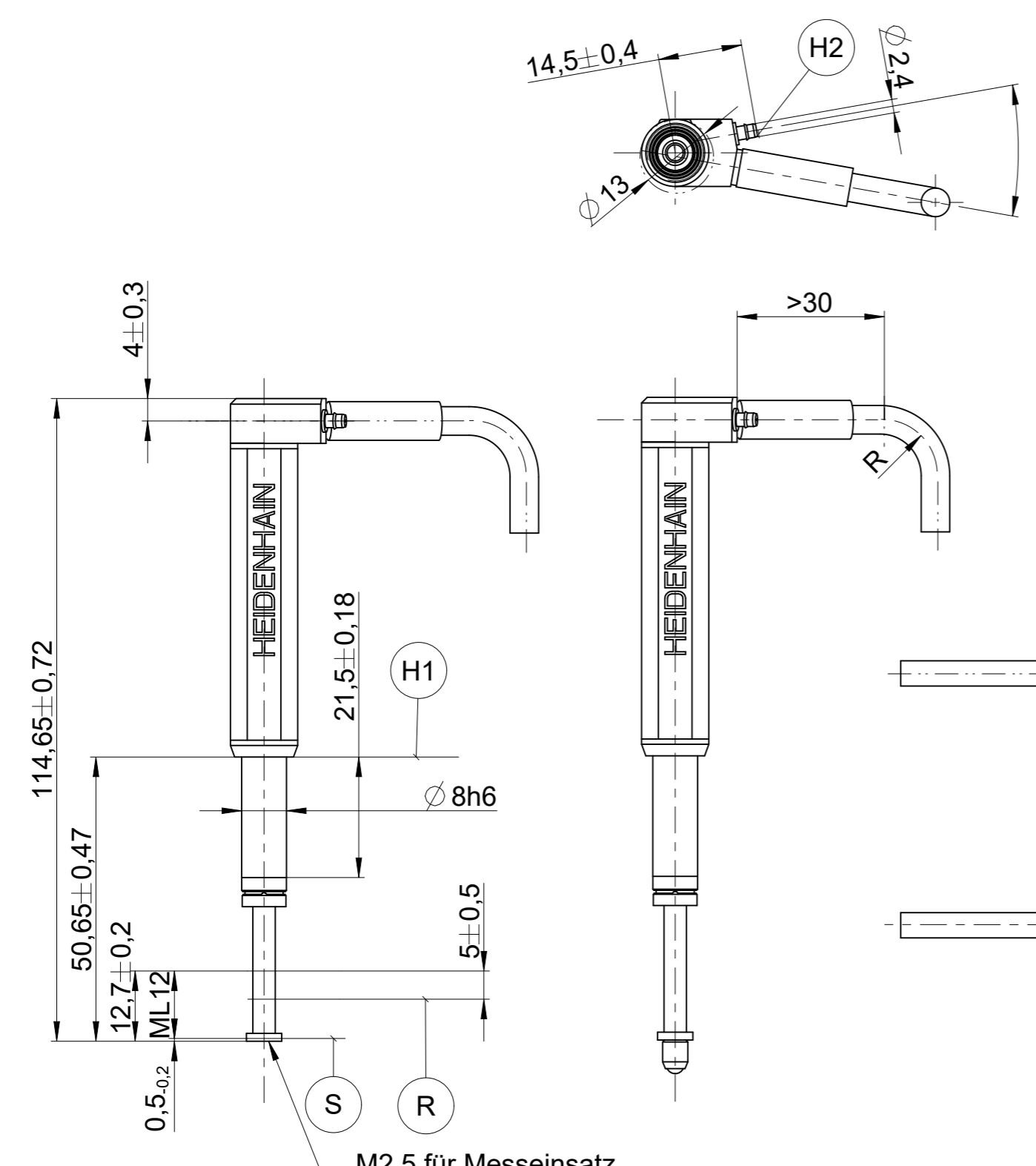
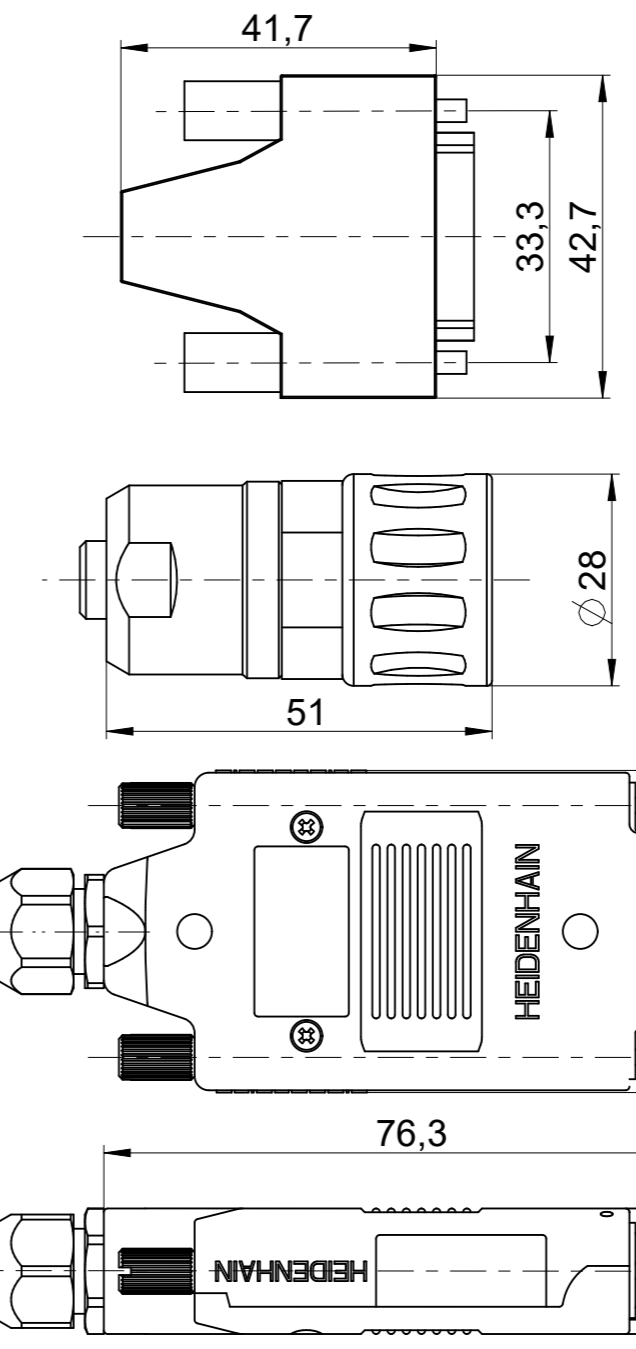


Modellname: 386912-05-B04 Version: \*\*\*  
886 200 A3  
D  
H



ST 1203/1207  
ST 1283/1287



ST 1273/1277

ST 1287 (Sub-D)	511401-
ST 1287	511396-
ST 1277	511395-
ST 1207	386912-

- |                                      |                                  |
|--------------------------------------|----------------------------------|
| H1 = Klemmbereich                    | tightening zone                  |
| H2 = Luftanschluss für 2 mm Schlauch | air supply for 2 mm tube         |
| R = Referenzmarken-Lage              | Reference mark position          |
| S = Beginn der Messlänge ML          | Beginning of measuring length ML |

Original drawing			ID number: 386912-05	
Scale: 1:1			Change No. Serie	
Format: A3			Tolerierung nach DIN ISO 8015 Tolerances as per DIN ISO 8015	
Dimensions in mm	ST 12x3/7 radial Redesign ST 12x7 radial gekrümmt		Allgemeintol. ISO 2768-mH $\leq 6\text{mm}:\pm 0,2$ General tol. ISO 2768-mH $\leq 6\text{mm}:\pm 0,2$	
Anschlussmaße / Mating Dimensions				
The reproduction, distribution and utilization of this document as well as the communication of its contents to others without express authorization is prohibited. Offenders will be held liable for the payment of damages. All rights reserved in the event of the grant of a patent, utility model or design. ( ISO 16016 )				

<b>HEIDENHAIN</b> DR. JOHANNES HEIDENHAIN GmbH 83301 Traunreut, Germany			Version	Revision	Sheet	Page
			<b>D 511462-05-B-1</b>			
Document number						