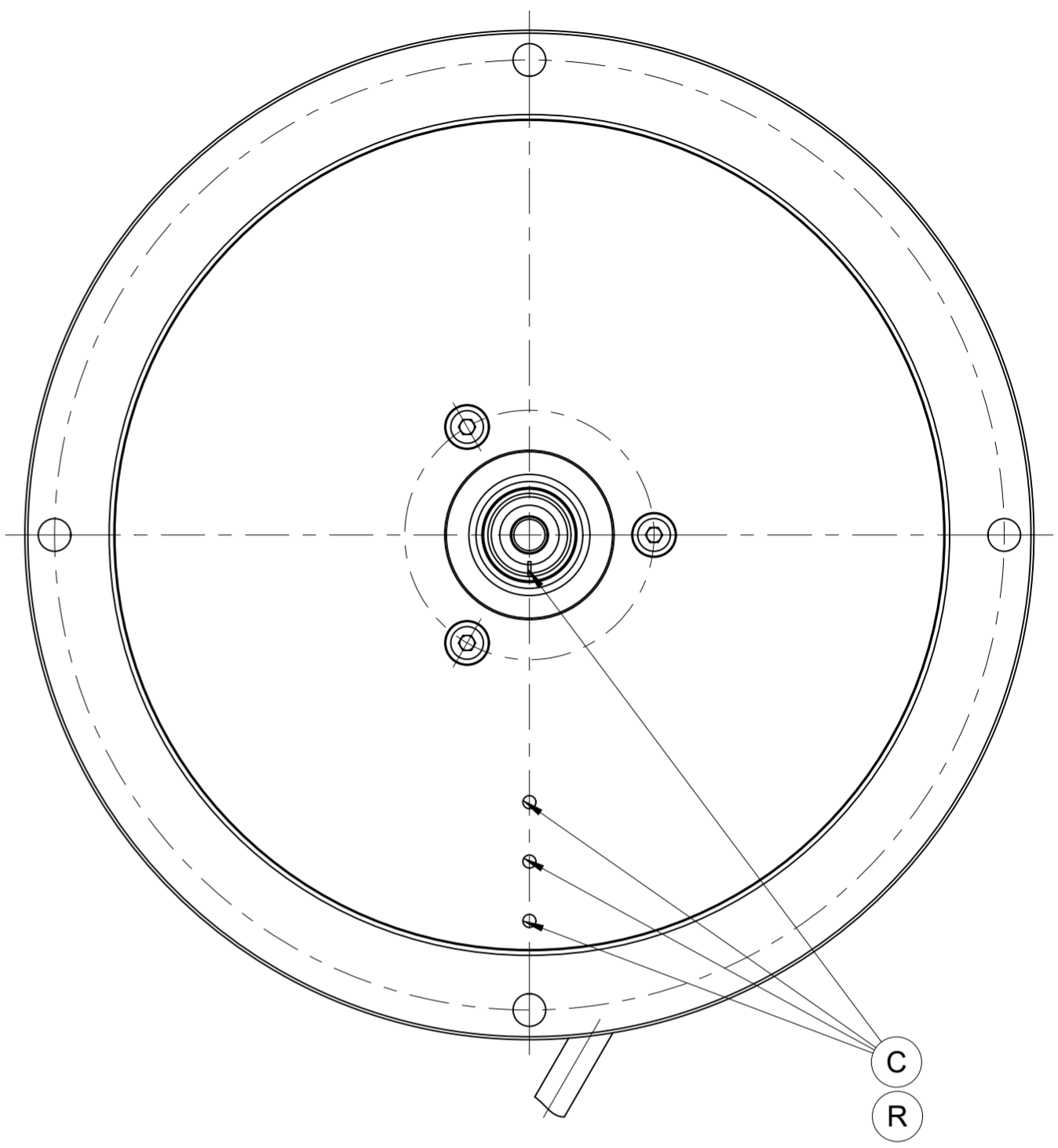
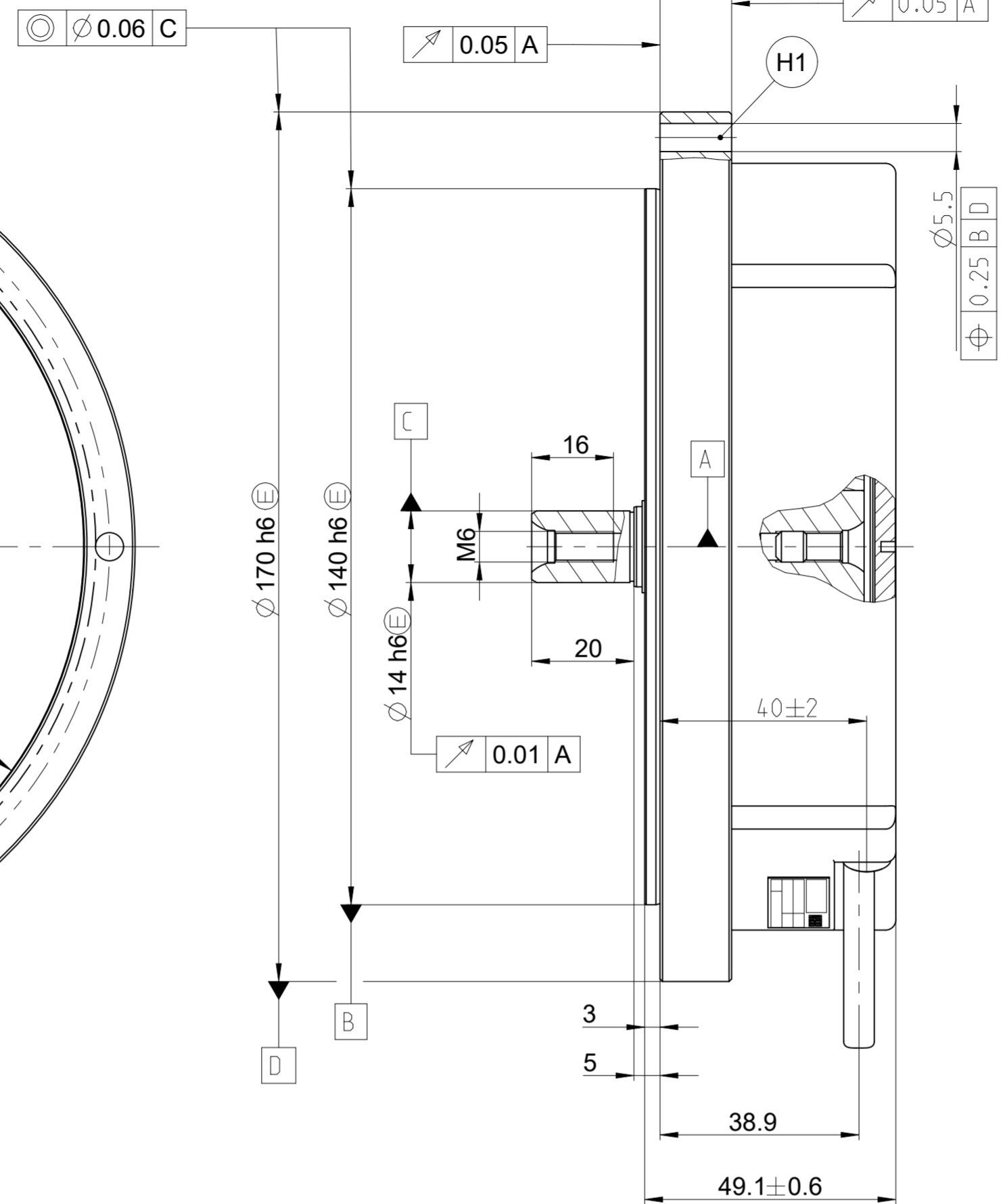
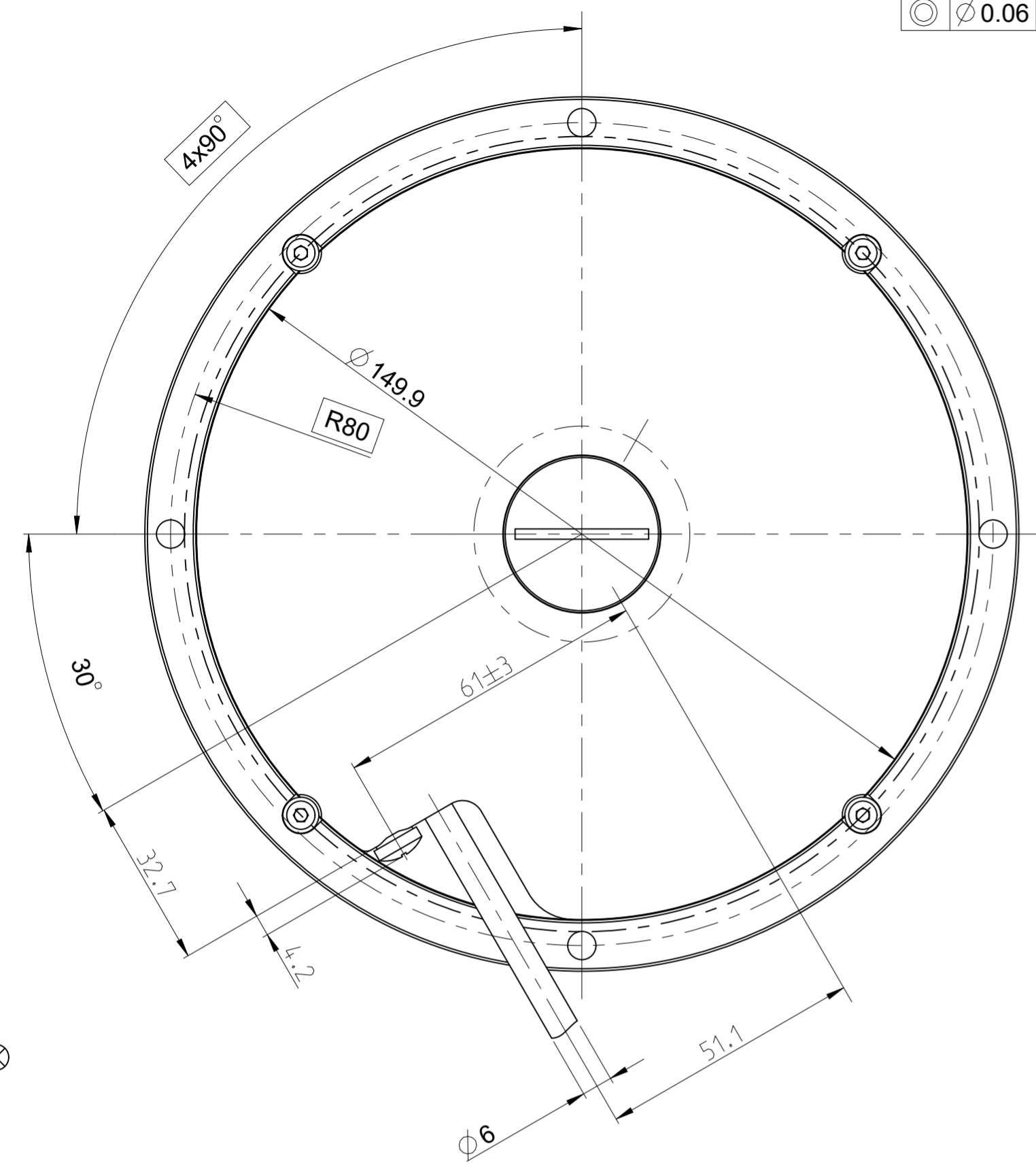
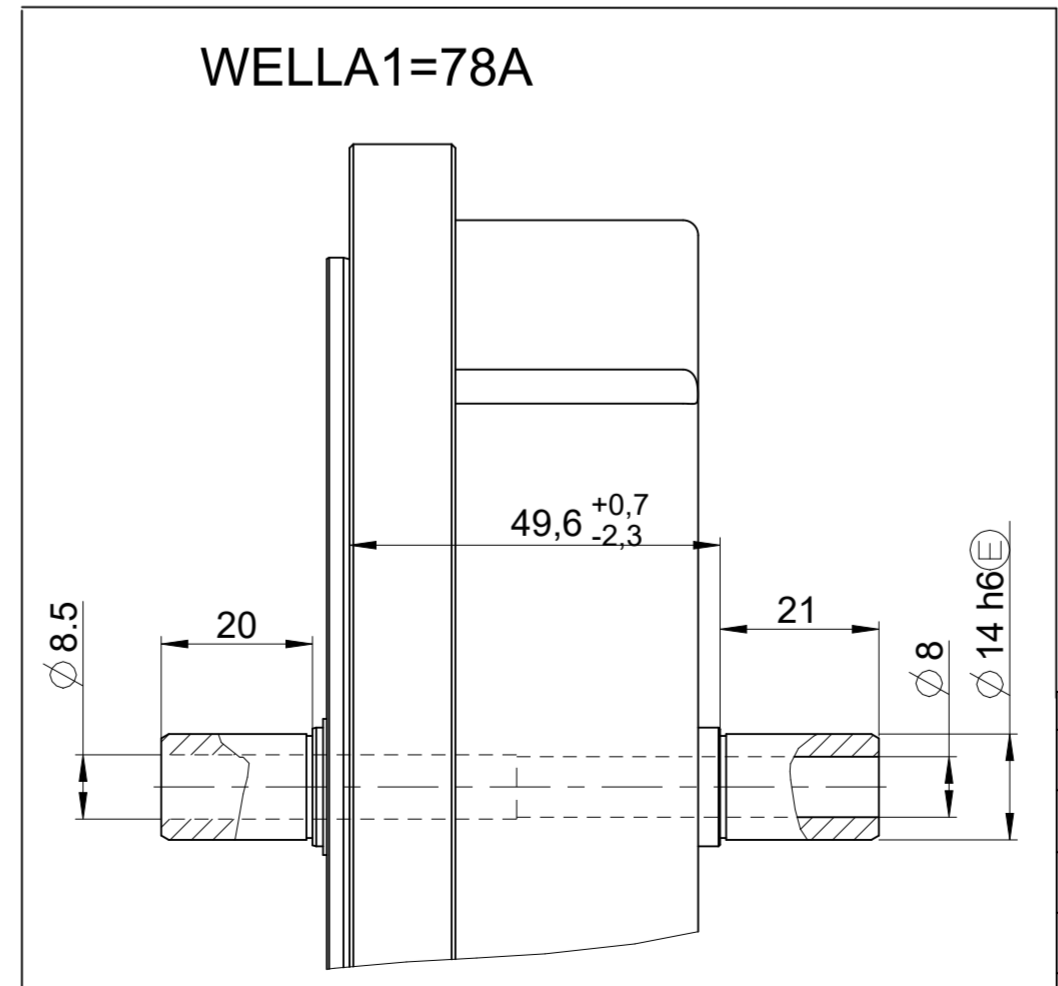


WELLA1=77A



WELLA1=78A



- A** = Lagerung
Bearing
- R** = Referenzmarken-Lage ±5°
ROD 7xx/ROD 8xx
Reference mark position ±5°
ROD 7xx/8xx
- C** = Referenzmarken-Lage ±5°
ROD 7xxC/8xxC
Reference mark position ±5°
ROD 7xxC/8xxC
- H1** Anziehdrehmoment der
Zylinderschraube M5: 5±0,2Nm
Schraube ISO 4762-A2-M5
Scheibe ISO 7092-5-200HV-A2
Schraubensicherung erforderlich
Tightening torque of the hexagon socketed
head cap screw M5: 5±0,2N
Screw ISO 4762-A2-M5
Washer ISO 7092-5-200HV-A2
Screw locking necessary

Original drawing		Scale		Format		ROD 7xx/8xx		ID number:	
1:1		A2				ROD 7xx/8xx		C195683-15	
Dimensions in mm						Anschlussmaße / Mating Dimensions		Change No.	
								Phase:	
								Serie	
								Tolerances as per ISO 8015	
								General Tolerances ISO 2768:1989-mH ±6mm:±0,2	
								The reproduction, distribution and utilization of this document as well as the communication of its contents to others without express authorization is prohibited. Offenders will be held liable for the payment of damages. All rights reserved in the event of a patent, utility model or design. (ISO 16016)	
HEIDENHAIN		Released		Version		Revision		Sheet	
DR. JOHANNES HEIDENHAIN GmbH		26.02.2026		D 384389-06 - B-01		1		Page	
83301 Traunreut, Germany				Document number				1 of 1	