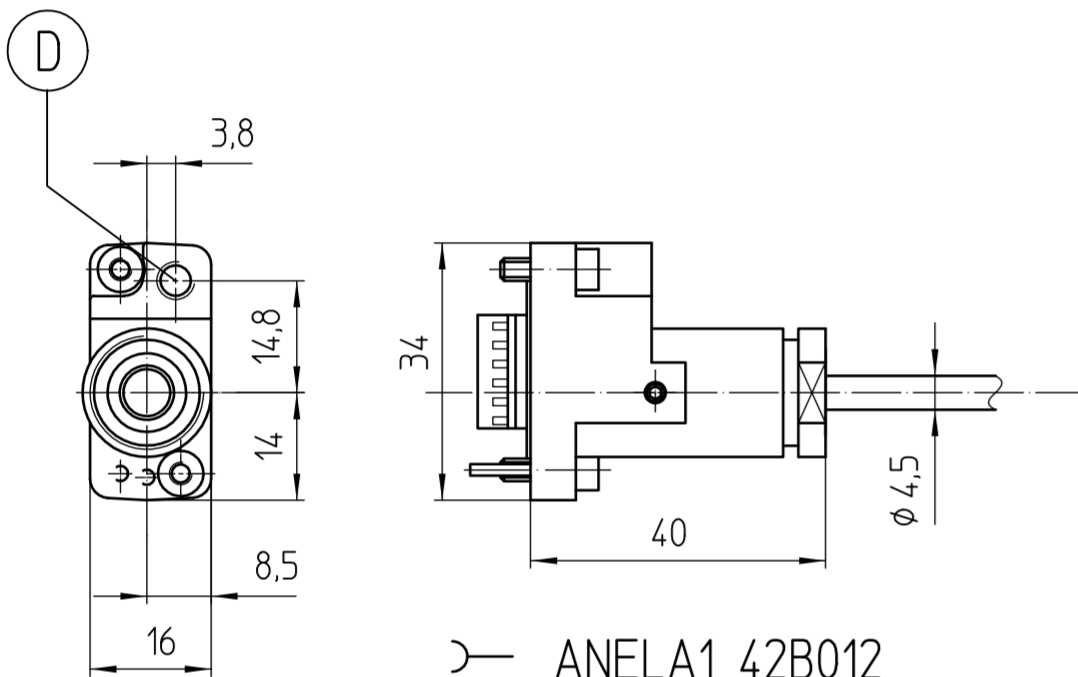
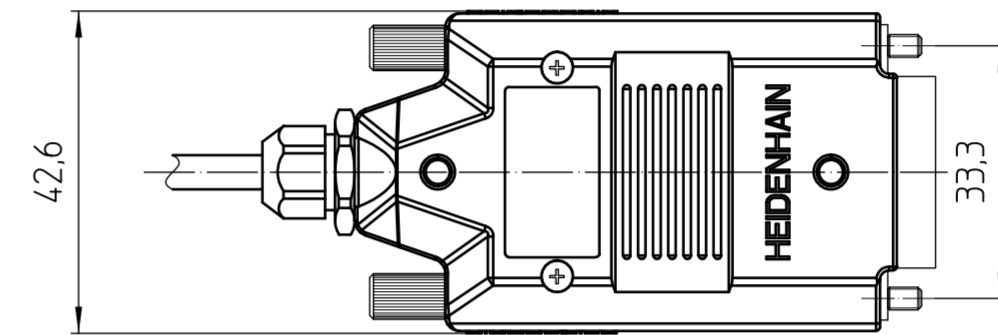
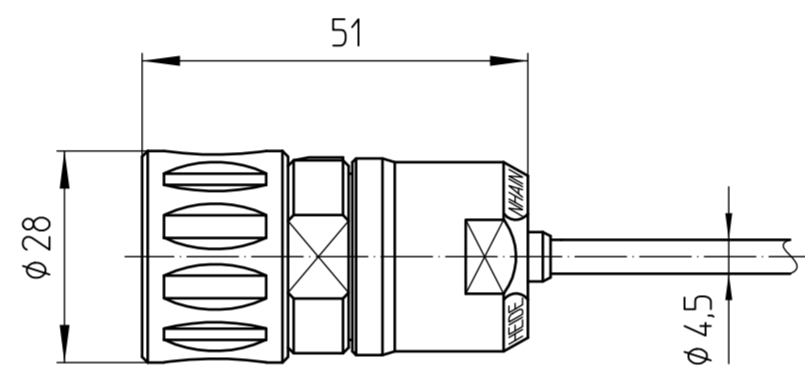


ANELA1 51B015

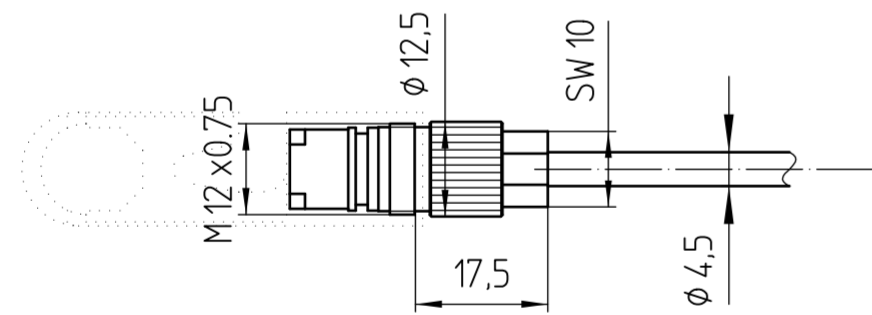


ANELA1 42B012

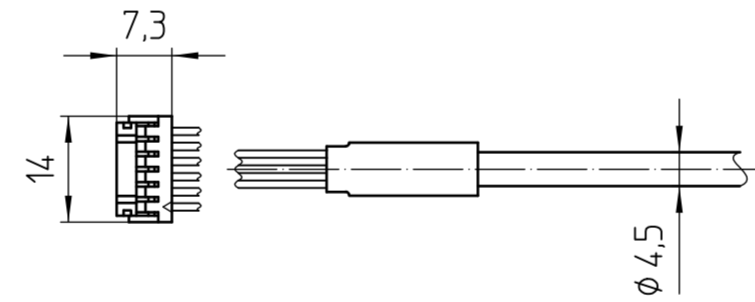


ANELA1 02B012

$\phi 4,5$ DIA .18"	3 *	10 *	$\geq 50$	$\geq 2"$	$\geq 10$	$\geq 4"$
	m	ft	mm	inch	mm	inch
	Standard		Dauerbiegung Frequent flexing		Einmalige Biegung Rigid configuration	
	Kabellänge L Cable length L		Biegeradius R min. Bending radius R min.			



ANELA1 0TB014



ANELA1 0GB12

\* = größere Kabellängen entsprechend Geräte-Spezifikation

larger cable lengths are available as per specifications

L = Kabellänge

Cable length

(D) = Druckluftanschluss

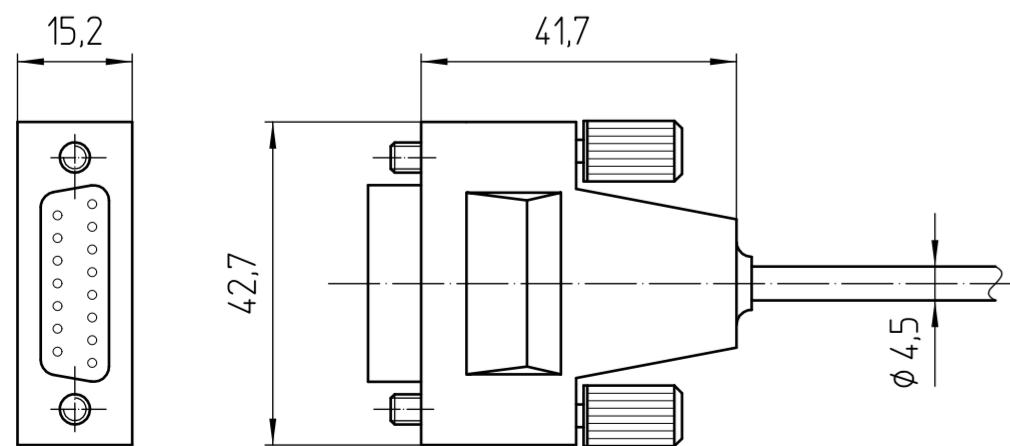
Compressed air inlet

—| = Stift

Male

—C = Buchse

Female



ANELA1 16B015

			IDnumber:	
			Change No. C39385-05	
			Phase: Serie	
			Tolerierung nach DIN ISO 8015	
			Tolerances as per DIN ISO 8015	
			Allgemeintoleranzen ISO 2768-mH $\pm 0,2$	
			General tolerances ISO 2768-mH $\pm 0,2$	
The reproduction, distribution and utilization of this document as well as the communication of its contents to others without express authorization is prohibited. Offenders will be held liable for the payment of damages. All rights reserved in the event of the grant of a patent, utility model or design. ( ISO 16016 )				
 DR. JOHANNES HEIDENHAIN GmbH 83301 Traunreut, Germany			Document number <b>D 383021 - 03-A - 01</b> 1 of 1 Version   Revision   Sheet	