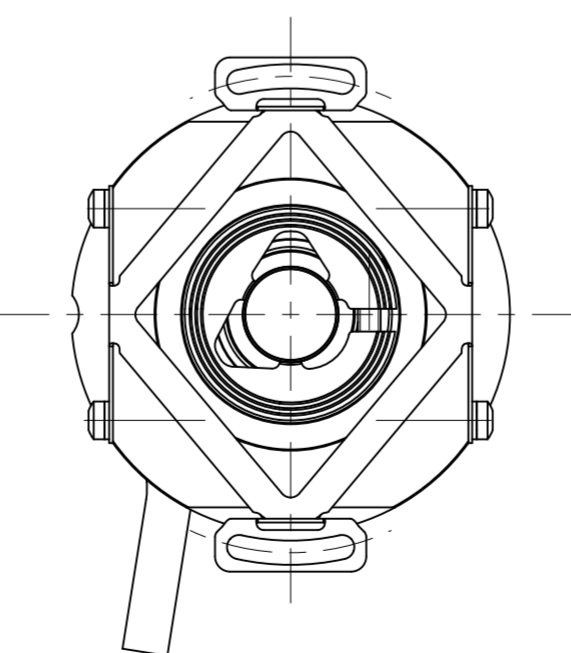
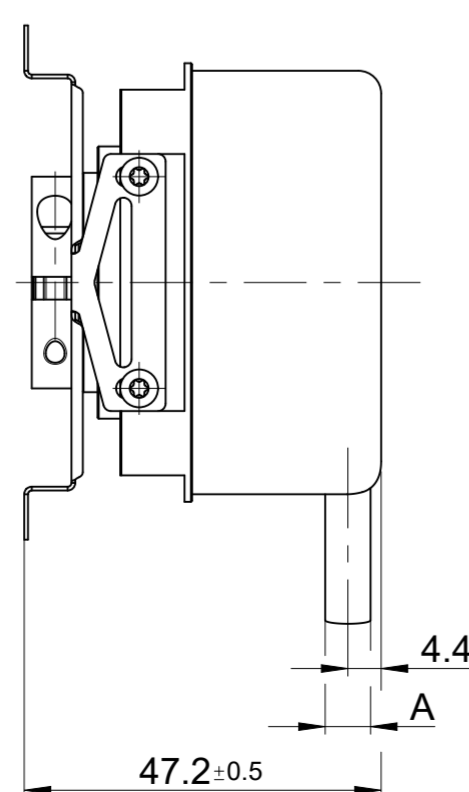
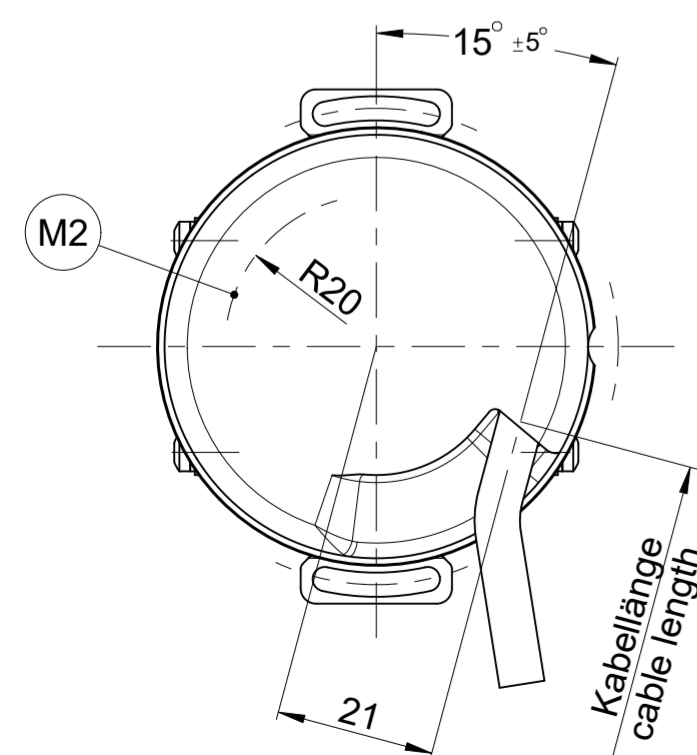


- A** = Lagerung Kundenwelle      Bearing of mating shaft
- K** = Kundenseitige Anschlussmaße      Required mating dimensions
- M1** = Messpunkt Arbeitstemperatur      Measuring point for operating temperature
- M2** = Messpunkt Vibration      Measuring point for vibration
- H1** = Klemmschraube mit Innensechsrund X8  
Anzugsmoment: 1,1 ±0,1 Nm      Locking screw with hexalobular recesses X8  
Tightening torque: 1.1 ±0.1 Nm
- H2** = Ausgleich von Montagetoleranzen und thermischer Ausdehnung,  
keine dynamische Bewegung      Compensation of mounting tolerances and thermal expansion,  
no dynamic motion
- H3** = ERN: Drehrichtung der Welle für Ausgangssignale gemäß Schnittstellenbeschreibung  
ECN/EQN: Drehrichtung der Welle für steigende Positionswerte      ERN: Direction of shaft rotation for output signals as per the interface description  
ECN/EQN: Direction of shaft rotation for ascending position values
- H4** = Befestigung Statorkupplung z. B. 4x ISO 4762 - 8.8 - MKL M3x10  
Anzugsmoment: 1 ±0,06Nm      Fastening stator coupling e. g. 4x ISO 4762 - 8.8 - MKL M3x10  
Tightening torque: 1 ±0.06Nm



KABEA2	A
01	φ 4,5
02	φ 6

68E	φ 15H7	φ 15g7	14
68B	φ 14H7	φ 14g7	14
68A	φ 12H7	φ 12g7	14
68C	φ 10H7	φ 10g7	14
68D	φ 9,52H7	φ 9,52g7	14
68F	φ 8H7	φ 8g7	14
WELLA1	D	d	KUPPA1

Original drawing		Scale		Format		ERNECNEQN 4xx		ERNECNEQN 4xx		Tolerances as per ISO 8015	
1:1		A2		Anschlussmaße / Mating Dimensions		General Tolerances ISO 2768:1989-mH		±0,2		±0,2	
The reproduction, distribution and utilization of this document as well as the communication of its contents to others without express authorization is prohibited. Offenders will be held liable for the payment of damages. All rights reserved in the event of the grant of a patent, utility model or design. (ISO 16016)											
<b>HEIDENHAIN</b>				Released				Version		Revision	
DR. JOHANNES HEIDENHAIN GmbH 83301 Traunreut, Germany				06.10.2025				D 372796-13-B-01		1 of 1	