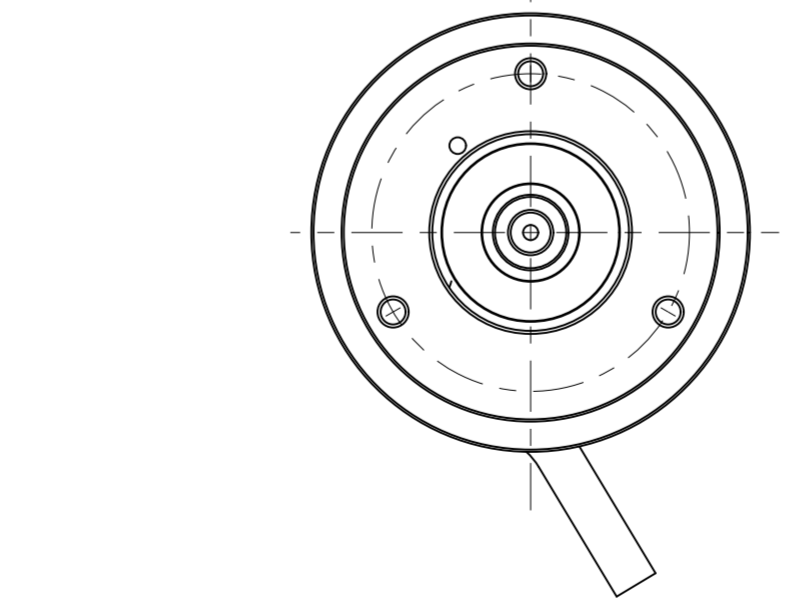
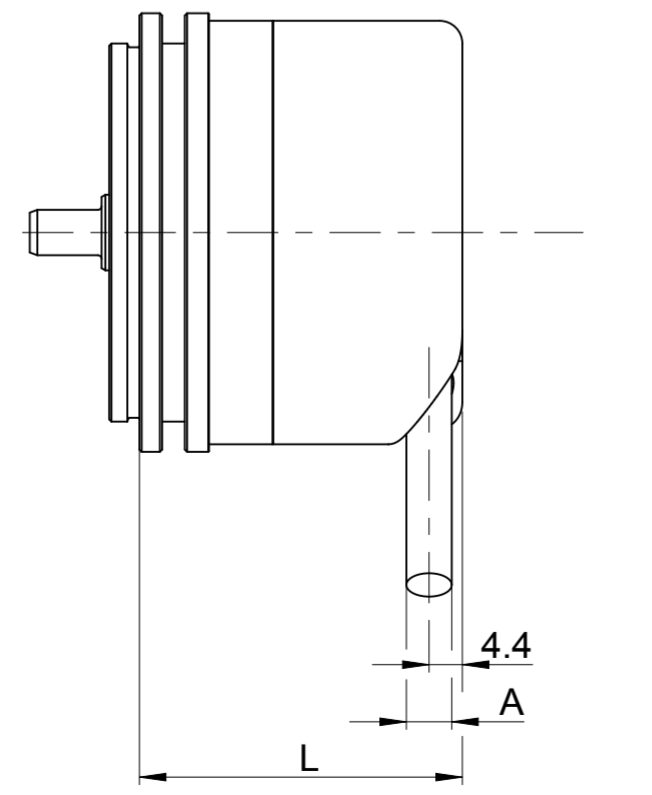
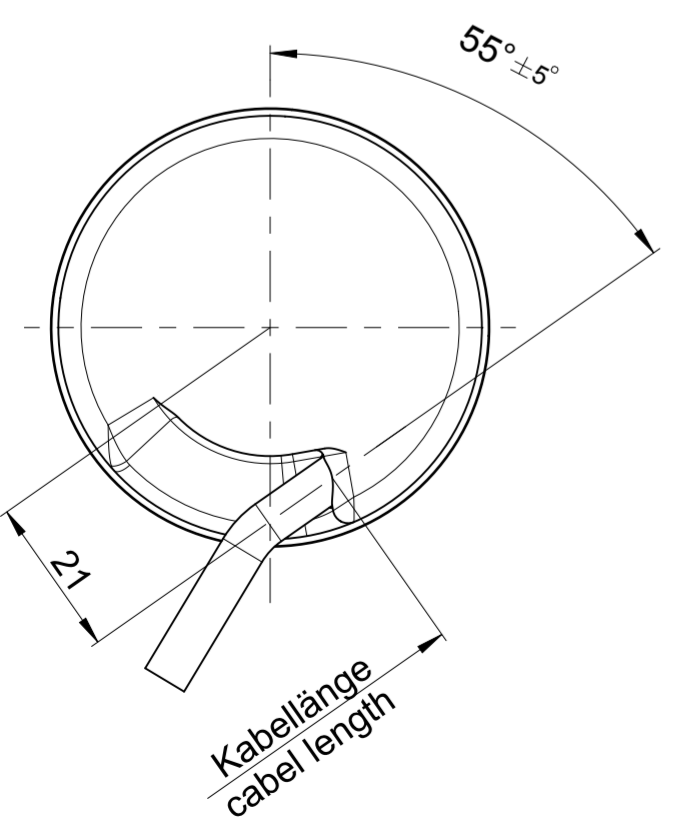
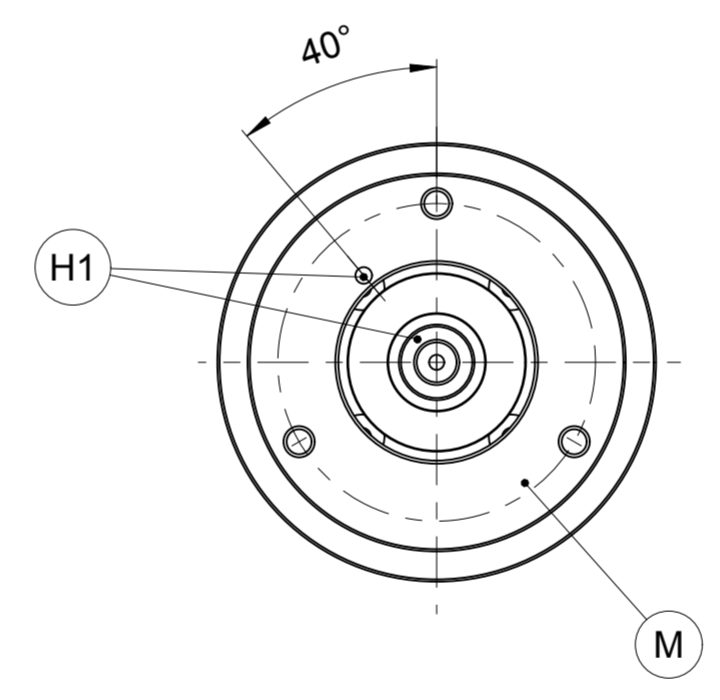
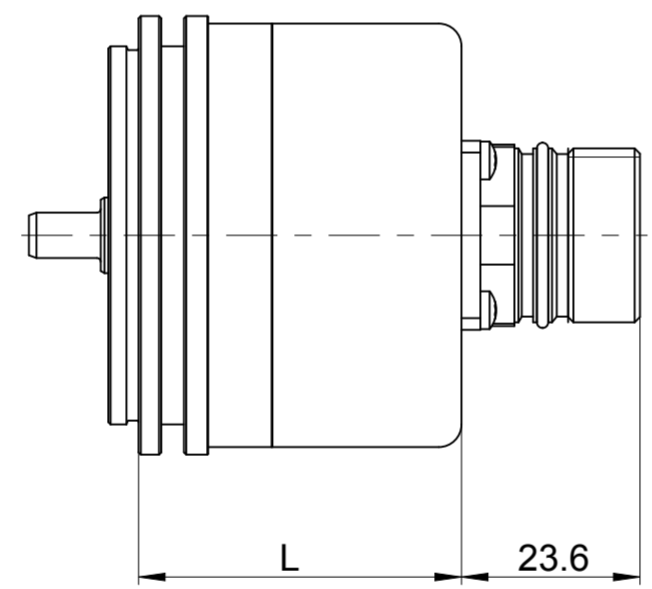
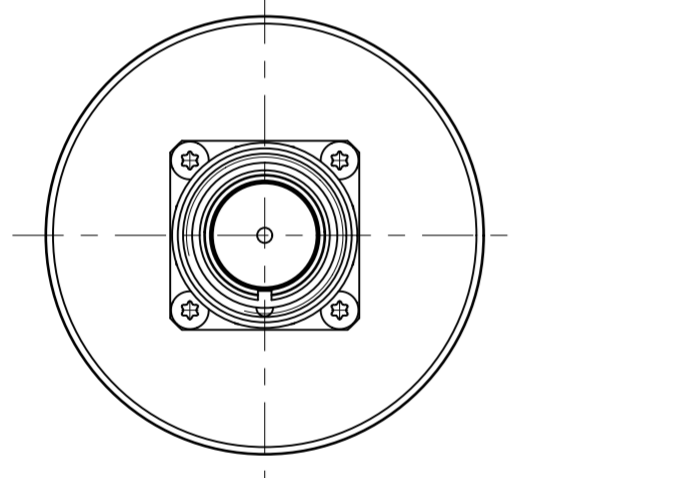
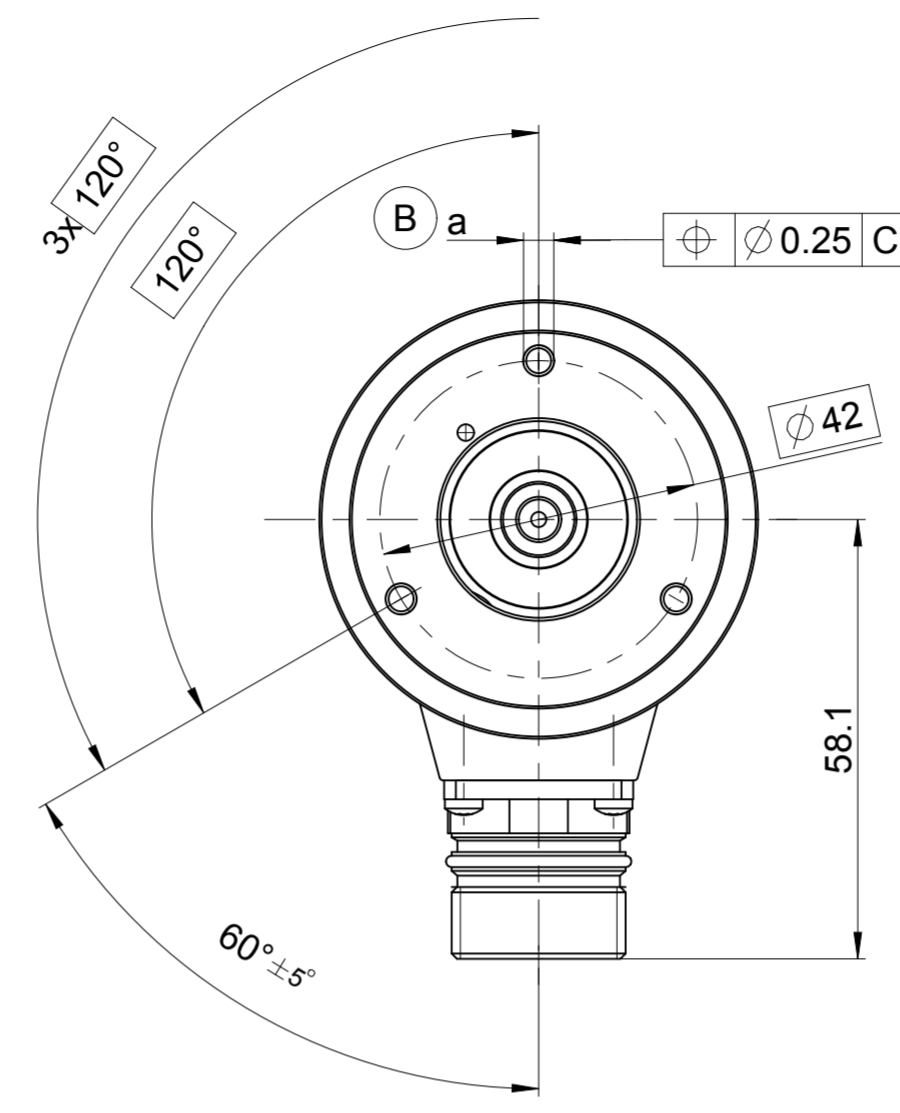
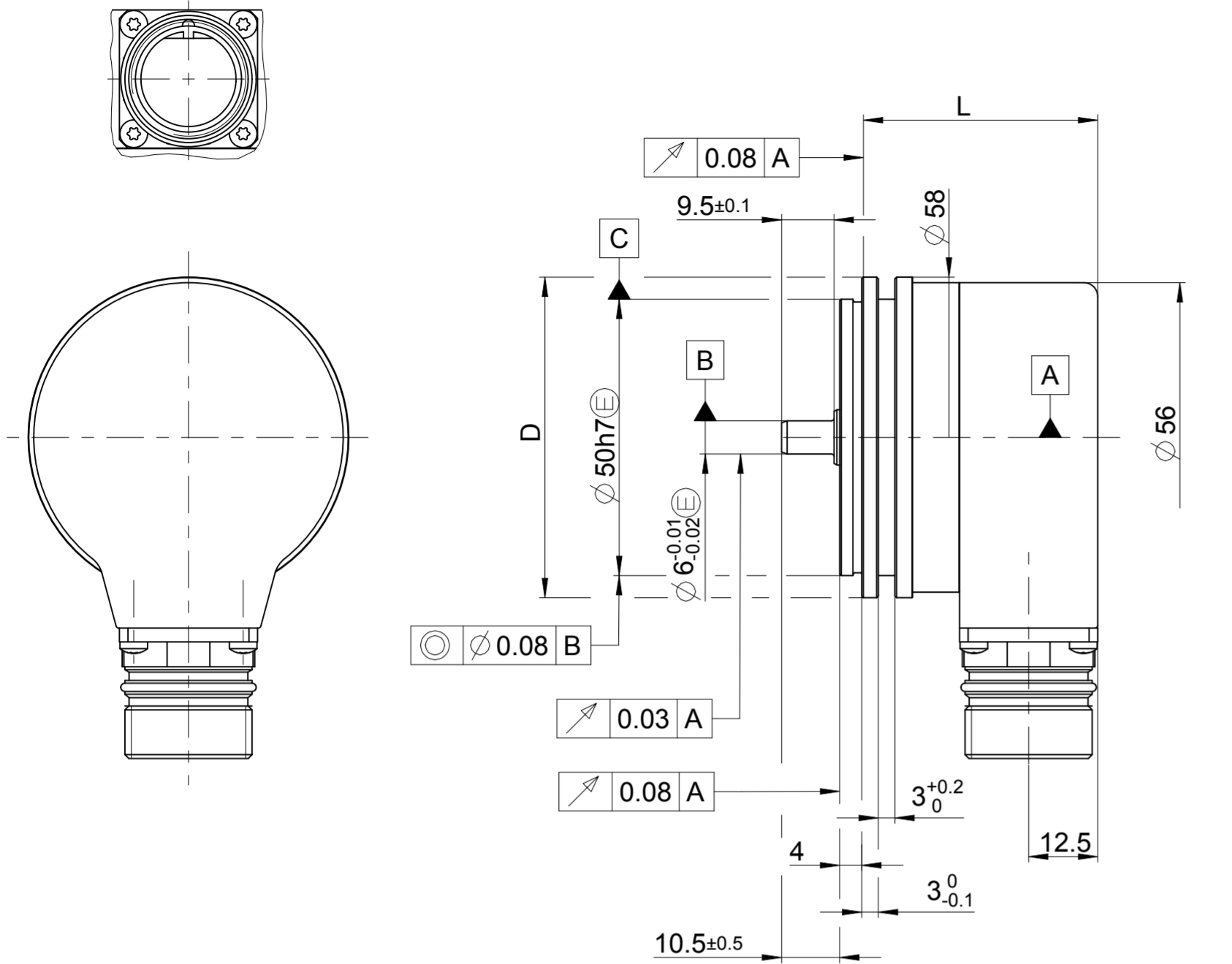


FLANA1:01C/01B

FLANA1:01S



	ROD		L
Generation 3.2	ROC / ROQ		42,7±0,5
Generation 3.1	ROC / ROQ	512 Striche / Lines	42,7±0,5
Generation 3.1	ROC / ROQ	2048 Striche / Lines	43,2±0,5

- A** = Lagerung Geber Bearings for encoder
- B** = Befestigungsgewinde Threaded mounting hole
- M** = Messpunkt Arbeitstemperatur Operation temperature measuring point
- H1** = ROD Referenzmarkenlage Welle - Flansch ±30° ROD reference mark position shaft - flange ±30°
- H2** = Umstellung der Gewindetiefe von 5mm auf 7 bzw 9mm ist in Umsetzung seit November 2011 Change of thread depth from 5mm to 7 or 9mm is currently being implemented since november 2011

73A	01S	∅ 58	6x M4 - 7+1 tief/depth (M4 - 5 tief/depth)
73A	01C	∅ 58	3x M4 - 9+1 tief/depth (M4 - 5 tief/depth)
73A	01B	∅ 55	3x M5 - 9+1 tief/depth (M5 - 5 tief/depth)
WELLA1	FLANA1	D	a

KABEA2	A
01	∅ 4,5
02	∅ 6
04	∅ 4,5
23	∅ 6

Original drawing Scale: 1:1 Format: A2

Dimensions in mm

ROD/ROC/ROQ 4xx Anschlussmaße

Release number: R8678

Tolerierung nach DIN ISO 8015 Tolerances as per DIN ISO 8015

Allgemeintol. ISO 2768-mH ±6mm:±0,2 General tol. ISO 2768-mH ±6mm:±0,2

The reproduction, distribution and utilization of this document as well as the communication of its contents to others without express authorization is prohibited. Offenders will be held liable for the payment of damages. All rights reserved in the event of the grant of a patent, utility model or design. (ISO 16016)

HEIDENHAIN
DR. JOHANNES HEIDENHAIN GmbH
83301 Traunreut, Germany

Version | Revision | Sheet | Page
D 372425-11-A-01 | | 1 | 1 of 1

Document number