

Anziehdrehmoment der Ringmutter : 25-5Nm

Tightening torque of ring nut : 25-5Nm

**A** = Lagerdrehachse der Kundenwelle (Rotor)

Bearing axis of customer's shaft

**K** = Kundenseitige Anschlussmaße

Required mating dimensions

**H1** = Anziehdrehmoment der Zylinderschrauben M4 für den rückwärtigen Anbau: 2,4±0,2Nm  
Schraube ISO4762-A2-M4  
Scheibe ISO7092-4-200HV-A2

Tightening torque of the hexagon head cap screws M4 for mounting on the face side: 2,4±0,2Nm  
Screw ISO4762-A2-M4  
Washer ISO7092-4-200HV-A2

**H2** = Anziehdrehmoment der Zylinderschrauben M5: 5±0,2Nm  
Schraube ISO4762-A2-M5  
Scheibe ISO7092-5-200HV-A2

Tightening torque of the hexagon socket head cap screw M5: 5±0,2Nm  
Screw ISO4762-A2-M5  
Scheibe ISO7092-5-200HV-A2

**H1 H2** = Schraubensicherung erforderlich

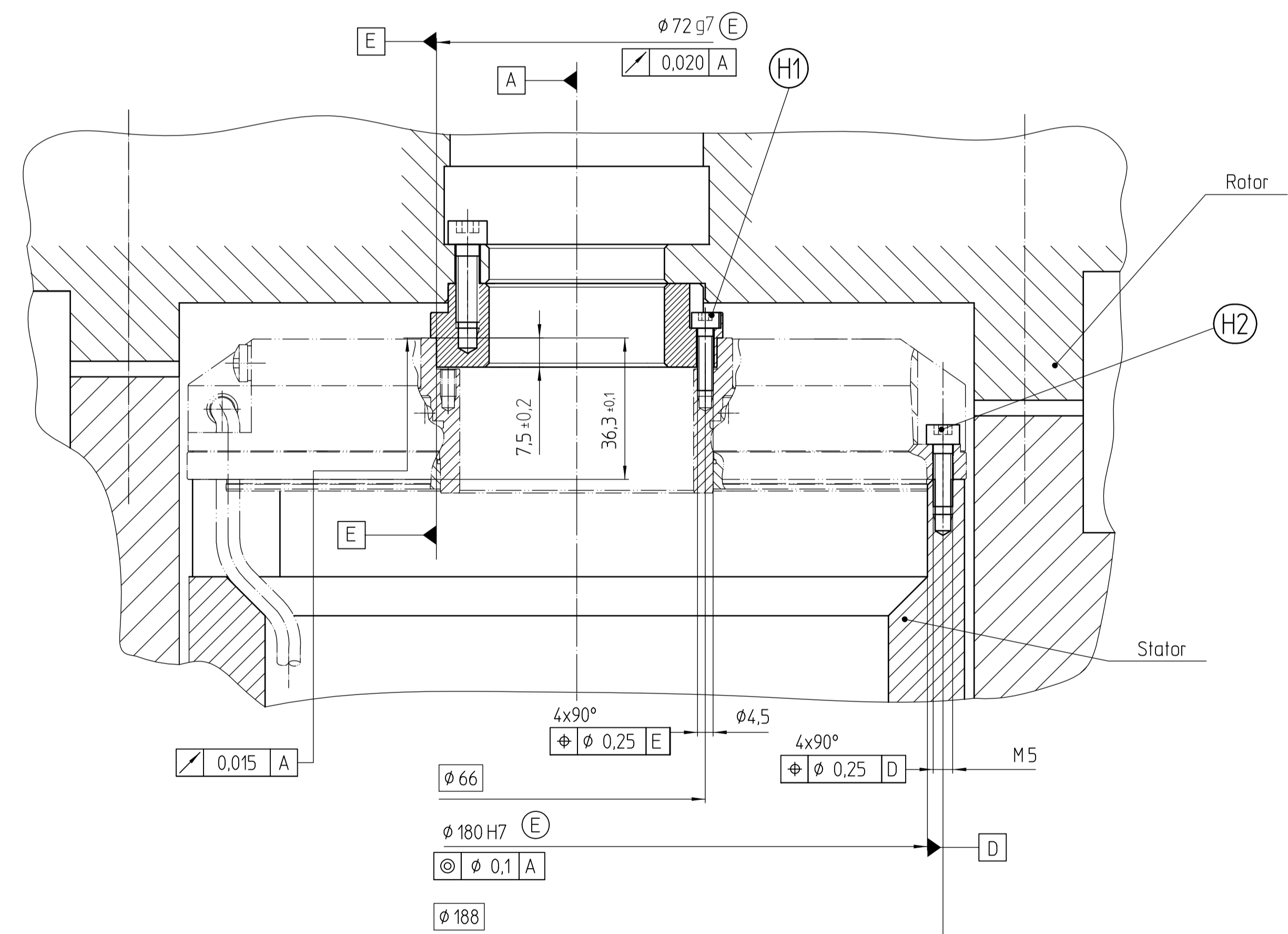
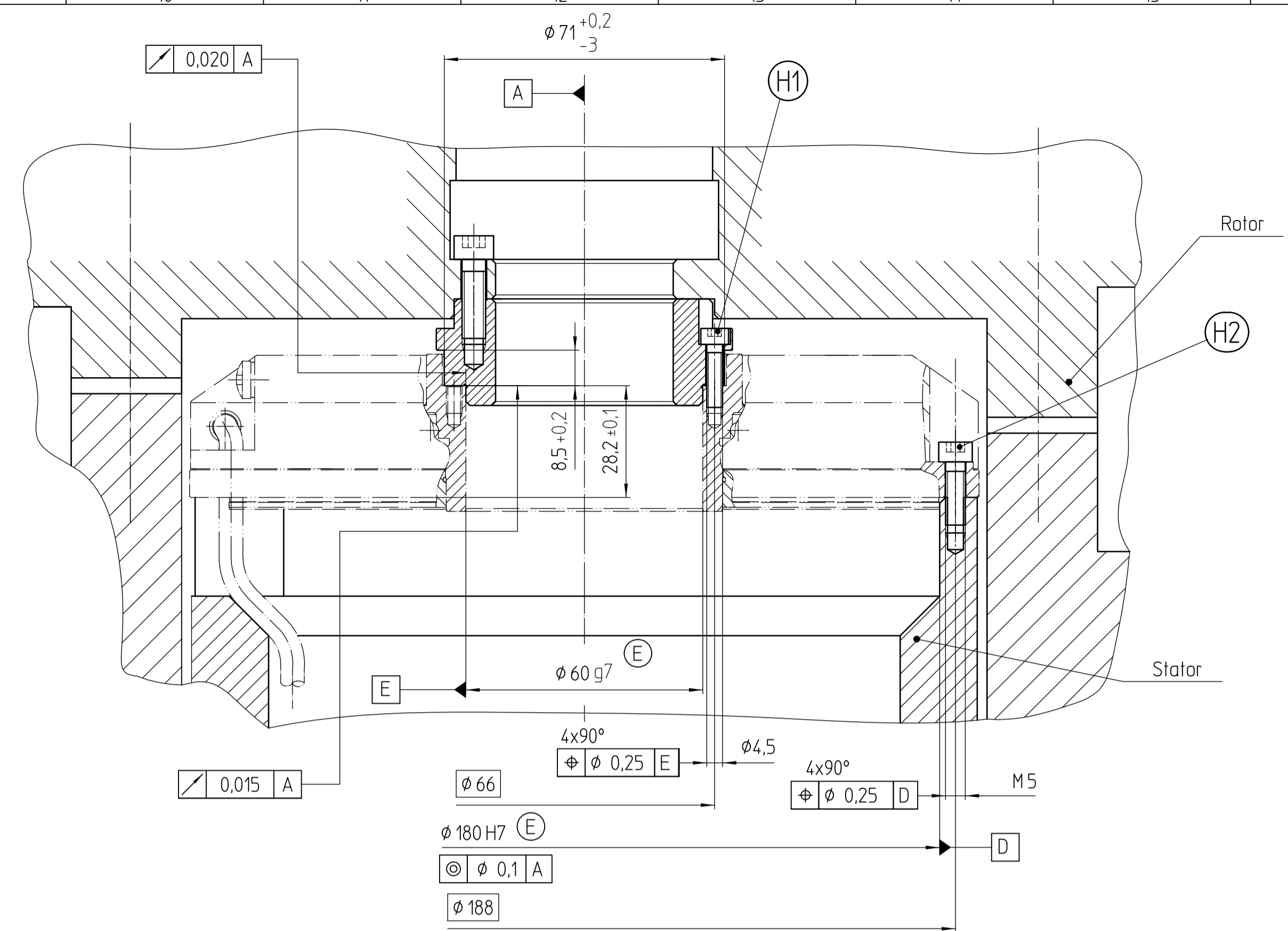
Screw locking necessary

**H3** = Toleranzangabe beinhaltet Montagetoleranzen und thermische Ausdehnung.  
Keine dynamische Bewegung zulässig.

Tolerance specification includes tolerances and thermal expansion.  
No dynamic movement permitted

**I II** = Anbaumöglichkeiten

Mounting options



RON 7xx/8xx, RCN 7xx/8xx Anbaumaße und Toleranzen nach Anschlussmaßzeichnung  
RON 7xx/8xx, RCN 7xx/8xx Mounting dimensions and tolerances as per dimension drawing

Anbauvorschlag für kappenseitige Wellenbefestigung  
Mounting proposal for shaft fastening at housing exit

Original drawing		RON 7x6/8x6; RPN 886		IDnumber:	C192697-05
Scale	1:1	Format	A1	Change No.	
Dimensions in mm	1:1	Anschlussmaße		Phase	Serie
				Tolerances as per	ISO 8015
				General Tolerances	ISO 2768-MS-AS-02
The reproduction, distribution and utilization of this document as well as the communication of its contents to others without express authorization is prohibited. Offenders will be held liable for the payment of damages. All rights reserved in the event of the grant of a patent, utility model or design. (ISO 1016)					
<b>HEIDENHAIN</b>		Released		Version   Revision Sheet	
DR. JOHANNES HEIDENHAIN GmbH		28.11.2025		D 362335 - 14 - A - 02	
83301 Traunreut, Germany				1 of 1	