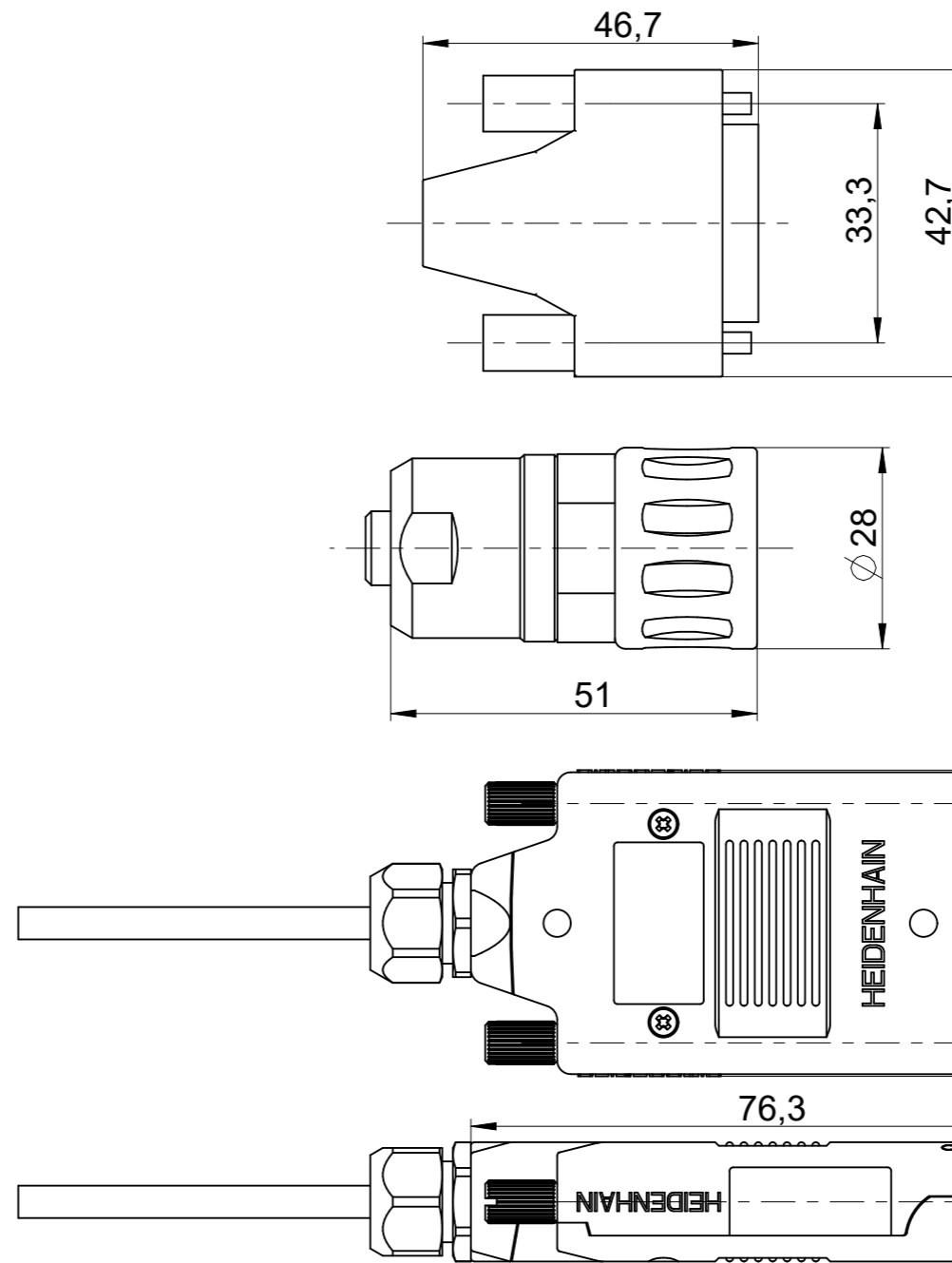
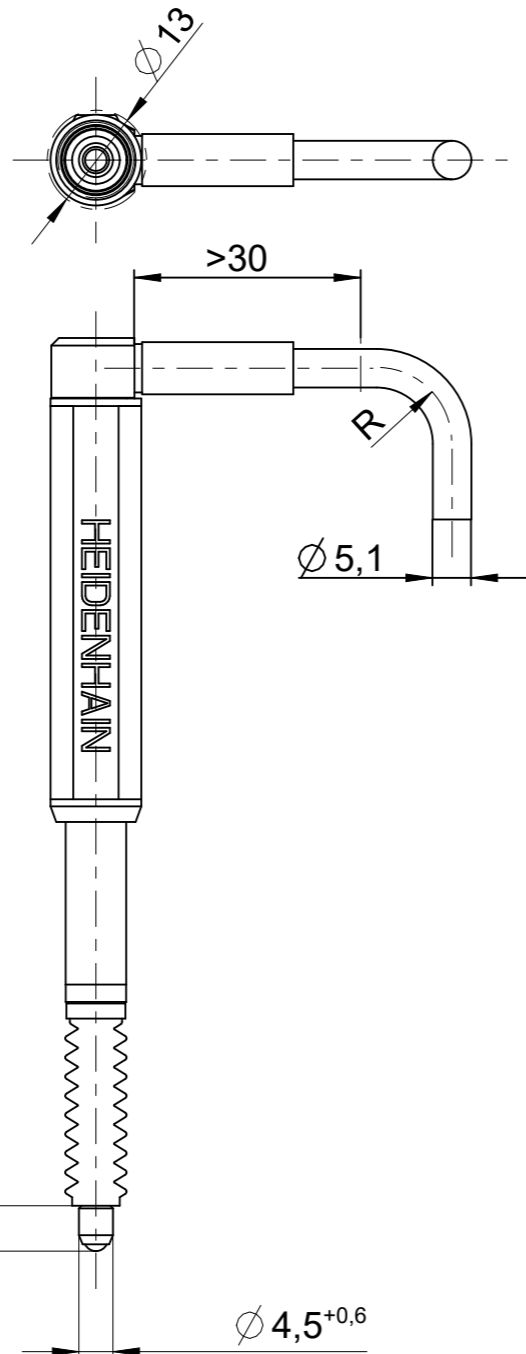


M2,5 für Messeinsatz
for measuring contacts

- (H1)** = Klemmbereich tightening zone
- (R)** = Referenzmarken-Lage Reference mark position
- (S)** = Beginn der Messlänge ML Beginning of measuring Length ML



ST 1288/1289
ST 1208/1209

UNC 4/40

ST 1278/1279

ST 1288 (Sub-D)	383989-
ST 1288	383979-
ST 1278	383963-
ST 1208	383977-

			ID number: 383963-01
			Change No. Serie
			Tolerierung nach DIN ISO 8015 Tolerances as per DIN ISO 8015
			Allgemeintol. ISO 2768-mH ≤6mm: ±0,2 General tol. ISO 2768-mH ≤6mm: ±0,2
	Original drawing	ST 12x8/9 radial Redesign	
	Scale	ST 12x8 radial gekrümmt	
	Format	Anschlussmaße / Mating Dimensions	
Dimensions in mm	1:1	A3	
The reproduction, distribution and utilization of this document as well as the communication of its contents to others without express authorization is prohibited. Offenders will be held liable for the payment of damages. All rights reserved in the event of the grant of a patent, utility model or design. (ISO 16016)			
HEIDENHAIN DR. JOHANNES HEIDENHAIN GmbH 83301 Traunreut, Germany			Version Revision Sheet Page
D 361044-01 - B - 1			1 of 1
Document number			