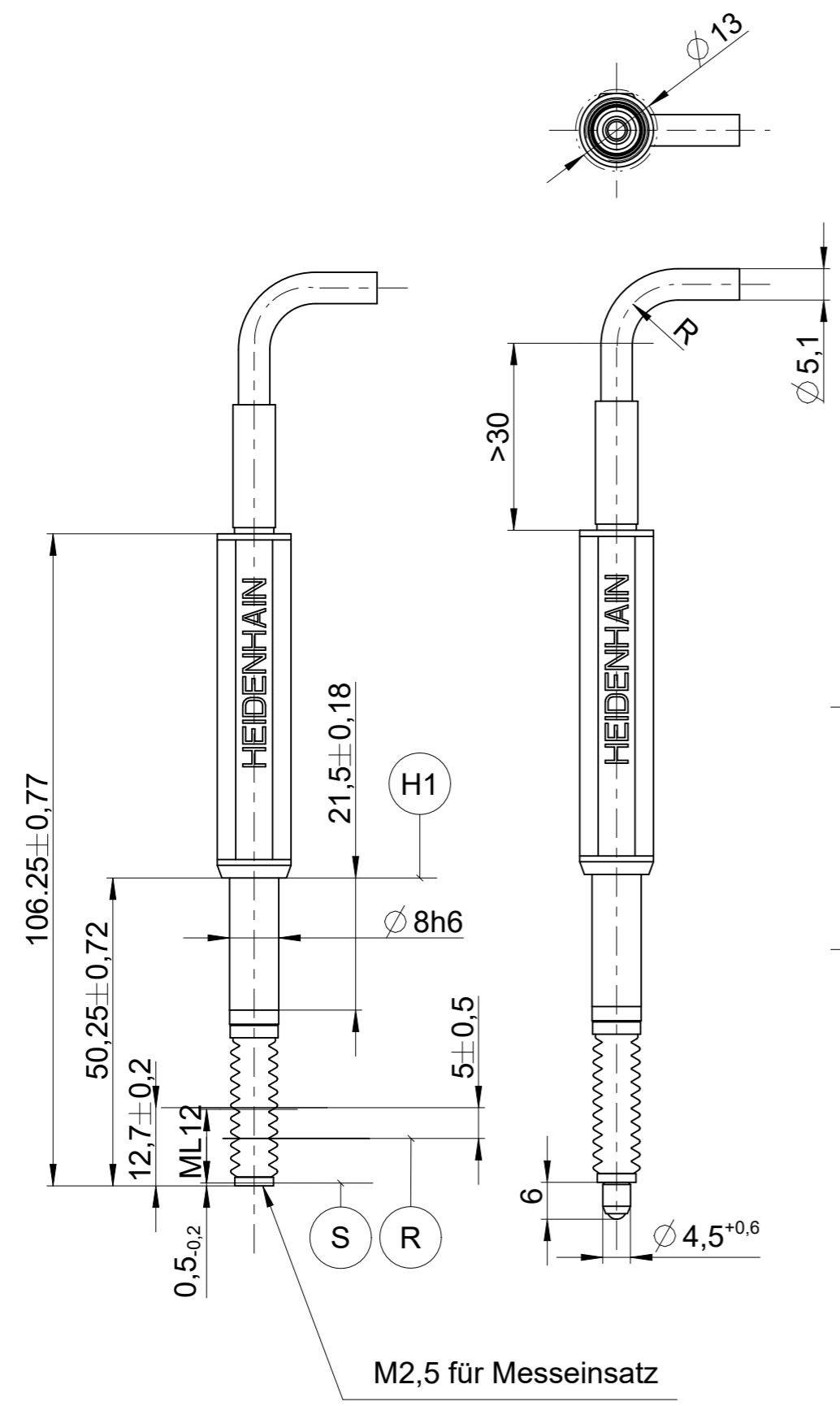
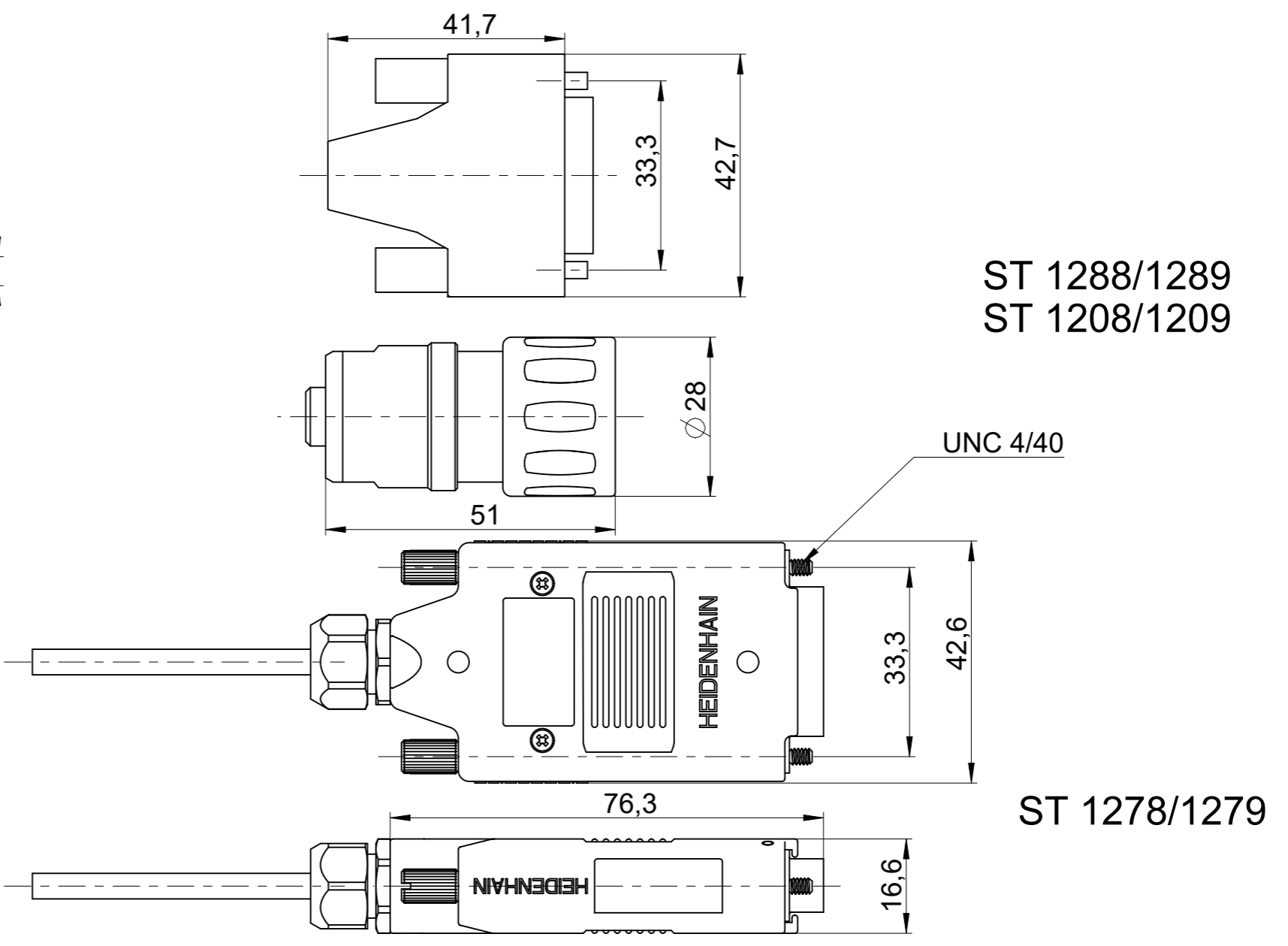


886 200 A3

Modellname: 383965-03-B04 Version: \*\*\*



- (H1)** = Klemmbereich      tightening zone
- (R)** = Referenzmarken-Lage      Reference mark position
- (S)** = Beginn der Messlänge ML      Beginning of measuring length ML



ST 1288/1289  
ST 1208/1209

ST 1278/1279

ST1288 (Sub-D)	383987-
ST1288 (± 0.5µm)	383983-
ST1289	383981-
ST1288	383978-
ST1278	383965-
ST1208	383976-

Original drawing		ST 12x8/9 axial Redesign		ID number: 383965-03
Scale		ST 12x8 axial gekrümmt		Change No. C011167-10
Format		Anschlussmaße / Mating Dimensions		Phase: Serie
Dimensions in mm	1:1	A3		Tolerierung nach DIN ISO 8015 Tolerances as per DIN ISO 8015
The reproduction, distribution and utilization of this document as well as the communication of its contents to others without express authorization is prohibited. Offenders will be held liable for the payment of damages. All rights reserved in the event of the grant of a patent, utility model or design. ( ISO 16016 )				Allgemeintol. ISO 2768-mH ≤6mm:±0,2 General tol. ISO 2768-mH ≤6mm:±0,2
<b>HEIDENHAIN</b> DR. JOHANNES HEIDENHAIN GmbH 83301 Traunreut, Germany			Version	Revision
			Sheet	Page
			<b>D 361043-01 - B - 1</b>	
			Document number	
			1 of 1	