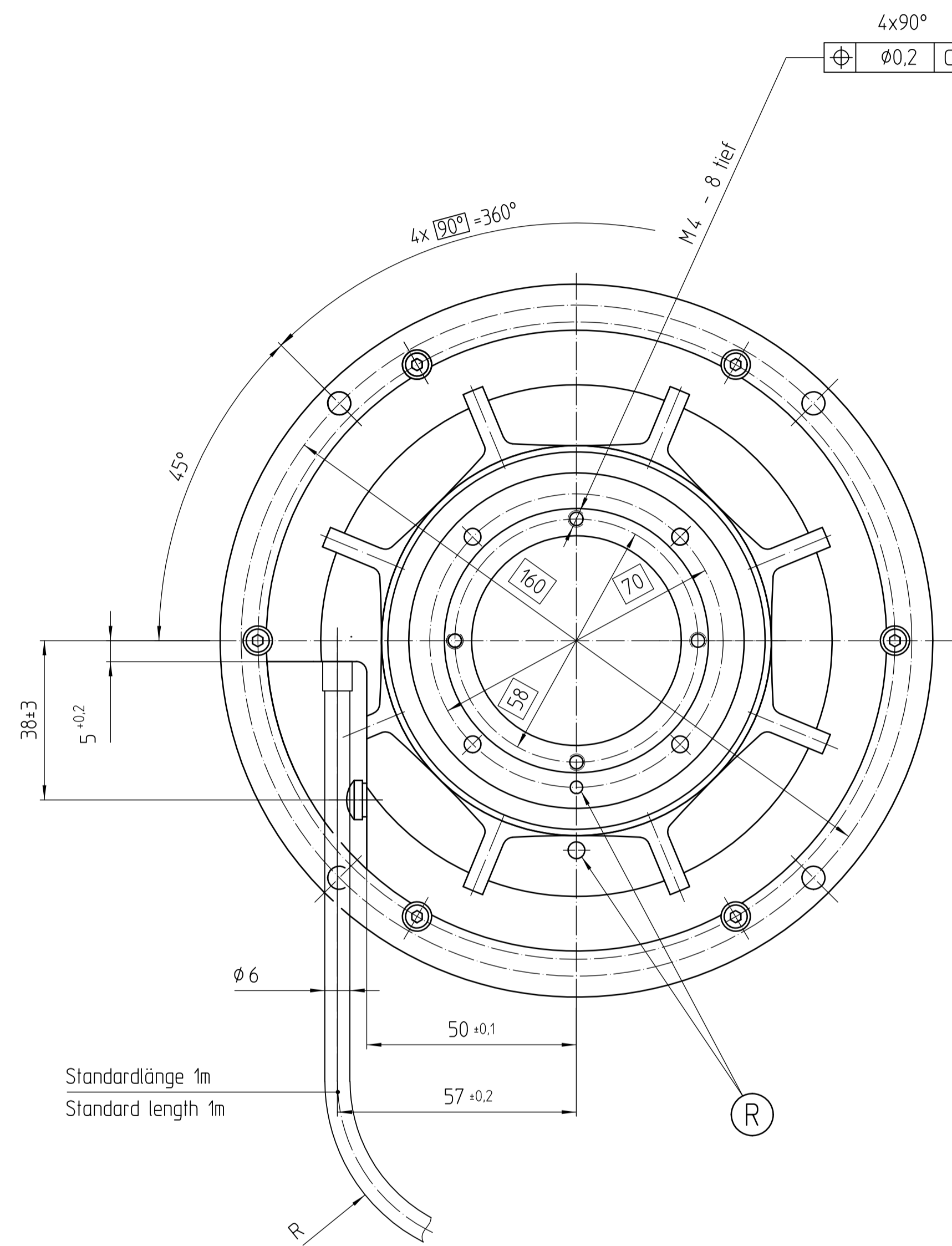


RON - Anschraubfläche
RON - Securing surface

Anziehdrehmoment der Ringmutter: 25-5Nm

Tightening torque of ring nut: 25-5Nm



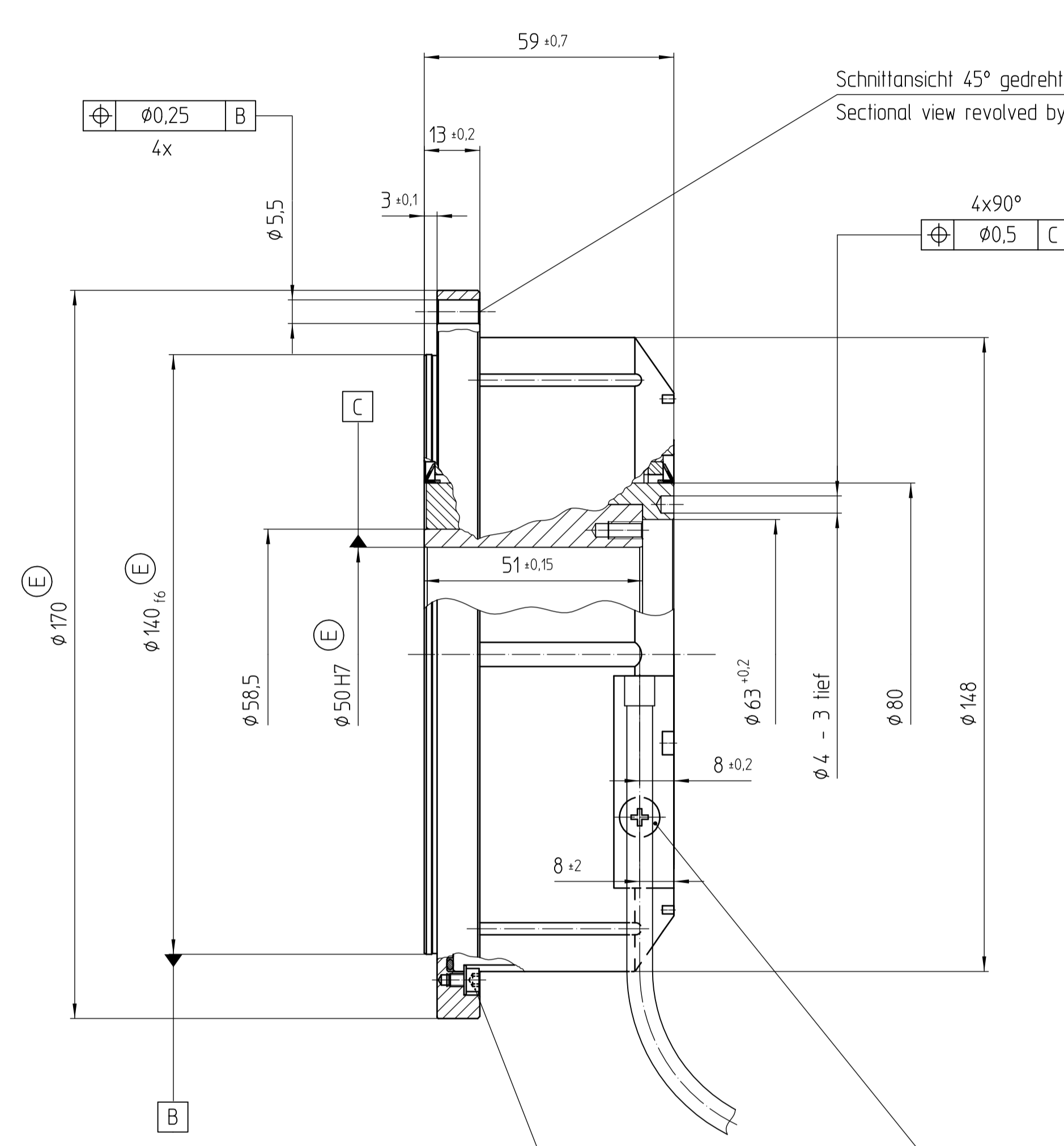
Standardlänge 1m
Standard length 1m

bei einmaliger Biegung: $R \geq 20$
bei Dauerbeanspruchung: $R \geq 75$

For rigid configuration: $R \geq .8$ "
For frequent flexing: $R \geq 3.0$ "

Allgemeintoleranzen: DIN 7168 - m TR
General tolerances: DIN 7168 - m TR

Tolerierung: DIN 2300
Tolerances: DIN 2300



Druckluftanschluss: M5
Compressed air connection: M5

Schnittansicht 30° gedreht
Sectional view revolved by 30°

- A** Lagerung Bearing
- K** = Kundenseitige Anschlussmaße Required mating dimensions
- R** = Position des Referenzsignals Position of reference signal
- H1** = Anziehdrehmoment der Zylinderschraube M5: 5x0,2Nm
Schraube ISO 4762-A2-M5
Scheibe ISO 7092-5-200HV-A2
Schraubensicherung erforderlich
Screw locking necessary
- H3** = Toleranzangabe beinhaltet Montagetoleranzen und thermische Ausdehnung.
Keine dynamische Bewegung zulässig.
Tolerance specification includes mounting tolerances and thermal expansion. No dynamic movement permitted.

Original drawing		Scale		Format		RON 7x5		Drawing No. C095230-05		Change No. Serie	
Dimensions in mm		1:1		A1		Anschlussmaße		Tolerierung nach DIN ISO 8015		Tolerances as per DIN ISO 8015	
Allgemeintoleranzen ISO 2768-mH ± 0.2mm - 0.2		General tolerances ISO 2768-mH ± 0.2mm - 0.2		Tolerierung: DIN 2300		Tolerances: DIN 2300		The reproduction, distribution and utilization of this document as well as the communication of its contents to others without express authorization is prohibited.		Offenders will be held liable for the payment of damages. All rights reserved in the event of the grant of a patent, utility model or design. (ISO 9216)	
HEIDENHAIN DR. JOHANNES HEIDENHAIN GmbH 83301 Traunreut, Germany								Version Revision Sheet			
D 359596 - 13 - A - 01								1 of 1			