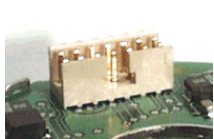
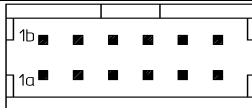
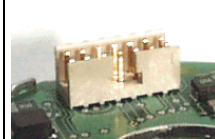
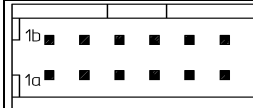


78	Anschluss-Belegung
	Elektr. Anschluss
	Geometrie Polbild
~1Vss	Ausgangssignal
..	Eingangssignal
EnDat01	Datenschnittstelle
..	Teilkreiszusatzspur
12 polig	Kundenseitige Steckerausführung
4b	Versorgung 0V (Un)
3a	Versorgung 0V (Sensorleitung)
1b	Versorgung +V (Up)
6a	Versorgung +V (sensorleitung)
Im Messgerät	Versorgung verbunden mit Sensorleitung
2a	Spannungssignal A+
5b	Spannungssignal A-
4a	Spannungssignal B+
3b	Spannungssignal B-
6b	Serielle Datenübertragung Daten
1a	Serielle Datenübertragung Daten invers
2b	Serielle Datenübertragung Takt
5a	Serielle Datenübertragung Takt invers

78	Pin configuration
	Electrical connetion
	Geometry of pole pattern
~1Vss	Output signal
..	Input signal
EnDat01	Data interface
..	Additional circular-scale track
12 polig	customer's connection version
4b	supply 0 V (Un)
3a	supply 0 V sensor line
1b	supply +V (Up)
6a	supply +V (sensor line)
In encoder	supply connected with sensor line
2a	voltage signal A+
5b	voltage signal A-
4a	voltage signal B+
3b	voltage signal B-
6b	serial interface for data
1a	serial interface for data, inverse
2b	serial interface for clock
5a	serial interface for clock, inv.

Connection layout 78 62S12 ~1Vpp EnDat01				Pin Layout		Change No: 53223	
The reproduction, distribution and utilization of this document as well as the communication of its contents to others without express authorization is prohibited. Offenders will be held liable for the payment of damages. All rights reserved in the event of the grant of a patent, utility model or design. (ISO 16016)							
HEIDENHAIN DR. JOHANNES HEIDENHAIN GmbH 83301 Traunreut, Germany		Serie	Version	Revision	Sheet	Page	
		D323746	- 00	- B	- 01	1/1	
Document No							