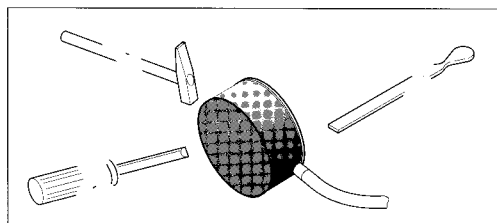
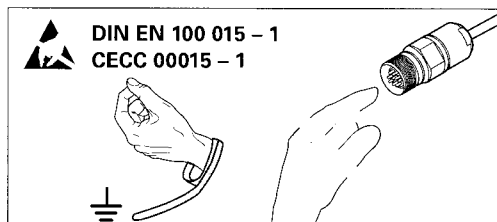
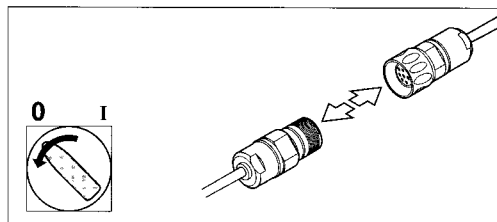


ERO 1421
ERO 1422

Montageanleitung
Mounting Instructions
Instructions de montage
Istruzioni di montaggio
Instrucciones de montaje

9/99



DR. JOHANNES HEIDENHAIN GmbH

Dr.-Johannes-Heidenhain-Straße 5

D-83301 Traunreut, Deutschland

☎ (0 86 69) 31-0

FAX (0 86 69) 50 61

e-mail: info@heidenhain.de

☎ **Service** (0 86 69) 31-12 72

☎ TNC-Service (0 86 69) 31-14 46

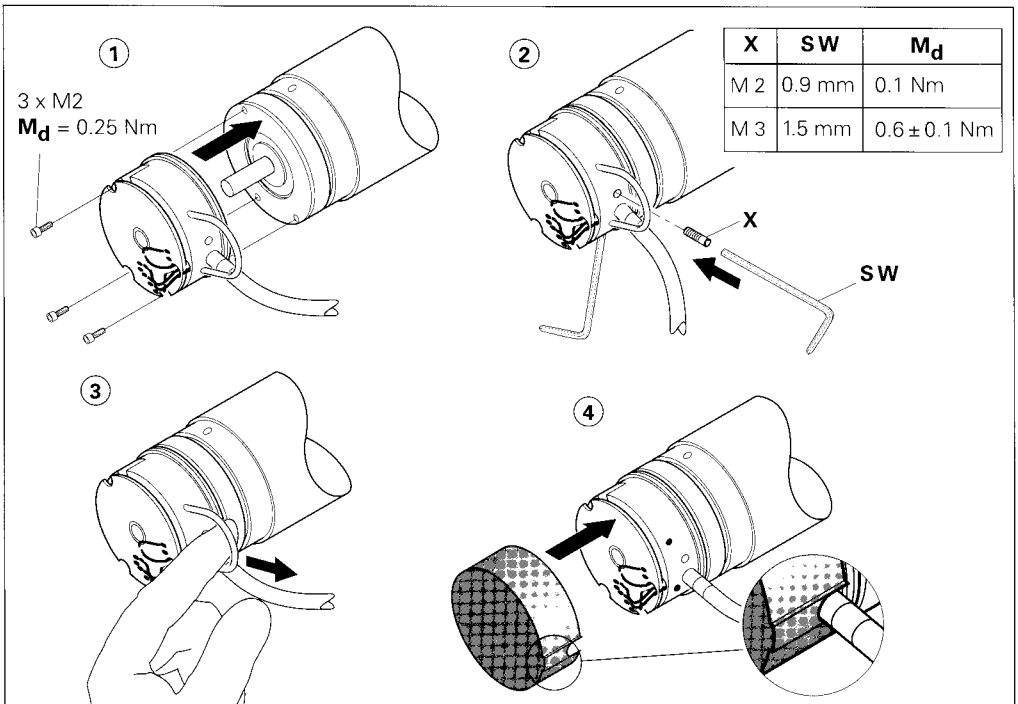
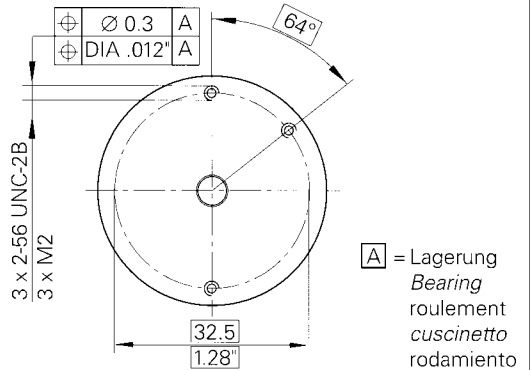
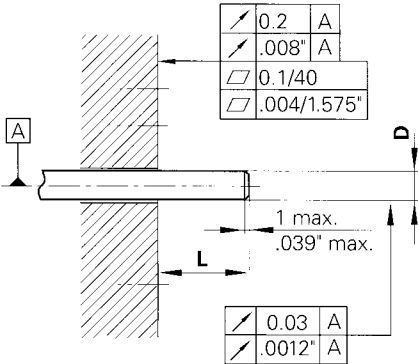
FAX (0 86 69) 98 99

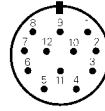
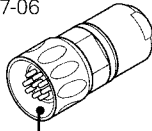
e-mail: service@heidenhain.de

<http://www.heidenhain.de>

ERO 1421/ERO 1422

D	L	X
$\varnothing 4h6$ DIA .15748" $-.00031$ "	16+0.5/-6 .630+.020"/-.236"	M 3
$\varnothing 6h6$ DIA .23622" $-.00031$ "	16+0.5/-6 .630+.020"/-.236"	M 3
$\varnothing 8h6$ DIA .31496" $-.00035$ "	14+0.5/-4 .551+.020"/-.157"	M 2

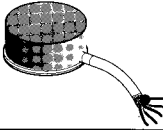




ERO 1421.x04x

3	4	5	6	8	1	7	2	11	Schirm Shield blindage schermo blindaje	10	12
U_{a0}	U_{a0}	U_{a1}	\overline{U}_{a1}	U_{a2}	\overline{U}_{a2}	/	5V sensor	0V sensor		0V U_N	5V U_P
rot red rouge rosso rojo	schwarz black noir nero negro	braun brown brun marrone marrón	grün green vert verde	grau gray gris grigio gris	rosa pink rose rosa rosa	violett violet violet viola violeta	blau blue bleu azzurro azul	weiß white blanc bianco blanco			weiß/grün white/green blanc/vert bianco/verde blanco/verde

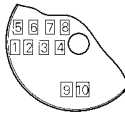
IEC 742 EN 50 178



ERO 1421.x05x

U_{a1}	U_{a2}	U_{a0}	\overline{U}_{a1}	\overline{U}_{a2}	U_{a0}	Schirm Shield blindage schermo blindaje	0V U_N	5V U_P	
weiß white blanc bianco blanco	blau blue bleu azzurro azul	grün green vert verde	weiß/schwarz white/black blanc/noir bianco/nero blanco/negro	blau/weiß blue/white bleu/blanc azzurro/bianco azul/blanco	grün/weiß green/white vert/blanc verde/bianco verde/blanco			schwarz black noir nero negro	rot red rouge rosso rojo

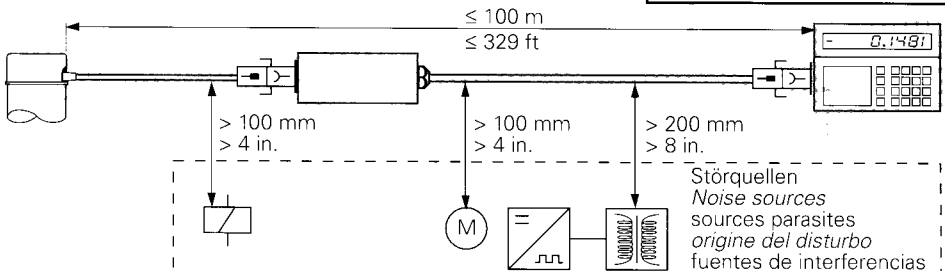
IEC 742 EN 50 178




ERO 1422.x0xx

1	2	3	4	7	8	9	10	Schirm Shield blindage schermo blindaje	5	6
U_{a2}	\overline{U}_{a2}	U_{a1}	\overline{U}_{a1}	\overline{U}_{a0}	U_{a0}	5V sensor	0V sensor		5V U_P	0V U_N
grau gray gris grigio gris	rosa pink rose rosa rosa	braun brown brun marrone marrón	grün green vert verde	schwarz black noir nero negro	rot red rouge rosso rojo	blau blue bleu azzurro azul	weiß white blanc bianco blanco			braun/grün brown/green brun/vert marrone/verde marrón/verde


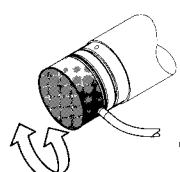

IEC 742 EN 50 178

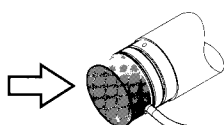


Ø 4.5 mm DIA .178 in.	$R_1 \geq 10 \text{ mm}$ $R_1 \geq .4 \text{ in.}$	$R_2 \geq 50 \text{ mm}$ $R_2 \geq 2 \text{ in.}$
Ø 8 mm DIA .315 in.	$R_1 \geq 40 \text{ mm}$ $R_1 \geq 1.6 \text{ in.}$	$R_2 \geq 100 \text{ mm}$ $R_2 \geq 4 \text{ in.}$




IP 40
IEC 529
EN 60 529

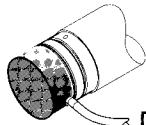
 <p>°C (°F)</p>	 <p>0 ... 70 °C (32 ... 158 °F)</p>
	 <p>-30 ... 80 °C (-22 ... 176 °F)</p>



$U_P = 5 \text{ V} \pm 10 \%$
(max. 150 mA)

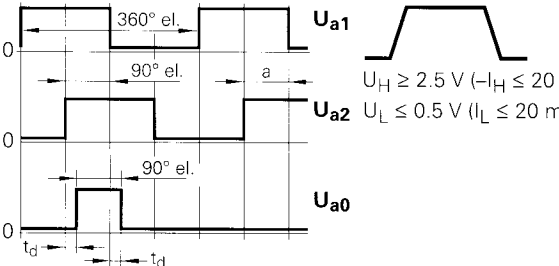
 IEC 742
EN 50 178

TTL



U_{a1}, U_{a2}, U_{a0}

$\underline{U_{a1}}, \underline{U_{a2}}, \underline{U_{a0}}$



$U_H \geq 2.5 \text{ V} \text{ (} -I_H \leq 20 \text{ mA)}$
 $U_L \leq 0.5 \text{ V} \text{ (} I_L \leq 20 \text{ mA)}$

$|t_d| \leq 50 \text{ ns}$ $a \geq 0.8 \mu\text{s}$