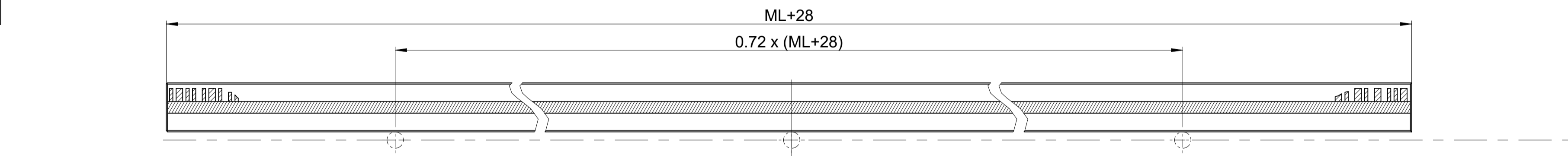
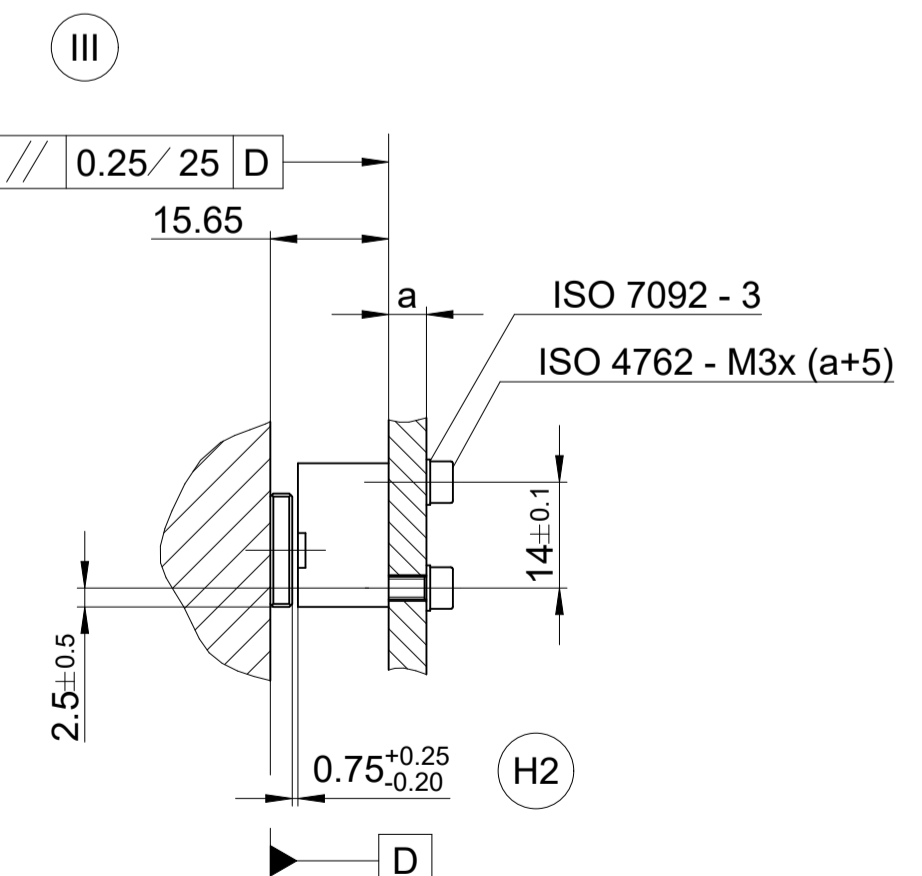
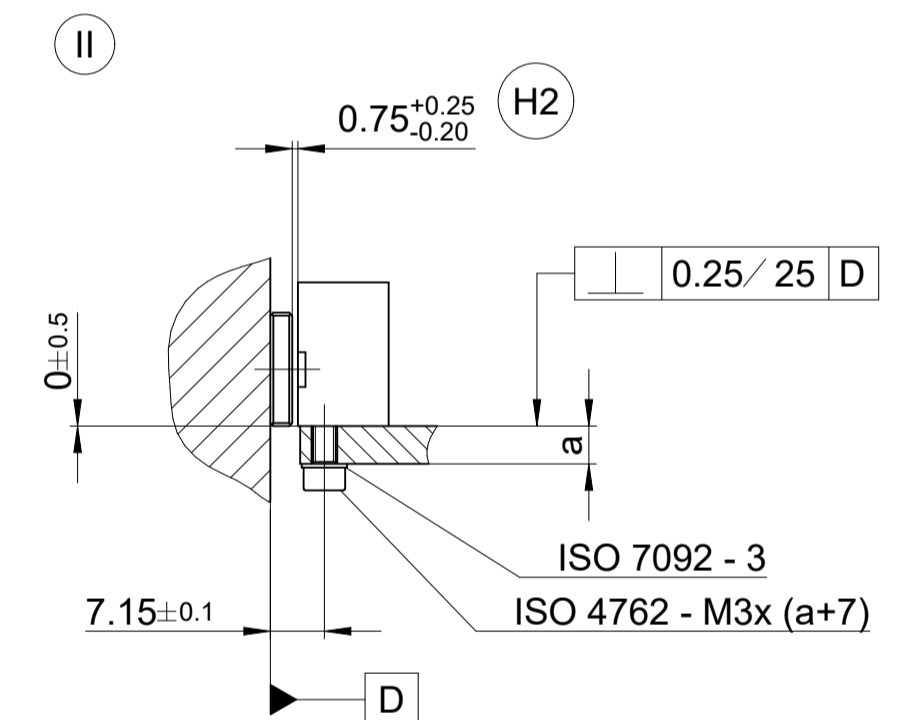
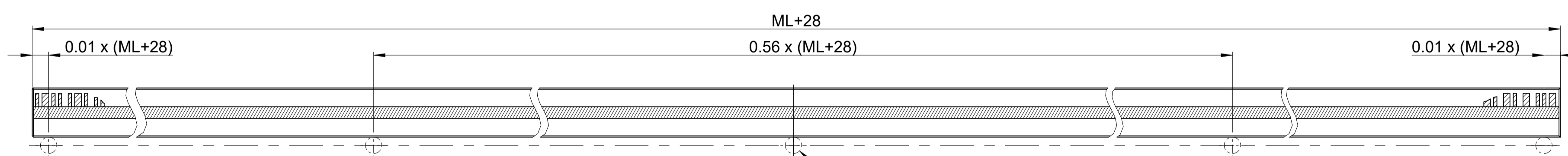


Position Anschlagstifte  
Position stop pins

ML ≤ 2040

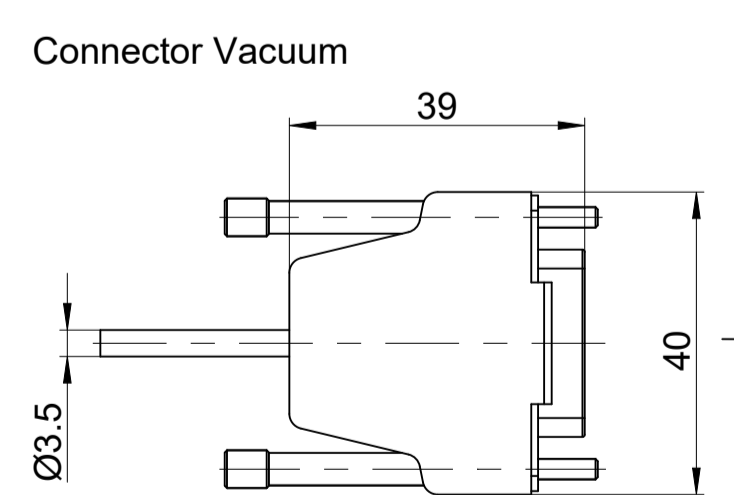


ML > 2040



- I II III = Montagemöglichkeiten = Mounting options
- F = Maschinenführung = Machine guideway
- \* = Anbaufehler plus dyn. Führungsfehler = Mounting failure plus dyn. failures of guideway
- L = Maßstablänge = Scale length
- S = Beginn der Messlänge ML = Beginning of measuring length ML
- H1 = Optische Mittellinie = Optical centreline
- H2 = Montageabstand Abtastkopf zu Maßstab = Mounting gap
- H3 = Bewegungsrichtung der Abtasteinheit für Ausgangssignale gemäß Schnittstellenbeschreibung = Direction of scanning unit motion for output signals in accordance with interface description
- H4 = Abstand wird bei Montage mit Abstandsfolie eingestellt = Distance is adjusted with spacer foil while mounting process
- H5 = abhängig von Messlänge ML zusätzliches Spannpratzenpaar = depending on measuring length ML additional pair of fixing clamps
- H6 = Anschlagfläche Maßstab = Stop surface scale
- K = Klebstoff = Adhesive
- G = Fixpunktelement zur Definition des thermischen Fixpunktes = Fixed-point element in order to define the thermal fixed point

Empfehlung / Recommendation: Ø 3



	d	R	R
		Feste Verlegung	Wechselbiegung
		Rigid configuration	Frequent flexing
Vacuum	D 3.5 mm	> 10 mm	>= 50 mm

Original drawing		Scale		Format		ID number:	
1:1		A1		LIC 41x3V		C191278-05	
Dimensions in mm				LIC 41x3V		Change No.	
				Anschlussmaße / Mating Dimensions		Serie	
						Tolerances as per ISO 8015	
						General Tolerances ISO 2768-1:2008-mH ±0.2	
						The reproduction, distribution and utilization of this document as well as the communication of its contents to others without express authorization is prohibited. Offenders will be held liable for the payment of damages. All rights reserved in the event of the grant of a patent, utility model or design. (ISO 18015)	
				Released		Version / Revision / Sheet / Page	
				04.12.2025		D1476649-00 - A-01	
						1 of 1	
						Document number	

**HEIDENHAIN**  
DR. JOHANNES HEIDENHAIN GmbH  
83301 Traunreut, Germany