

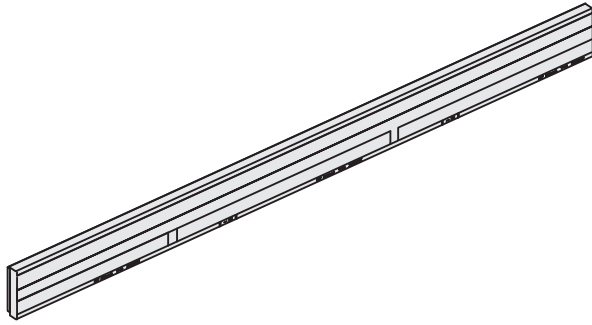


1409931-20

Operating Instructions (Authorized Documentation)

MS 15 GK, GO, BK, BO, NK, NO

English (en)
02/2024



This document is provided in multiple languages and available by QR code or at:

www.heidenhain.com/documentation



1409931

Search

EN	DE	FR	IT	ES	SV	NL	DA	FI	CS
BG	ET	EL	HU	JA	KO	LV	TR	NO	PL
PT	RU	SL	RO	SK	LT	HR	zh-CN	zh-TW	

1 Fundamentals

1.1 About these instructions

These Instructions contain all the information and safety precautions needed for the proper operation of the product according to its intended use.



Further information is available in specific documents, depending on the life-cycle phase of the product and on the target group for the activity.

Further information: "Information based on the document type, the life-cycle phase of the product, and the target group", Page 2

1.2 Notes on reading this document

! WARNING

Fatal accidents, personal injury or property damage caused by non-compliance with the documentation!

Failure to comply with the documentation may result in fatal accidents, personal injury or property damage.

- ▶ Read the documentation carefully from beginning to end
- ▶ Keep the documentation for future reference

2 Safety

2.1 Intended use

The products of this/these series are encoders for position measurement.

The products are intended for use in research facilities, commercial applications, and in an industrial environment.

The products must be used only in accordance with the information based on the life-cycle phase of the product and on the target group.

Further information: "Information based on the document type, the life-cycle phase of the product, and the target group", Page 2

2.2 Improper use

Any use not specified in "Intended use" is considered improper use. The company operating the device is solely liable for any damage resulting from improper use.

2.3 Obligations of the operating company

The company operating the product must provide the personnel with the most current version of all documentation on the product.

2.4 General safety precautions



Mounting and initial configuration must be conducted by a qualified specialist in compliance with local safety regulations.



Encoders and encoder accessories may only be repaired by trained RSF Elektronik technicians.

! WARNING

Fatal accidents, personal injury, or property damage when engaging or disengaging live connecting elements


Engaging or disengaging connecting elements while the system is under power may result in fatal accidents, personal injury, or property damage.



- ▶ Do not engage or disengage any connecting elements while the product is under power.




Encoders and encoder accessories that have contributed to the failure of a safety function in the application must be returned to RSF Elektronik.


3 Information based on the document type, the life-cycle phase of the product, and the target group

 The following documents must be read and observed by the stated target groups before mounting, initial configuration, or disposal of the encoder.

 Freely available documents are available at www.heidenhain.com/documentation.
Further documents are available upon  request.

Document	Document ID	Life-cycle phase of the product/ Contents	Installation technician	Designer	Control manufacturer
Operating Instructions Operating Instructions MS 15 GK, GO, BK, BO, NK, NO	1409931	<ul style="list-style-type: none"> Operation of the unit 	✓	✓	✓
Dimension drawing MS 15 GK, GO, BK, BO, NK, NO	1131280	<ul style="list-style-type: none"> Dimensions Mounting tolerances 	✓	✓	
Mounting Instructions Mounting Instructions MS 15 GK, GO, BK, BO, NK, NO	1250926	<ul style="list-style-type: none"> Mounting the product 	✓	✓	
Brochure MS 15 Exposed Linear Encoders with Homing and Limit Function	1118281	<ul style="list-style-type: none"> Technical features, operating conditions, and mounting information Specifications, dimension drawing Electrical connection Accessory 		✓	
Declaration of Conformity	 Website Search for product ID	<ul style="list-style-type: none"> Conformity with applicable directives 		✓	✓

Technical support

 +43 (0)6278 / 8192-53
E-mail: service@rsf.at
www.rsf.at

RSF Elektronik
RSF Elektronik Ges.m.b.H.
Tarsdorf 93, 5121 Tarsdorf, Austria