



1408916-20

Operating Instructions (Authorized Documentation)

MB MC 15 MK

English (en)
02/2026

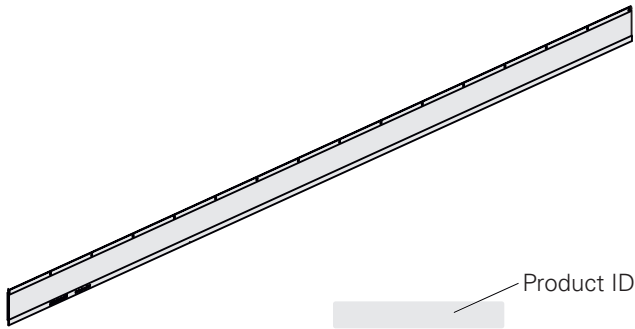


Image without details

Find freely available documents for your product at:
www.heidenhain.com/documentation

Product ID

Search



EN	DE	FR	IT	ES	SV	NL	DA	FI	CS	BG
ET	EL	HU	JA	KO	LV	TR	NO	PL	PT	RU
			SL	RO	SK	LT	HR	zh-CN	zh-TW	

This document is provided in multiple languages:

1408916

Search

1 Fundamentals

1.1 About these instructions

These Instructions contain all the information and safety precautions needed for the proper operation of the product according to its intended use.



Further information is available in specific documents, depending on the life-cycle phase of the product and on the target group for the activity.

Further information: "Information based on the document type, the life-cycle phase of the product, and the target group", Page 2

1.2 Notes on reading this document

⚠ WARNING

Fatal accidents, personal injury or property damage caused by non-compliance with the documentation!

Failure to comply with the documentation may result in fatal accidents, personal injury or property damage.

- ▶ Read the documentation carefully from beginning to end
- ▶ Keep the documentation for future reference

2 Safety

2.1 Intended use

The products of this/these series are encoders for position measurement.

The products are intended for use in research facilities, commercial applications, and in an industrial environment.

The products must be used only in accordance with the information based on the life-cycle phase of the product and on the target group.

Further information: "Information based on the document type, the life-cycle phase of the product, and the target group", Page 2

2.2 Improper use

Any use not specified in "Intended use" is considered improper use. The company operating the device is solely liable for any damage resulting from improper use.

2.3 Obligations of the operating company

The company operating the product must provide the personnel with the most current version of all documentation on the product.

2.4 General safety precautions



Mounting and initial configuration must be conducted by a qualified specialist in compliance with local safety regulations.



Encoders and encoder accessories may only be repaired by trained RSF Elektronik technicians.

⚠ WARNING

Fatal accidents, personal injury, or property damage when engaging or disengaging live connecting elements!

Engaging or disengaging connecting elements while the system is under power may result in fatal accidents, personal injury, or property damage.

- ▶ Do not engage or disengage any connecting elements while the product is under power.



Encoders and encoder accessories that have contributed to the failure of a safety function in the application must be returned to RSF Elektronik.

3 Information based on the document type, the life-cycle phase of the product, and the target group



The following documents must be read and observed by the stated target groups before mounting, initial configuration, or disposal of the encoder.



Freely available documents are available at www.heidenhain.com/documentation.

Further documents are available upon Request.

Installation technician, Designer, Control manufacturer

Document	Document ID	Life-cycle phase of the product/Contents			
Operating Instructions Operating Instructions MB MC 15 MK	1408916	<ul style="list-style-type: none"> ■ Operation of the unit 	✓	✓	✓
Mating Dimensions MC 15 MK	1158017	<ul style="list-style-type: none"> ■ Dimensions ■ Mounting tolerances 	✓	✓	
Mating Dimensions MC 15xL MK	1430876	<ul style="list-style-type: none"> ■ Dimensions ■ Mounting tolerances 	✓	✓	
Mounting Instructions Mounting Instructions TMT Mx 15 MK	819303	<ul style="list-style-type: none"> ■ Mounting the product 	✓	✓	
Mounting Instructions Mounting Instructions MB MC 15 MK	1251001	<ul style="list-style-type: none"> ■ Mounting the product 	✓	✓	
Mounting Instructions Mounting Instructions TMT Mx 15 MK LH	1298000	<ul style="list-style-type: none"> ■ Mounting the product 	✓	✓	
Mounting Instructions Mounting Instructions MB MC 15xL MK	1433554	<ul style="list-style-type: none"> ■ Mounting the product 	✓	✓	
Disassembly Instructions Disassembly Instructions MS, MC	1464695	<ul style="list-style-type: none"> ■ Disassembling the product 	✓	✓	
Product Information MC 15xL Absolute Exposed Linear Encoders	1433563	<ul style="list-style-type: none"> ■ Specifications ■ Mating Dimensions 		✓	✓
Brochure MC 15 Absolute Exposed Linear Encoders	1210495	<ul style="list-style-type: none"> ■ Technical features, operating conditions, and mounting information ■ Specifications, dimension drawing ■ Electrical connection ■ Accessory 		✓	

Technical support

+43 (0)6278 / 8192-53

E-mail: service@rsf.at

www.rsf.at

RSF Elektronik

RSF Elektronik Ges.m.b.H.

Tarsdorf 93, 5121 Tarsdorf, Austria