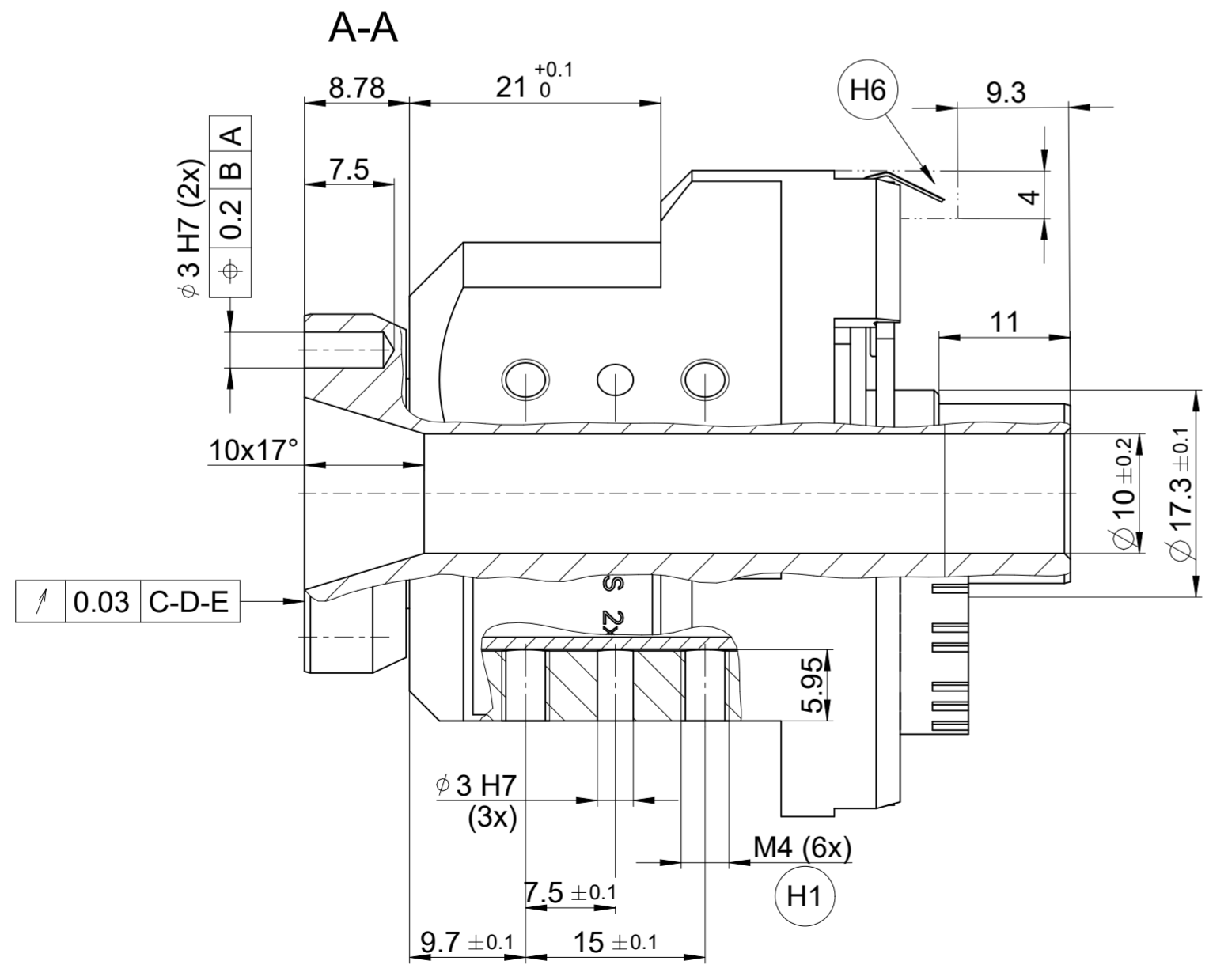
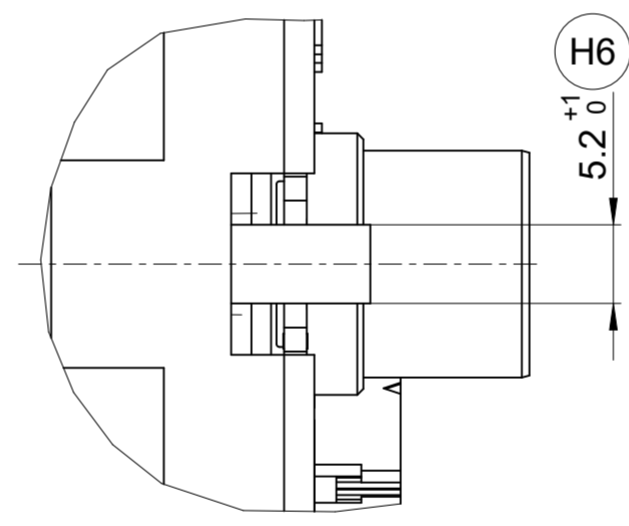
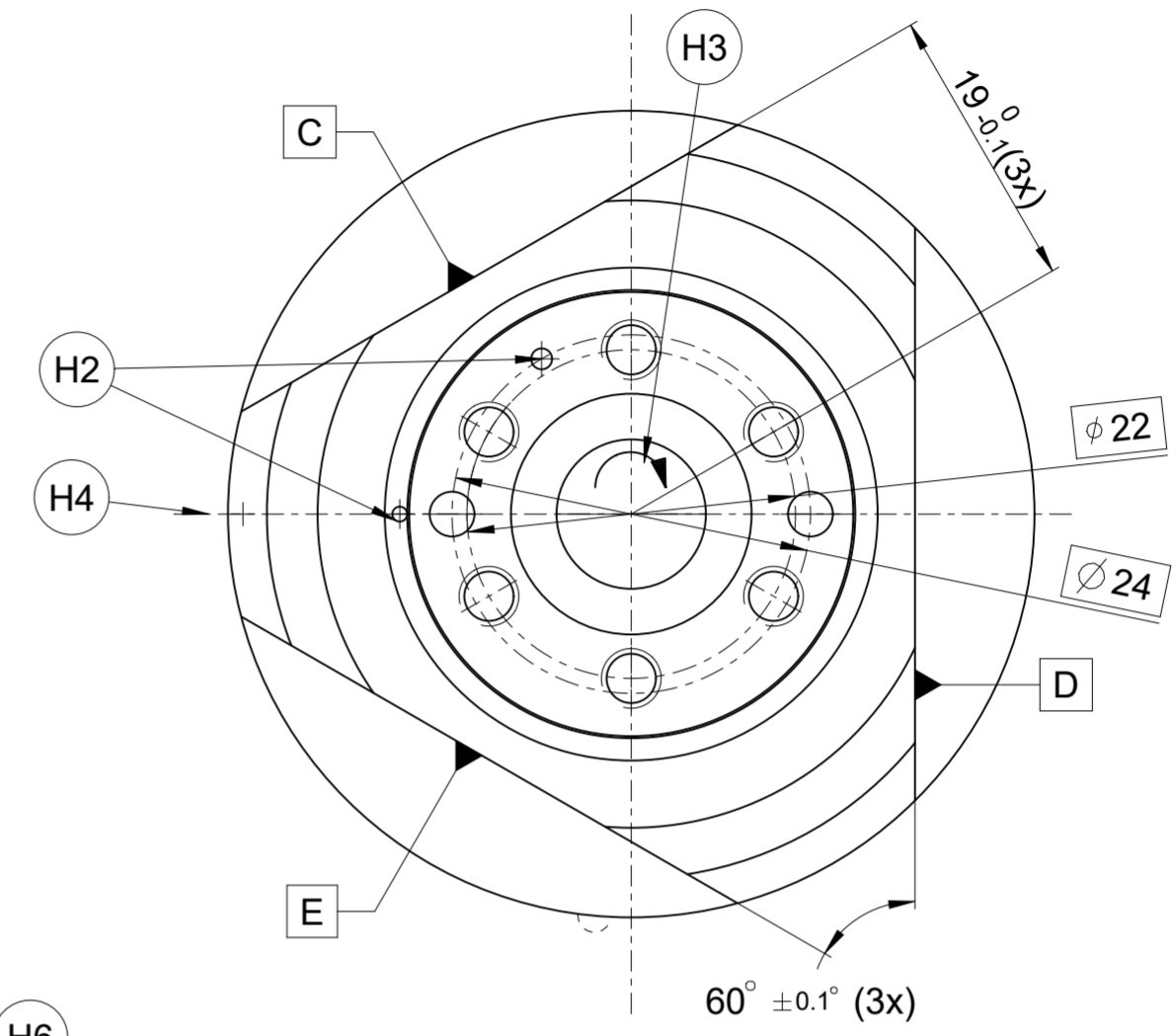
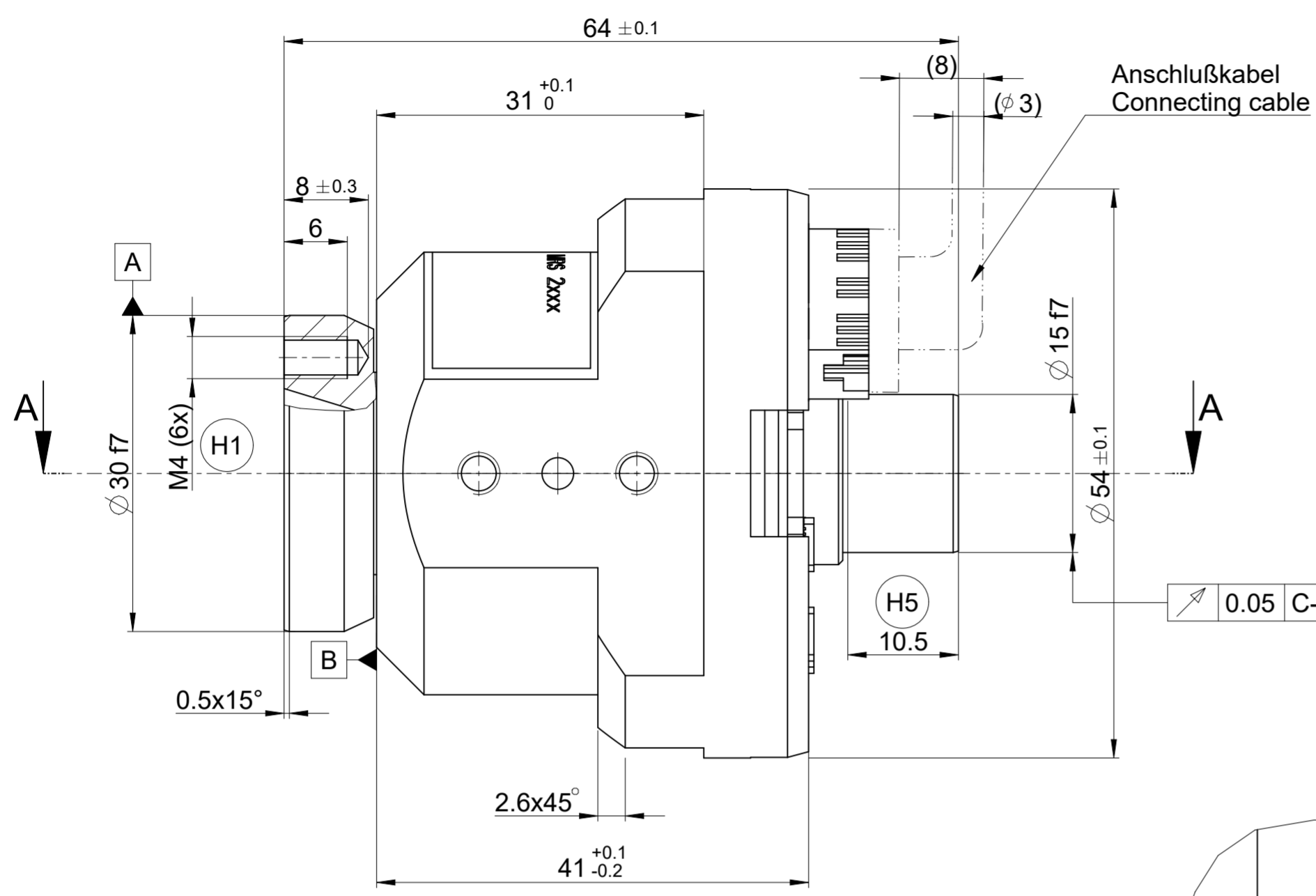


Passmaß BASIC SIZE	Abmaße DEVIATIONS
φ 3 H7	+0.010 0.000
φ 15 f7	-0.016 -0.034
φ 30 f7	-0.020 -0.041



- (H1) = Anzugsmoment der Zylinderschraube M4 - 8.8: 2,5 Nm ± 0,13 Nm
Tightening torque of the M4 - 8.8 cylinder head screw: 2,5 Nm ± 0,13 Nm
- (H2) = Markierung der 0° -Position ± 5°
Mark of 0° -position ± 5°
- (H3) = Drehrichtung der Welle für steigende Positionswerte
Direction of rotation for ascending position values
- (H4) = LED Position
LED position
- (H5) = erlaubt für Wellenklemmung
Permitted for shaft clamping
- (H6) = freier Bereich für Flex PCB
Blocking area for flex PCB

Original drawing		MRS 2231		ID number:
Scale	Format	MRS		Change No. C137467-15
Dimensions in mm	2:1	Anschlussmaße / Mating Dimensions		Phase: Serie
The reproduction, distribution and utilization of this document as well as the communication of its contents to others without express authorization is prohibited. Offenders will be held liable for the payment of damages. All rights reserved in the event of the grant of a patent, utility model or design. (ISO 16016)				Tolerances as per ISO 8015
HEIDENHAIN DR. JOHANNES HEIDENHAIN GmbH 83301 Traunreut, Germany				General Tolerances ISO 2768:1989-mH ± 0.2
Released		Version	Revision	Sheet
07.12.2023				Page
D1404641-00-A-01			1 of 1	
Document number				