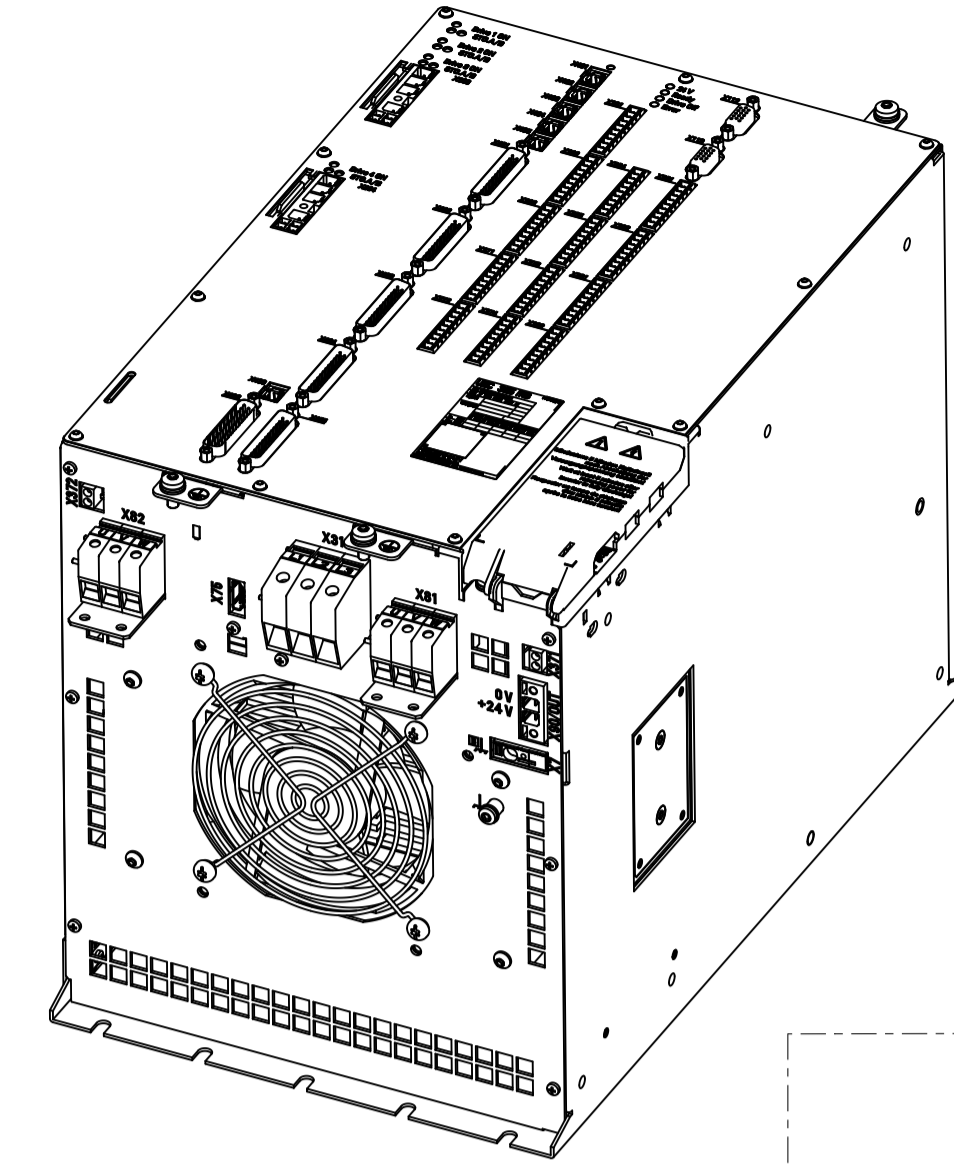
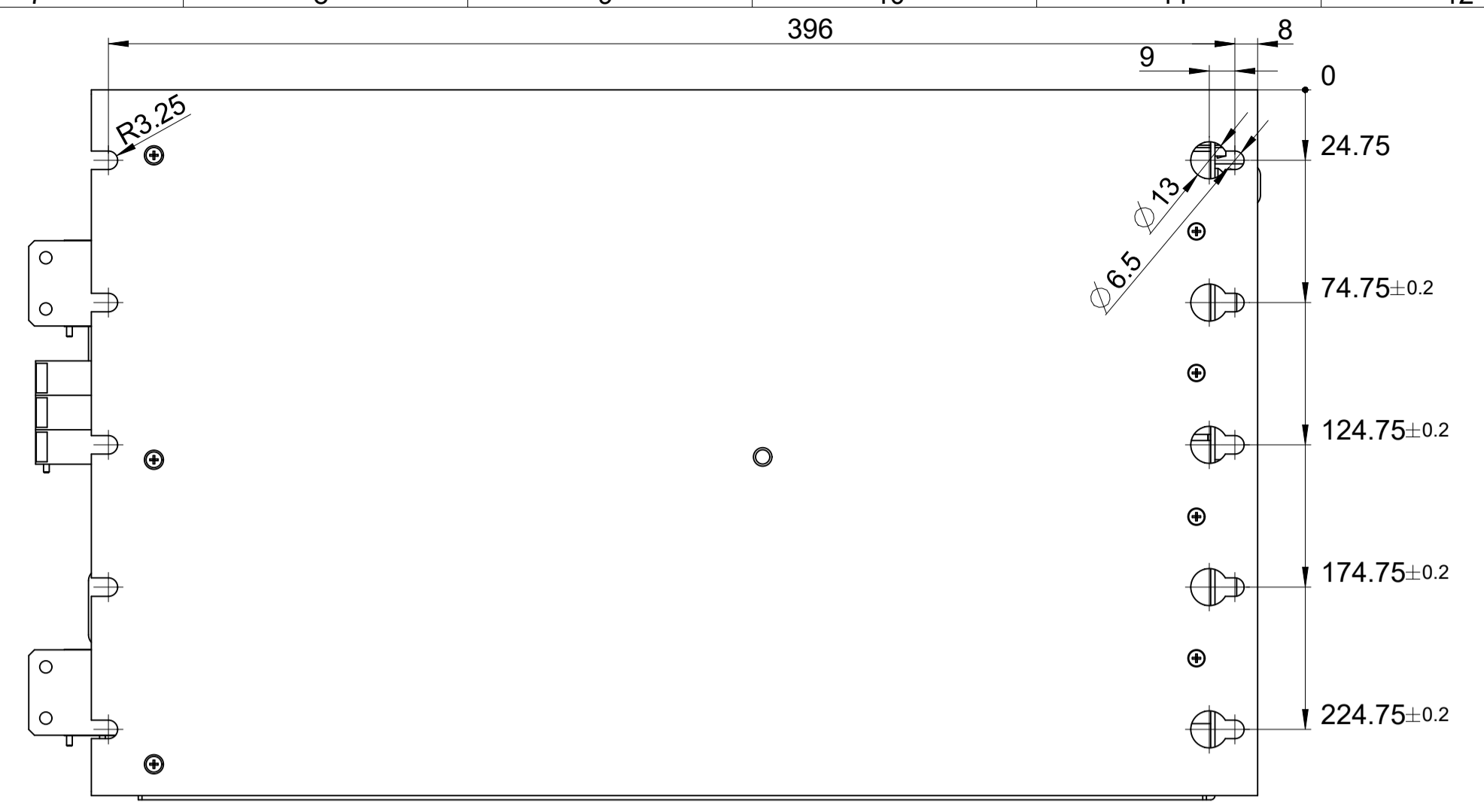


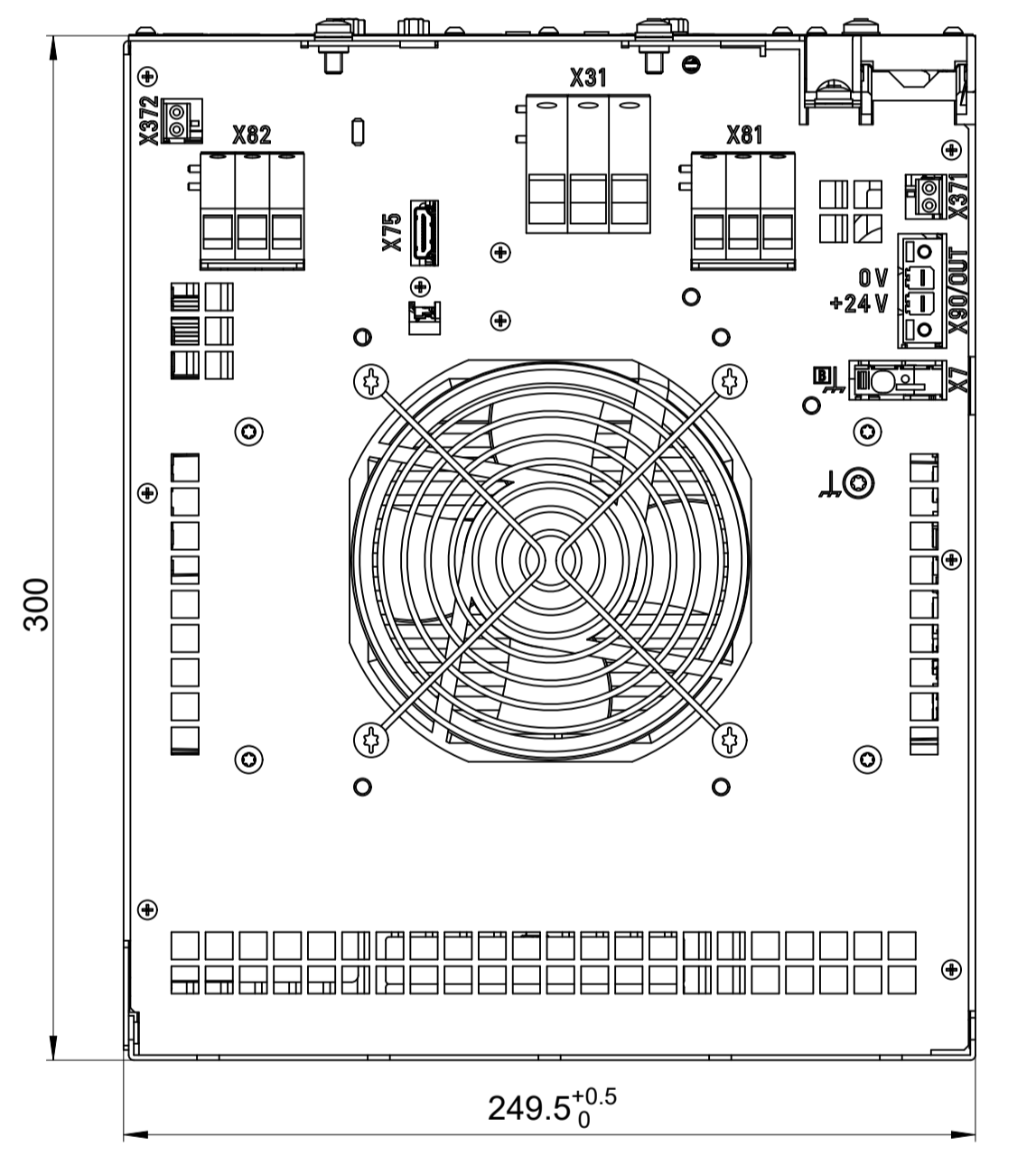
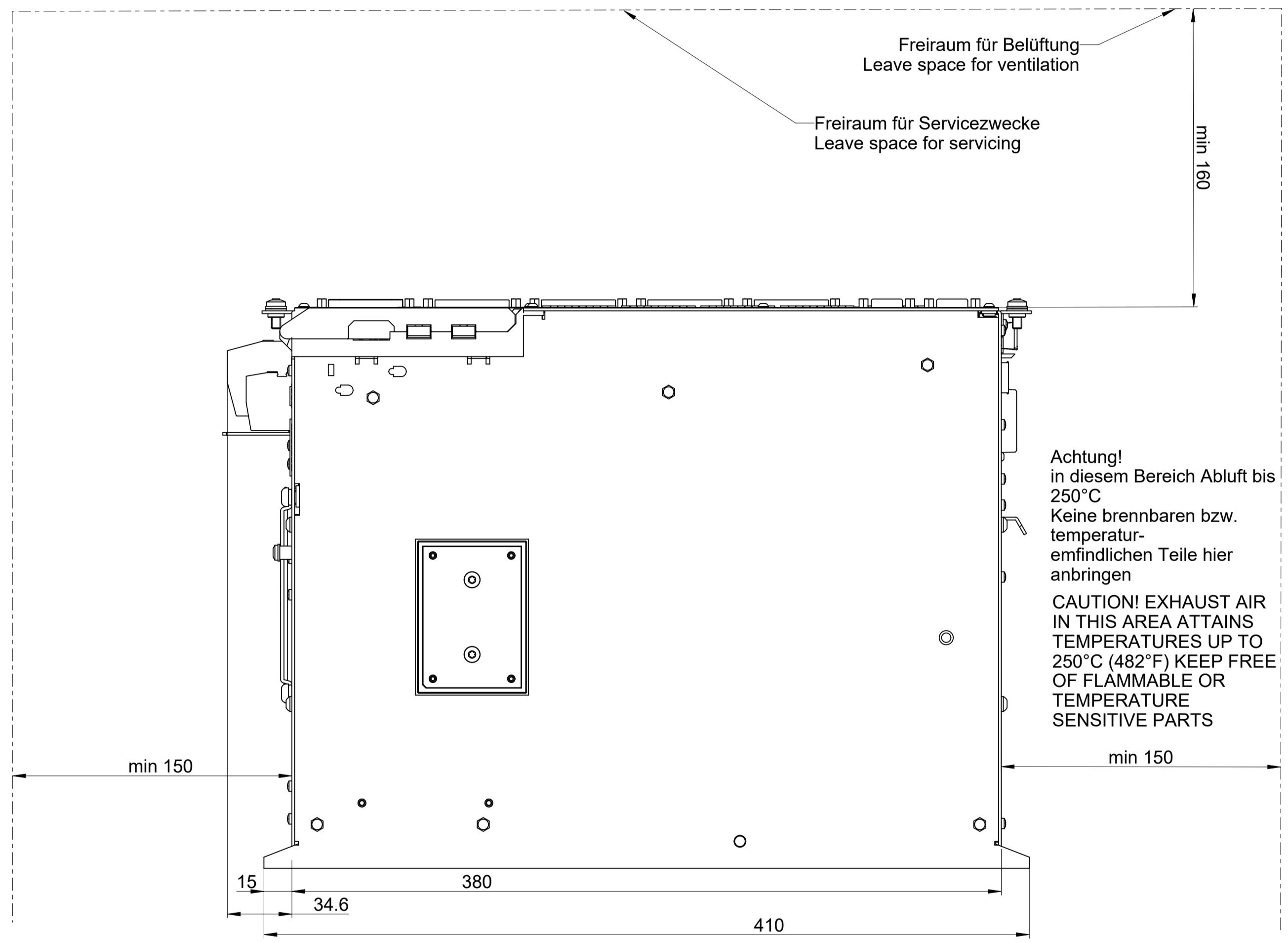
UEC325/335 (FS)



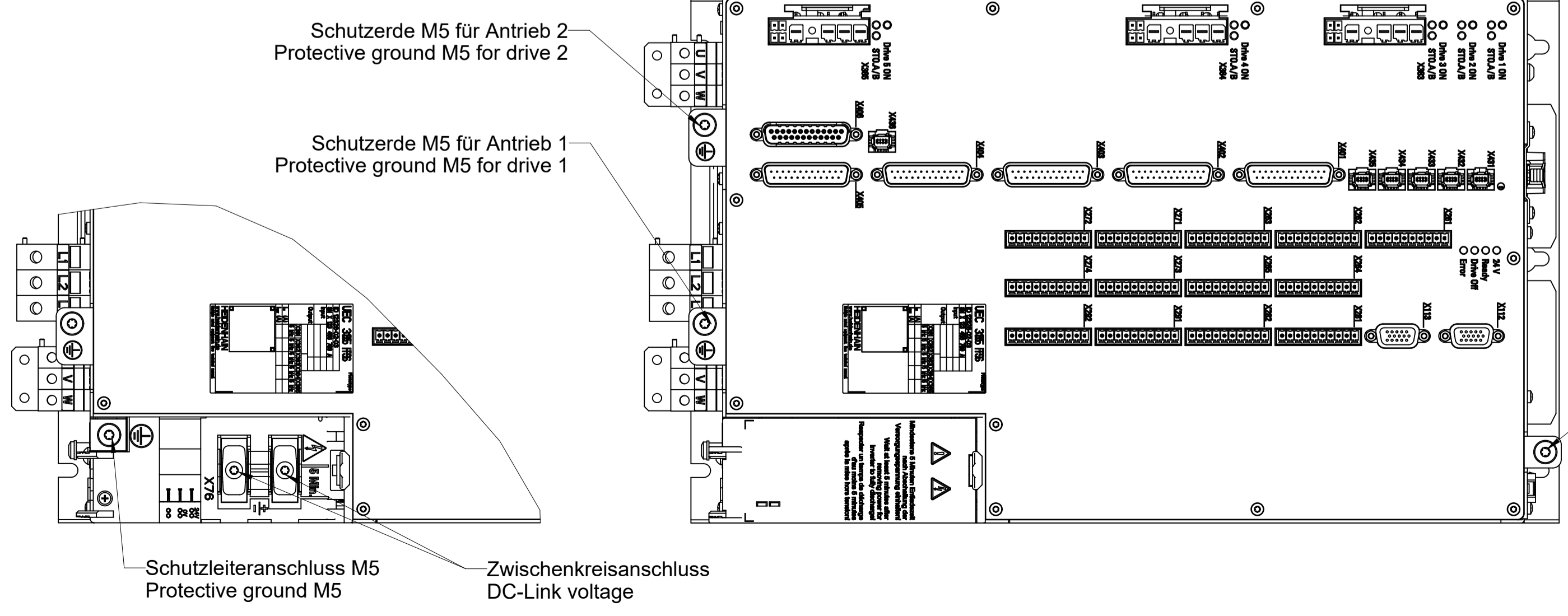
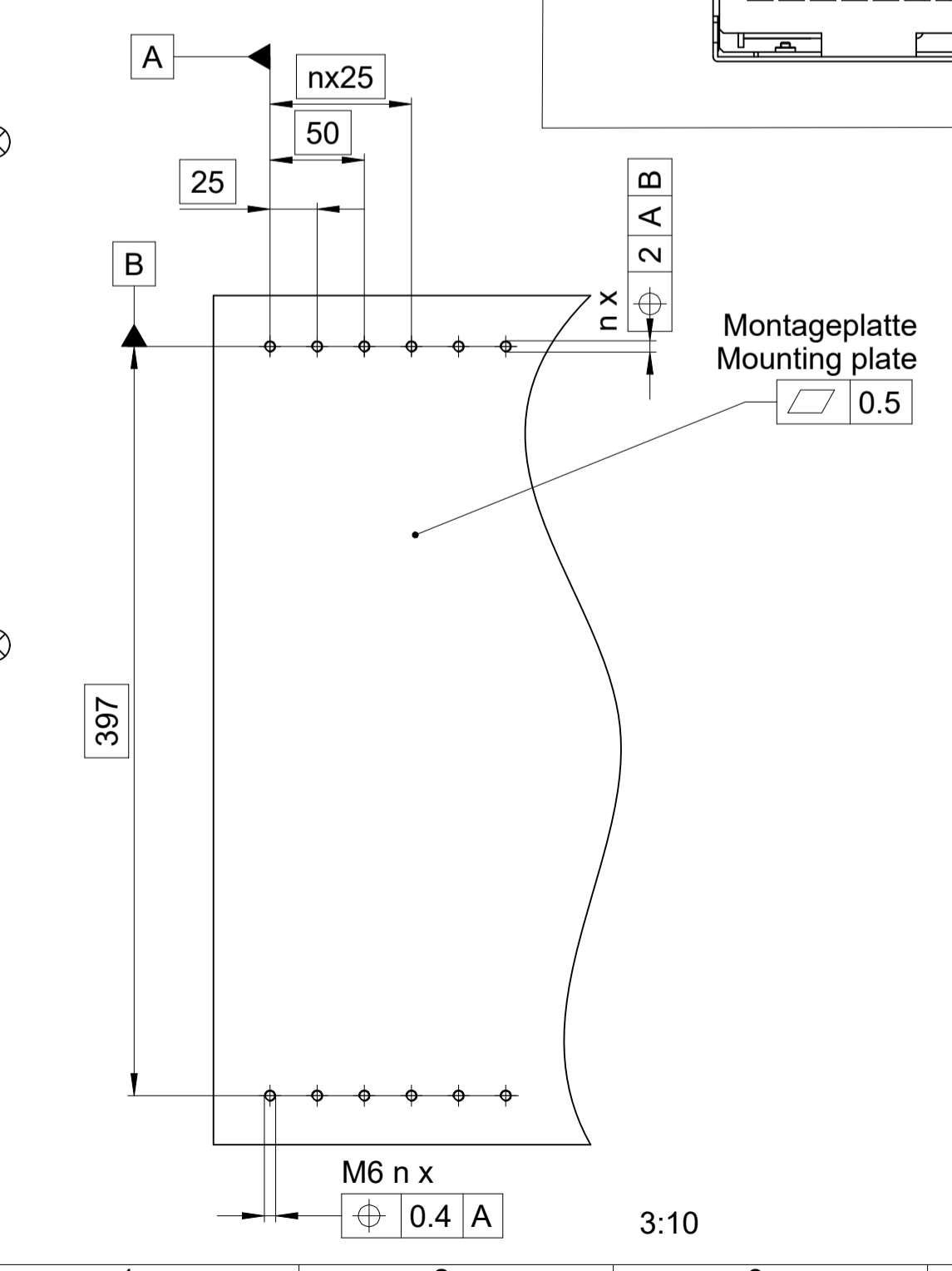
UEC324/334 (FS)



Stecker connector	Teilenummer part ID	Funktion function
X7		Erdungsanschluss 24 V ground for 24V power supply unit
X31		Netzanschluss power supply
X75		Diagnose Anschluss diagnostic connection
X76	1043632-01	Stromversorgung 24 V power supply 24 V
X81, X82	1325070-01	Motoranschluss Antrieb 1, 2 motor connection for drive 1, 2
X89	1305797-01	Bremswiderstand-Anschluss PW210 brake resistor connection PW210
X90/OUT	618824-02	24 V-Netzteil (Ausgang), Schutzleiteranschluss 24 V power supply (output), round
X112, X113		schallendes Tastsystem 1, 2 triggering touch probe 1, 2
X261-X265	372273-03	einkanalige PLC-Eingänge single-channel PLC-input
X271-X274	372273-03	einkanalige PLC-Ausgänge single-channel PLC-output
X281, X282	372273-03	zweikanalige PLC-Eingänge (nur FS) dual-channel PLC-input (only FS)
X291, X292	372273-03	zweikanalige PLC-Ausgänge (nur FS) dual-channel PLC-output (only FS)
X371, 372	1183134-01	Bremsanschluss Antrieb 1,2 brake connection for drive 1,2
X383-X385	781748-01 781748-02 781748-03	Motor- und Bremsanschluss Antrieb 3-5 motor and brake connection for drive 3-5
X401-X406		Messgeräte-Anschluss 1Vss, EnDat encoder connection 1 Vss, EnDat
X431-X436		Messgeräte-Anschluss EnDat 2.2 encoder connection EnDat 2.2
X500		HSCI Ausgang HSCI output
X502		HSCI Eingang HSCI input
X556		HFL-Anschluß (Lichtwellenleiter) HFL-connection (optical fiber cable)



Montageplatte Mounting plate



Original drawing		Scale		Format		ID number:	
1:1		A1		UEC32x/33x		C139299-15	
Dimensions in mm				Anschlussmaße / Mating Dimensions		Change No. Serie	
						Tolerances as per ISO 8015	
						General Tolerances ISO 2768-1989-mH ±0.2	
						The reproduction, distribution and utilization of this document as well as the communication of its contents to others without express authorization is prohibited. Offenders will be held liable for the payment of damages. All rights reserved in the event of the grant of a patent, utility model or design. (ISO 15015)	
Released		Version / Revision / Sheet		Page		DR. JOHANNES HEIDENHAIN GmbH	
19.12.2022		D1392372-00-B-01		1 of 1		83301 Traunreut, Germany	
		Document number					