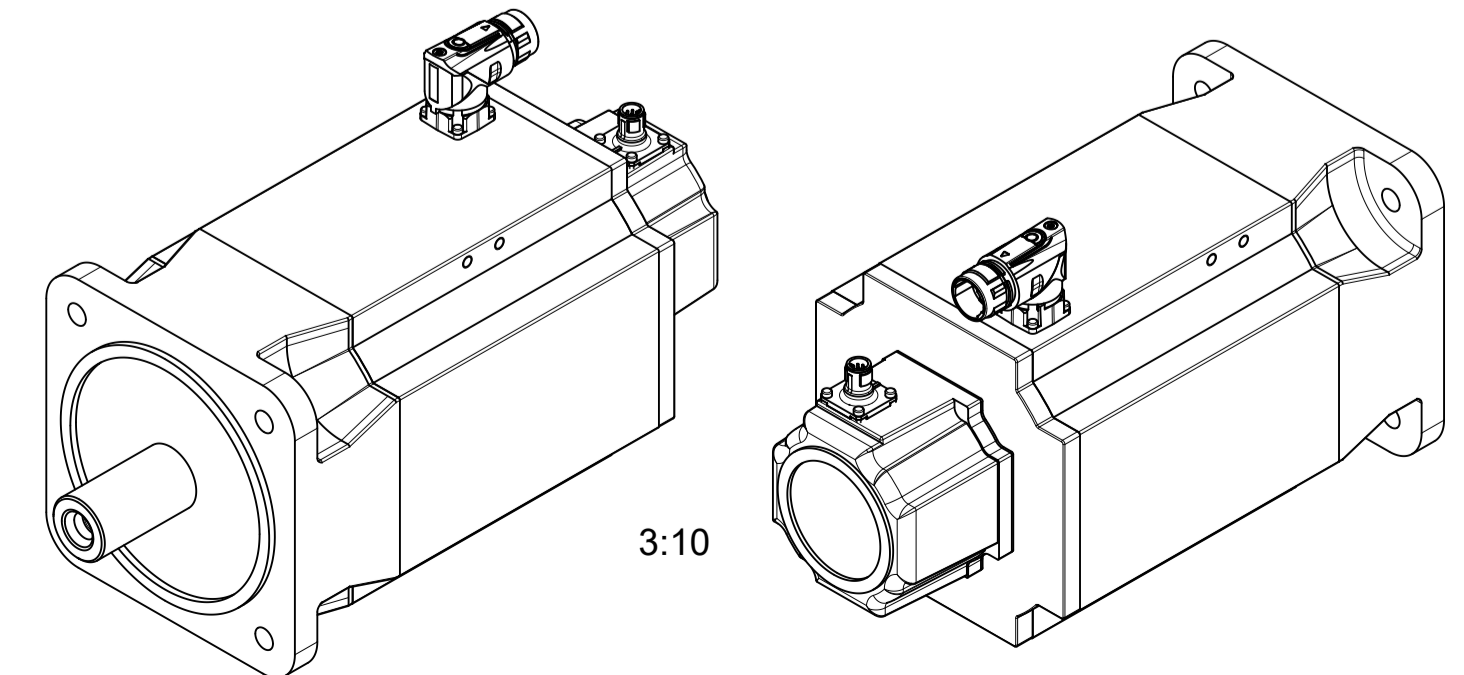
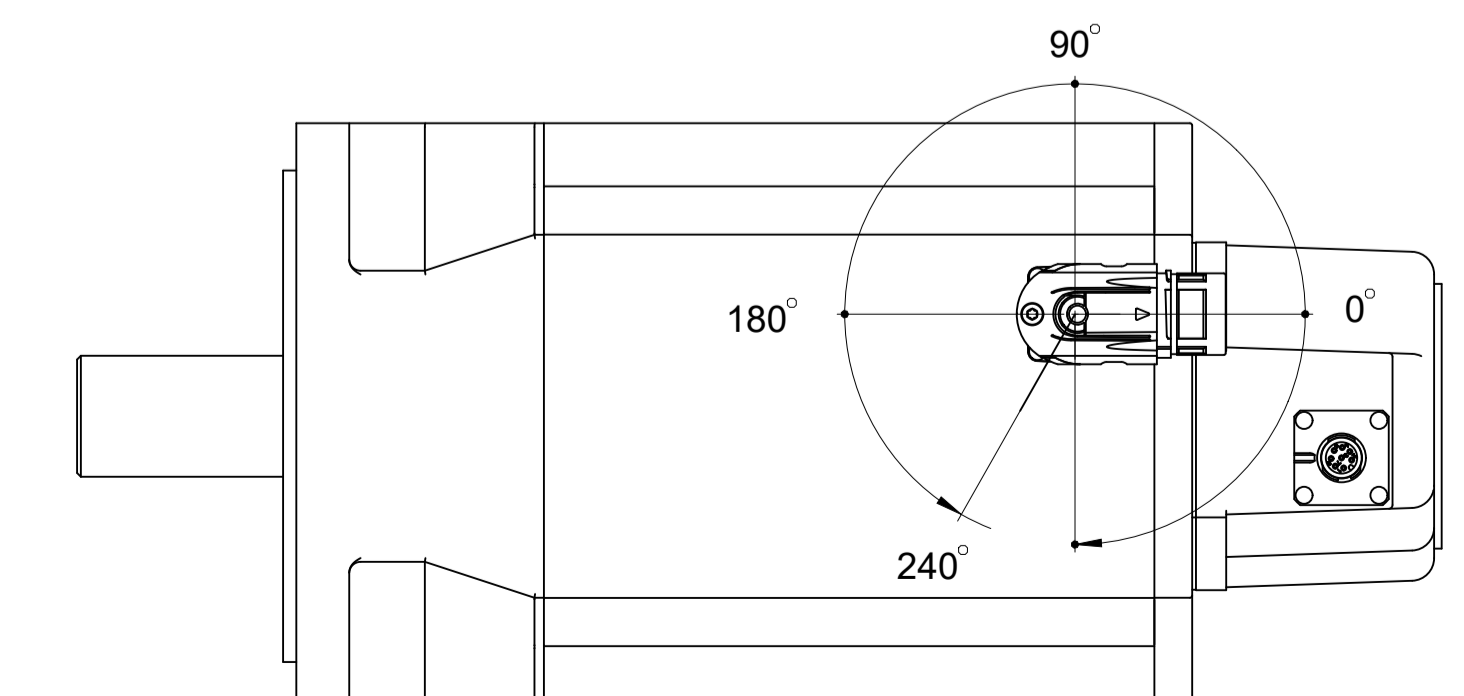
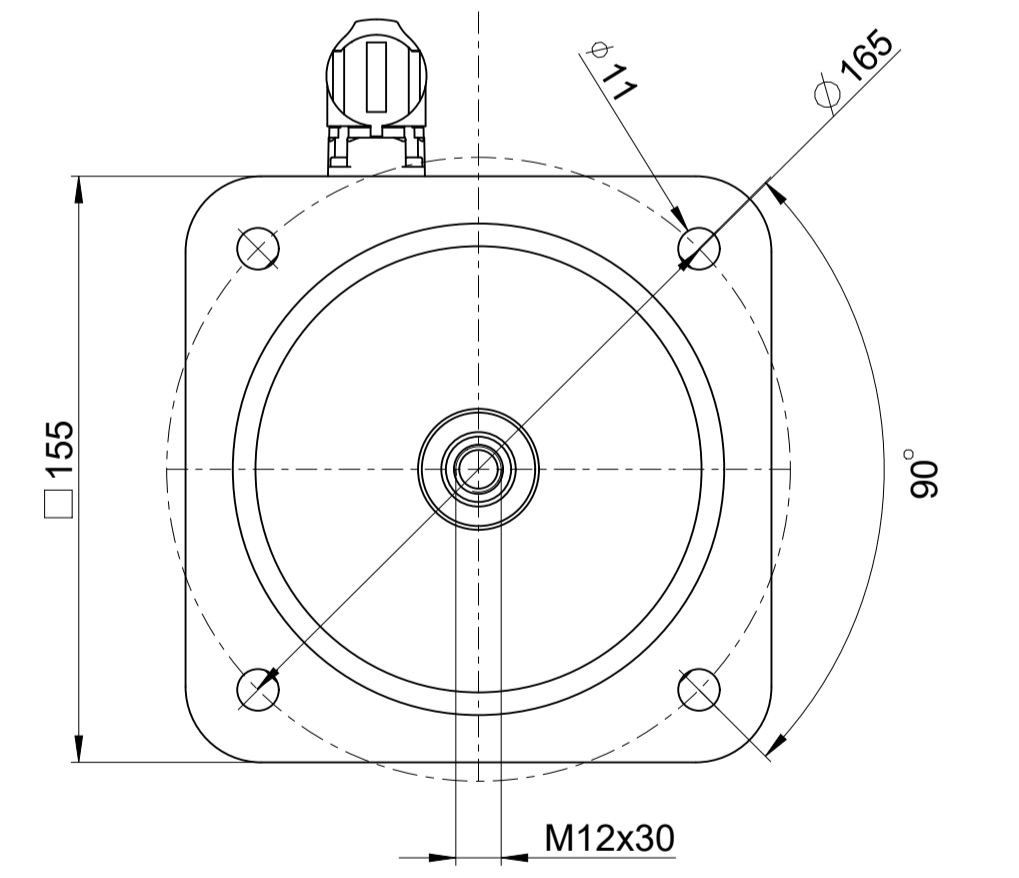
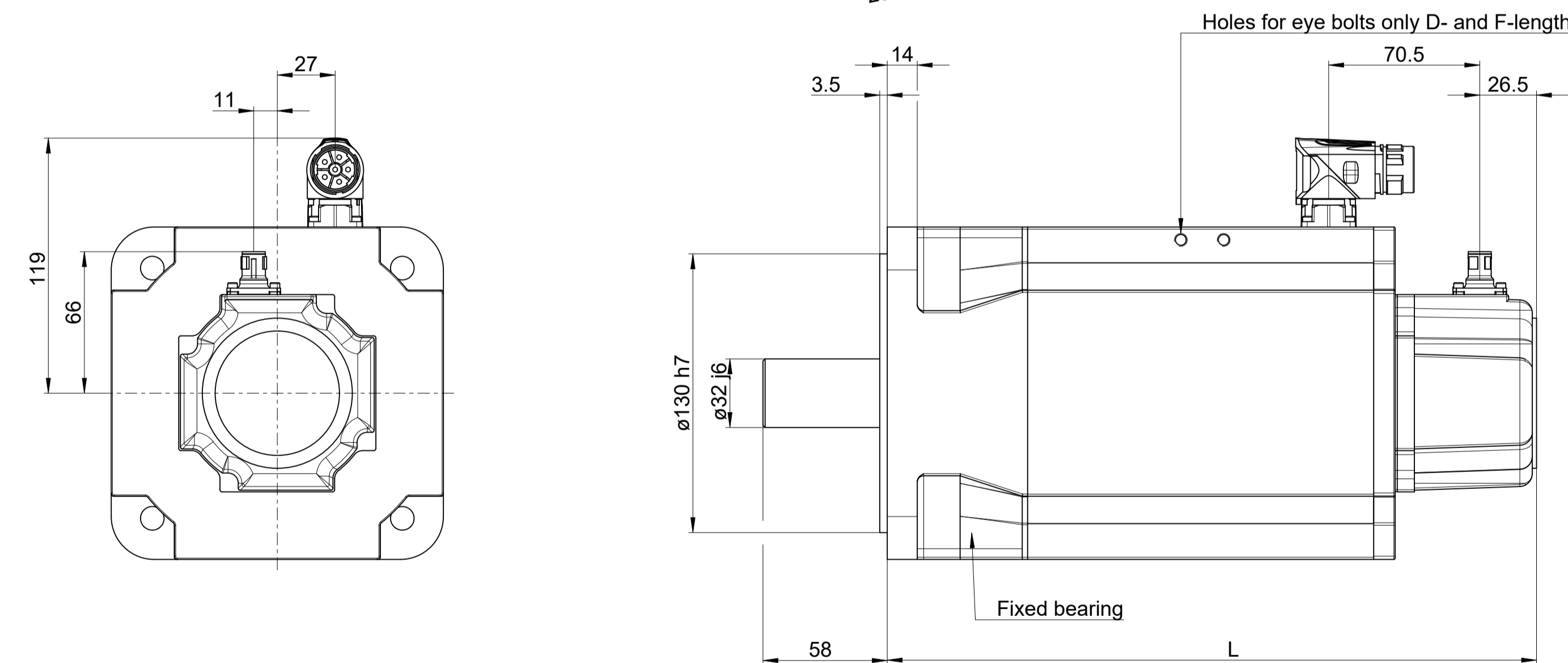


### Power connector size M40

| Name               | L   |
|--------------------|-----|
| QSY 155B           | 259 |
| QSY 155B SA        | 303 |
| QSY 155C           | 281 |
| QSY 155C SA        | 325 |
| QSY 155D           | 303 |
| QSY 155D SA        | 347 |
| QSY 155F           | 347 |
| QSY 155F SA        | 386 |
| QSY 155F EcoDyn    | 347 |
| QSY 155F SA EcoDyn | 386 |



### Power connector size M23

| Name               | L   |
|--------------------|-----|
| QSY 155B EcoDyn    | 259 |
| QSY 155B SA EcoDyn | 303 |
| QSY 155C EcoDyn    | 281 |
| QSY 155C SA EcoDyn | 325 |
| QSY 155D EcoDyn    | 303 |
| QSY 155D SA EcoDyn | 347 |

|                          |  |                              |  |                                   |  |   |  |
|--------------------------|--|------------------------------|--|-----------------------------------|--|---|--|
| Original drawing         |  | Scale                        |  | Format                            |  | ID number: 1378141-13   |  |
| 1:2                      |  | A1                           |  | QSY 155 M12                       |  | Change No. C119057-26   |  |
| Dimensions in mm         |  |                              |  | QSY 155 M12                       |  | Phase Serie   |  |
|                          |  |                              |  | Anschlussmaße / Mating Dimensions |  | Tolerances as per ISO 8015  |  |
|                          |  |                              |  |                                   |  | General Tolerances ISO 2768-1/2001-mH ±0.2  |  |
|                          |  |                              |  |                                   |  | The reproduction, distribution and utilization of this document as well as the communication of its contents to others without express authorization is prohibited. Offenders will be held liable for the payment of damages. All rights reserved in the event of the grant of a patent, utility model or design. (ISO 18015) |  |
| HEIDENHAIN               |  | DR. JOHANNES HEIDENHAIN GmbH |  | Released                          |  | Version   Revision   Sheet   Page   |  |
| 83301 Traunreut, Germany |  |                              |  | 09.12.2022                        |  | D1378139-00 - F-01  |  |
|                          |  |                              |  |                                   |  | 1 of 1  |  |