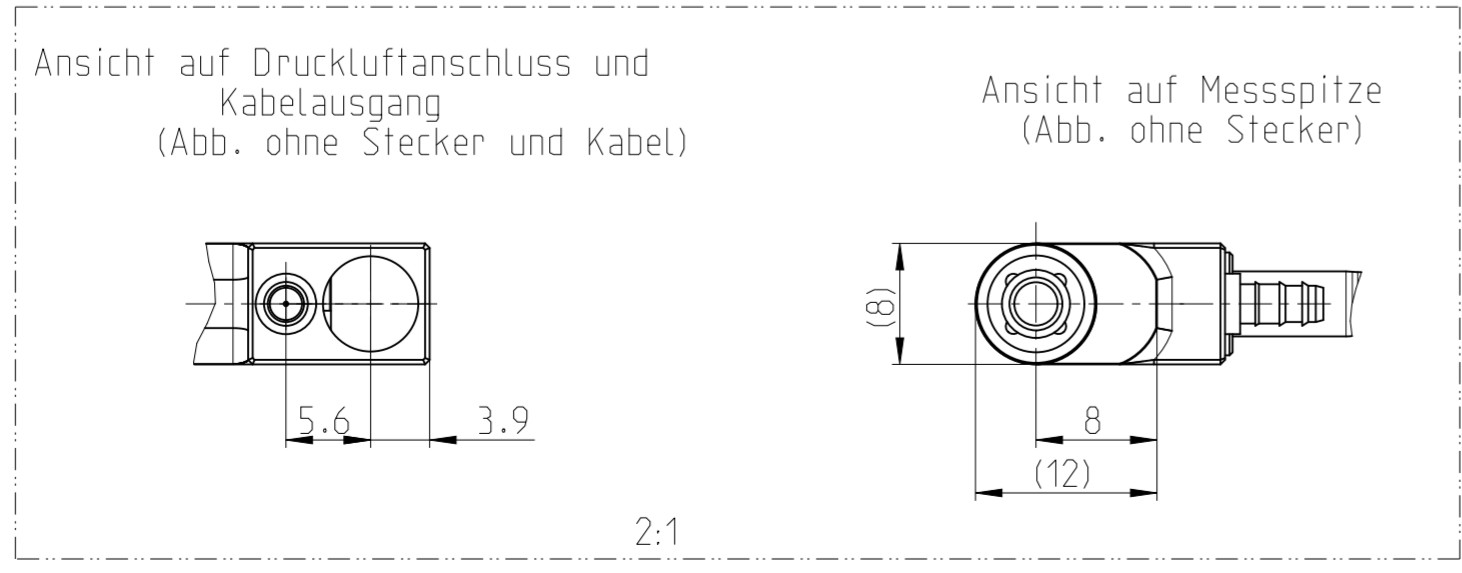
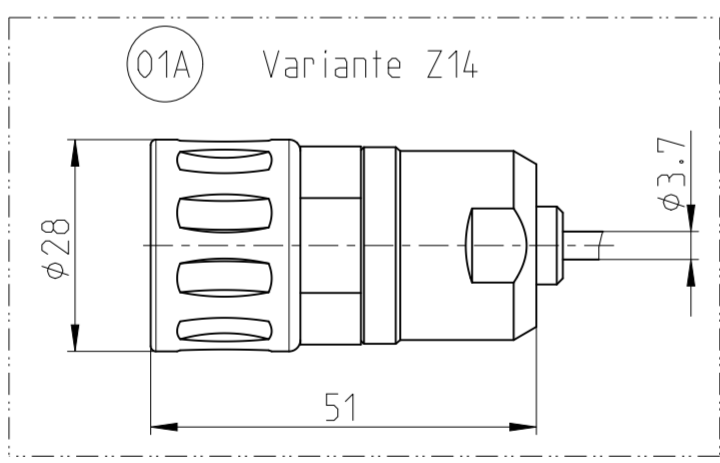
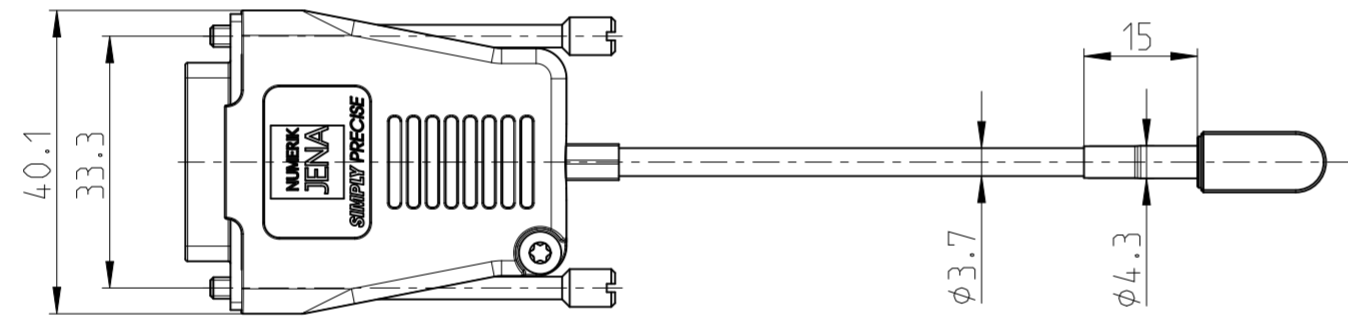
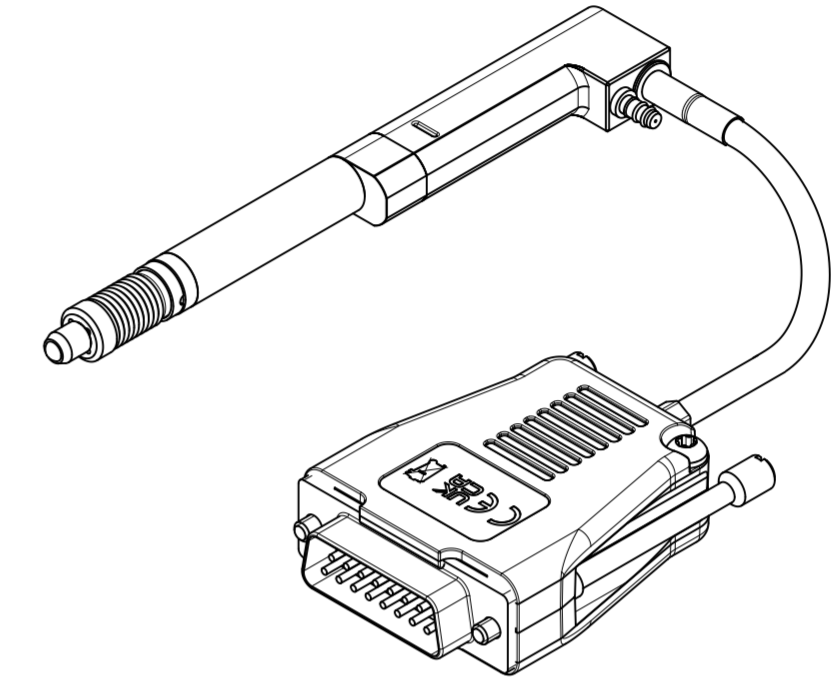
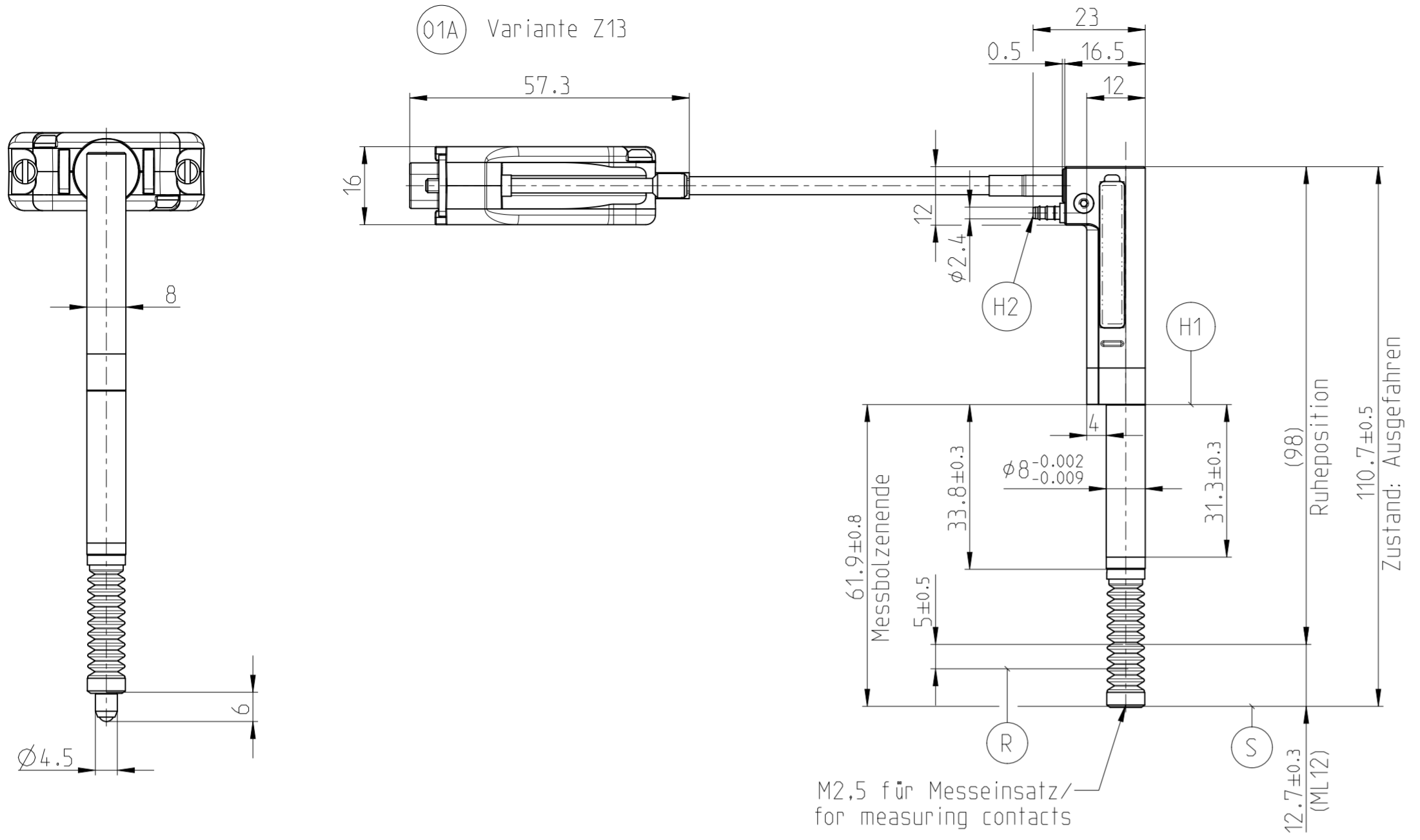


10	11	12
Stecker	Typ	ID-Nr.
Sub-D (Z13)	Specto 12X7R	1338450
Sub-D (Z13)	Specto 12X7R	1371496
Sub-D (Z13)	Metro 12X7R	1371612
Sub-D (Z13)	Metro 12X7R	1371613
Rundstecker M23 (Z14)	Specto 12X7R	1453709
Rundstecker M23 (Z14)	Metro 12X7R	1453720



- (H1) =Klemmbereich / clamping area
- (H2) =Luftanschluss für 2mm Schlauch / air connection 2mm tube
- (R) =Referenzmarken-Lage / referencemark position
- (S) =Beginn der Messlänge ML / beginning of measuring length ML

Original drawing		ST/MT 12X7 R MI 1217 radial Anschlussmaße / Mating Dimensions		Change No.	C179777-05
Scale				Phase:	Serie
Dimensions in mm	1:1	A2	General Tolerances ISO 2768:1989-mK ≤ 6mm:±0.2		
The reproduction, distribution and utilization of this document as well as the communication of its contents to others without express authorization is prohibited. Offenders will be held liable for the payment of damages. All rights reserved in the event of the grant of a patent, utility model or design. (ISO 16016)				Released	28.05.2025
NUMERIK JENA GmbH Im Semmicht 4 07751 Jena		Version	Revision	Sheet	Page
		D1338450-01-A-01		1	1
		Document number			