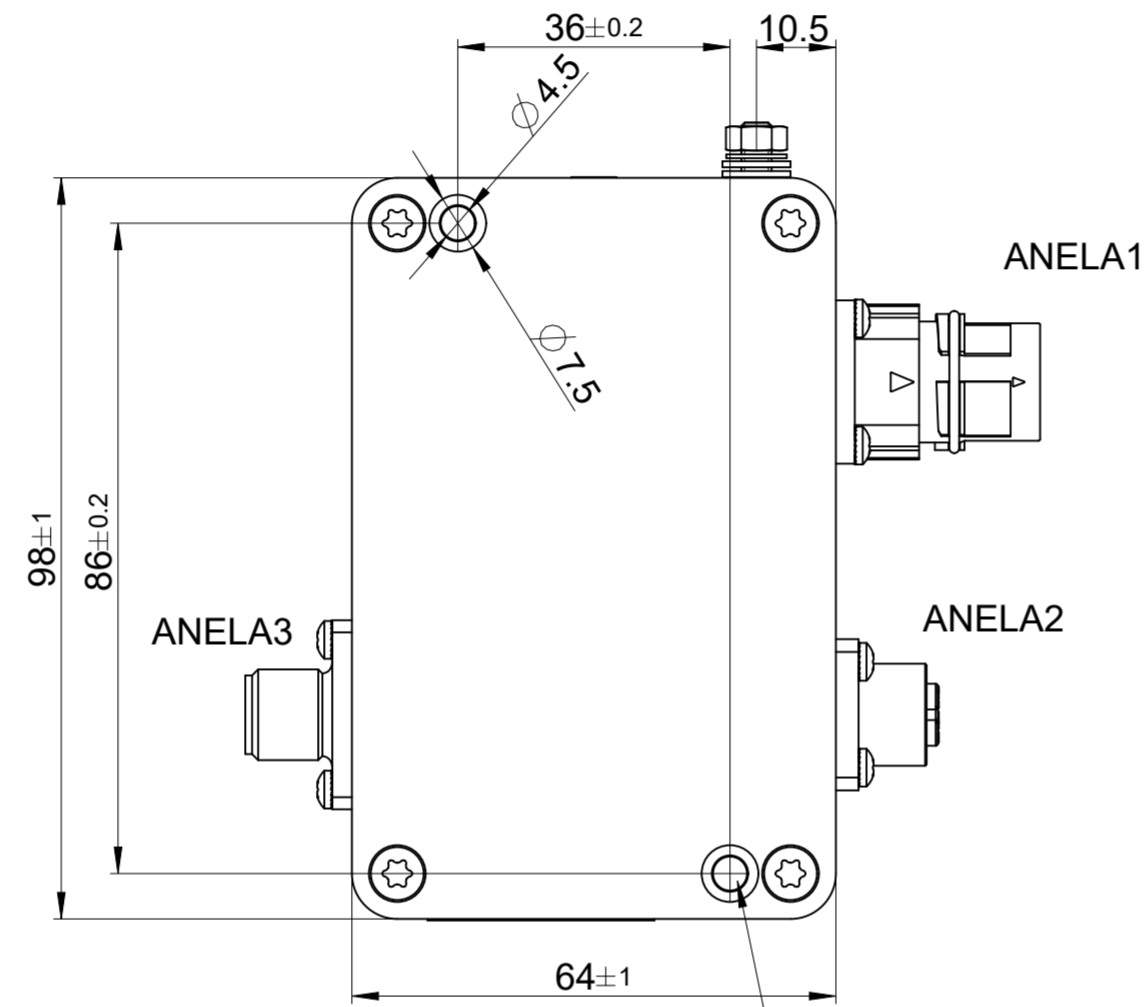
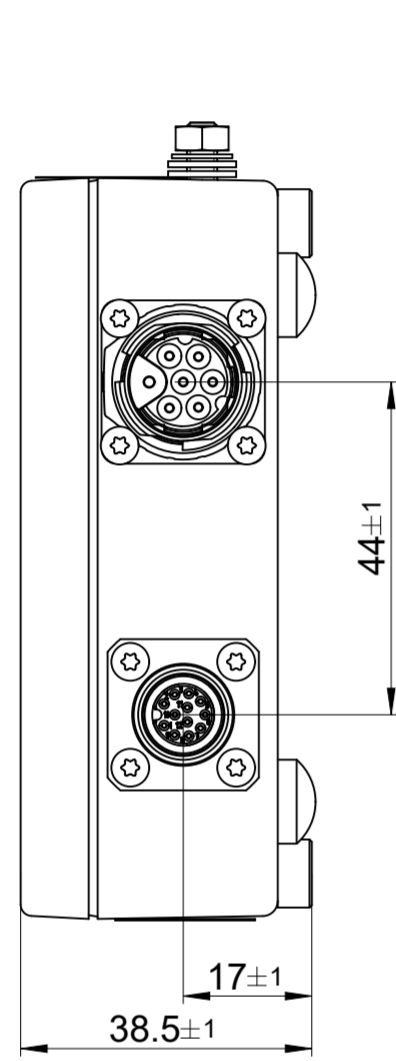
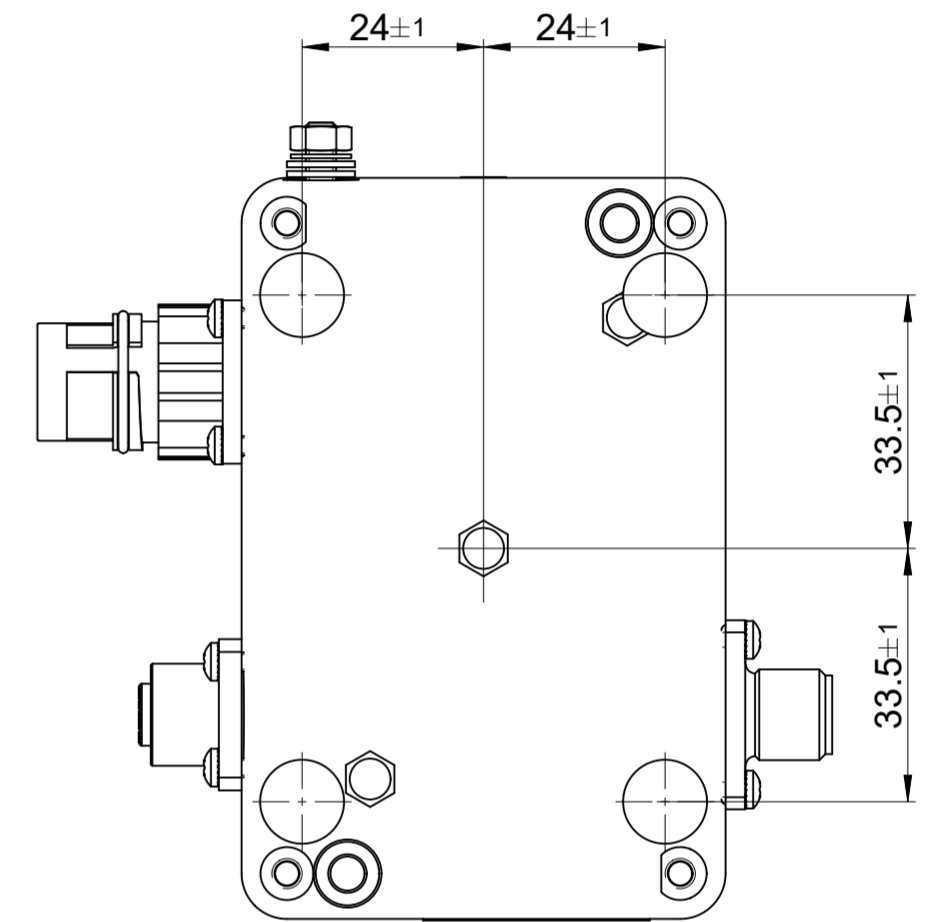
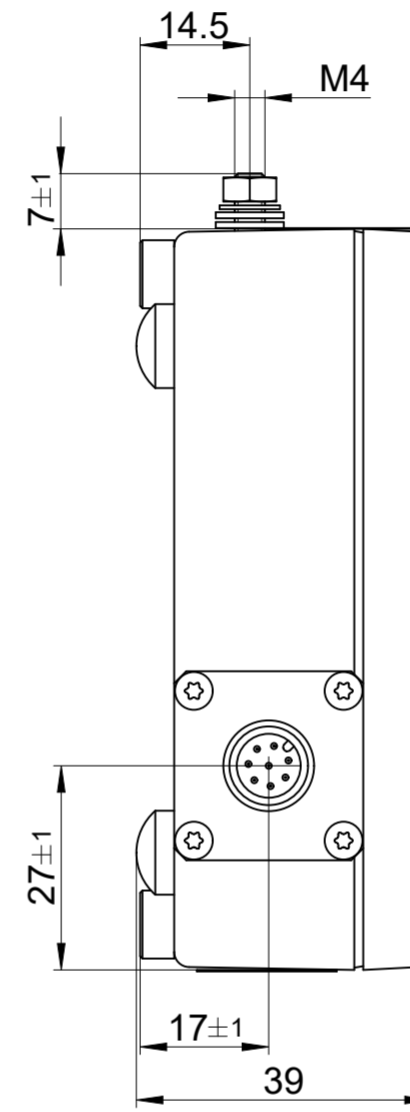


EIB 5291S
EIB 5291F



2 Befestigungsschrauben
2 fixing screws
M4x16 DIN 912/ ISO 4762



| Name | ID | ANELA1 | ANELA2 | ANELA3 | ANELA5 |
|-----------|------------|--------|--------|--------|--------|
| EIB 5291F | 1391450-xx | A7S07 | 5XB12 | 5XS008 | .. |
| EIB 5291S | 1334716-xx | A7S07 | 5XB12 | 5XS008 | .. |

| | | | | | |
|---|--|-----------------------------------|--|--|--|
| Original drawing | | EIB 5291S/F | | ID number: | |
| Scale | | EIB 5291S/F | | Change No. C156155-05 | |
| Format | | Anschlussmaße / Mating Dimensions | | Phase: Serie | |
| Dimensions in mm | | 1:1 A2 | | Tolerances as per ISO 8015 | |
| | | | | General Tolerances ISO 2768:1989-mH ±0.2 | |
| The reproduction, distribution and utilization of this document as well as the communication of its contents to others without express authorization is prohibited. Offenders will be held liable for the payment of damages. All rights reserved in the event of the grant of a patent, utility model or design. (ISO 16016) | | | | | |
| Released | | Version | | Revision | |
| 12.06.2023 | | D1334716-03 - A-02 | | Sheet 1 of 1 | |
| DR. JOHANNES HEIDENHAIN GmbH | | 83301 Traunreut, Germany | | Document number | |