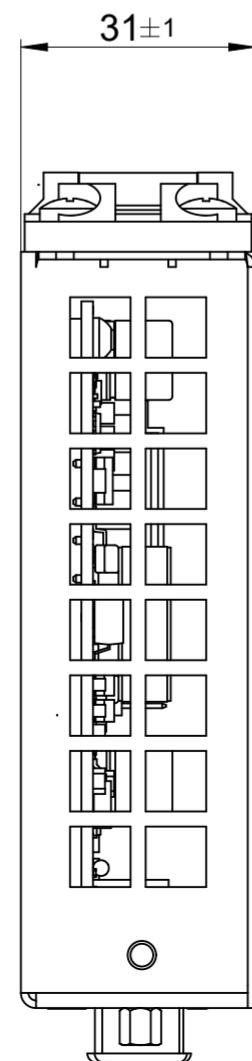
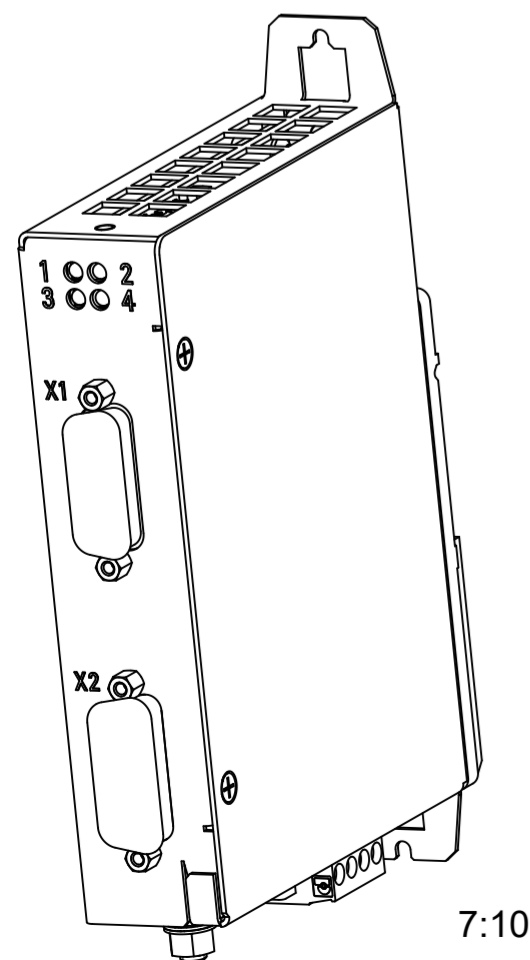
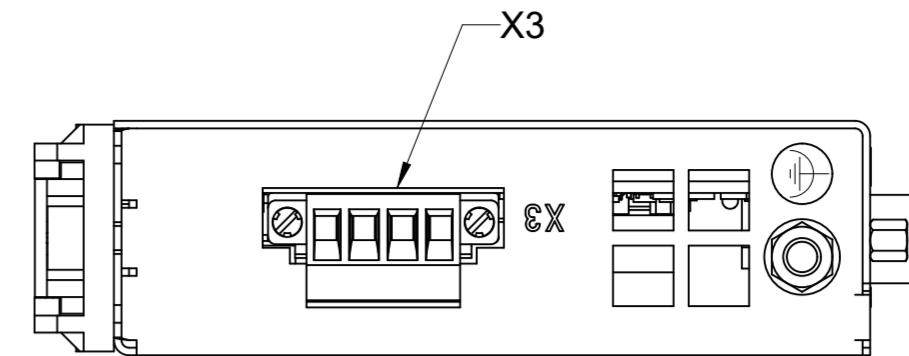
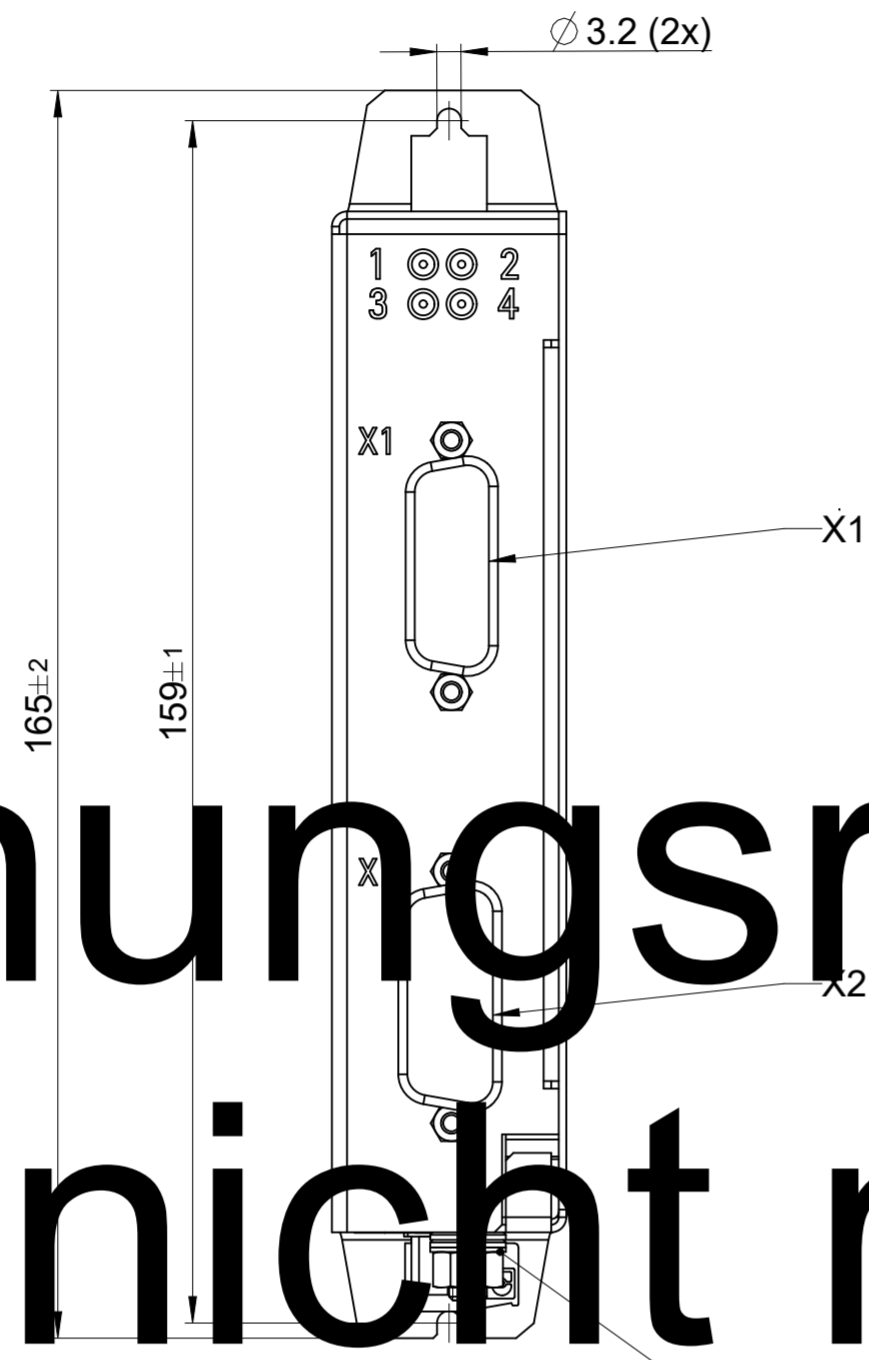


Zeichungsrahmen veraltet. Bitte nicht mehr verwenden.



Hinweis für Hutschienenmontage: / mounting hint for DIN rail:
 Empfohlen werden Hutschienen mit einer Tiefe $\geq 15\text{mm}$
 Empfehlung: EN 50022 35mm x 15mm
 DIN rails with a minimum thickness of 15mm are recommended
 Recommendation: EN 50022 35mm x 15mm

| Stecker Connector | Funktion Function |
|-------------------|---|
| X1 | Messgeräte-Eingang $1V_{SS}$, EnDat, Encoder Input $1V_{pp}$, EnDat |
| X2 | Messgeräte-Ausgang $1V_{SS}$, EnDat, Encoder Output $1V_{pp}$, EnDat |
| X3 | Spannungsversorgung 24V DC SELV/PELV Power supply 24V DC SELV/PELV |

| | | | | |
|---|-----|-----------------------------------|-----------------------------------|---|
| Original drawing | | EPM xxx30 | | ID number: 1299350-01 |
| Scale | | EPM xxx30 | | Change No. C095908-30 |
| Format | | Anschlussmaße / Mating Dimensions | | Phase: Serie |
| Dimensions in mm | 1:1 | A2 | | Tolerierung nach DIN ISO 8015 Tolerances as per DIN ISO 8015 |
| | | | | Allgemeintol. ISO 2768-mH ± 0.2 General tol. ISO 2768-mH ± 0.2 |
| The reproduction, distribution and utilization of this document as well as the communication of its contents to others without express authorization is prohibited. Offenders will be held liable for the payment of damages. All rights reserved in the event of the grant of a patent, utility model or design. (ISO 16016) | | | | |
| HEIDENHAIN DR. JOHANNES HEIDENHAIN GmbH 83301 Traunreut, Germany | | | Version Revision Sheet Page | D1299357-00 - B-01 1 of 1 |
| 02.08.2023 | | | Document number | |