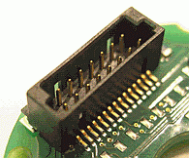
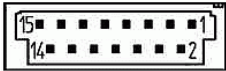
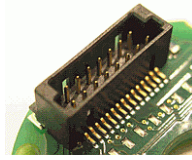
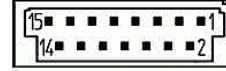


6b	Anschluss-Belegung
	Elektrischer Anschluss
	Geometrie Polbild (Steckseite)
JH	Firmenname
..	Ausgangssignal
..	Eingangssignal
E30-R2	Datenschnittstelle
..	Teilkreiszusatzspur
15 polig	Kundenseitige Steckerausführung
9	Serielle Schnittstelle P_SD+ / Versorgung +V(Up)
10	Serielle Schnittstelle P_SD- / Versorgung 0V(Un)
5	Zusätzliche Signale Temperatur +
6	Zusätzliche Signale Temperatur -
1; 2; 3; 4; 7; 8; 11; 12; 13; 14; 15	Freie Adern und Pins
0060	Ergänzungen

0060= Freie Adern und Pins dürfen nicht belegt werden!

6b	Pin configuration
	Electrical connection
	Geometry of pole pattern (plug side)
JH	company name
..	Output signal
..	Input signal
E30-R2	Data interface
..	Additional circular scale track
15-pin	Customer's connection version
9	Serial interface for P_SD+ / Supply +V (Up)
10	Serial interface for P_SD- / Supply 0V (Un)
5	Additional signals temperature +
6	Additional signals temperature -
1; 2; 3; 4; 7; 8; 11; 12; 13; 14; 15	Free wires and pins
0060	Additions

0060= Vacant wires or pins must not be used!

Connection layout 6b 5PS15 .. E30-R2 JH				Pin Layout		Change No. C087027-32	
The reproduction, distribution and utilization of this document as well as the communication of its contents to others without express authorization is prohibited. Offenders will be held liable for the payment of damages. All rights reserved in the event of the grant of a patent, utility model or design. (ISO 16016)							
HEIDENHAIN		Serie	Version	Revision	Sheet	Page	
DR. JOHANNES HEIDENHAIN GmbH		D1276589 - 00 - A - 01				1/1	
83301 Traunreut, Germany		Document No					