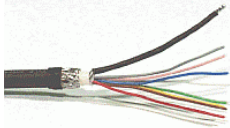
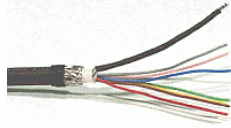


<b>8s</b>	<b>Anschluss-Belegung</b> <b>Elektrischer Anschluss</b>
	
..	<b>Geometrie Polbild (Steckseite)</b>
<b>JH</b>	<b>Firmenname</b>
..	<b>Ausgangssignal</b>
..	<b>Eingangssignal</b>
<b>E30-R2</b>	<b>Datenschnittstelle</b>
..	<b>Teilkreiszusatzspur</b>
Adern	Kundenseitige Steckerausführung
violett	Serielle Schnittstelle P_SD+ / Versorgung +V(Up)
gelb	Serielle Schnittstelle P_SD- / Versorgung 0V(Un)

<b>8s</b>	<b>Pin configuration</b> <b>Electrical connection</b>
	
..	<b>Geometry of pole pattern (plug side)</b>
<b>JH</b>	<b>company name</b>
..	<b>Output signal</b>
..	<b>Input signal</b>
<b>E30-R2</b>	<b>Data interface</b>
..	<b>Additional circular scale track</b>
Wire	Customer's connection version
violet	Serial interface for P_SD+ / Supply +V (Up)
yellow	Serial interface for P_SD- / Supply 0V (Un)

Connection layout 8s 01 .. E30-R2 .. ..				Pin Layout		Release No: C087027-02	
The reproduction, distribution and utilization of this document as well as the communication of its contents to others without express authorization is prohibited. Offenders will be held liable for the payment of damages. All rights reserved in the event of the grant of a patent, utility model or design.							
<b>HEIDENHAIN</b> DR. JOHANNES HEIDENHAIN GmbH 83301 Traunreut, Germany				Version	Revision	Sheet	Page
				<b>D1275812 - 00 - A - 03</b>			1/1
Document No							