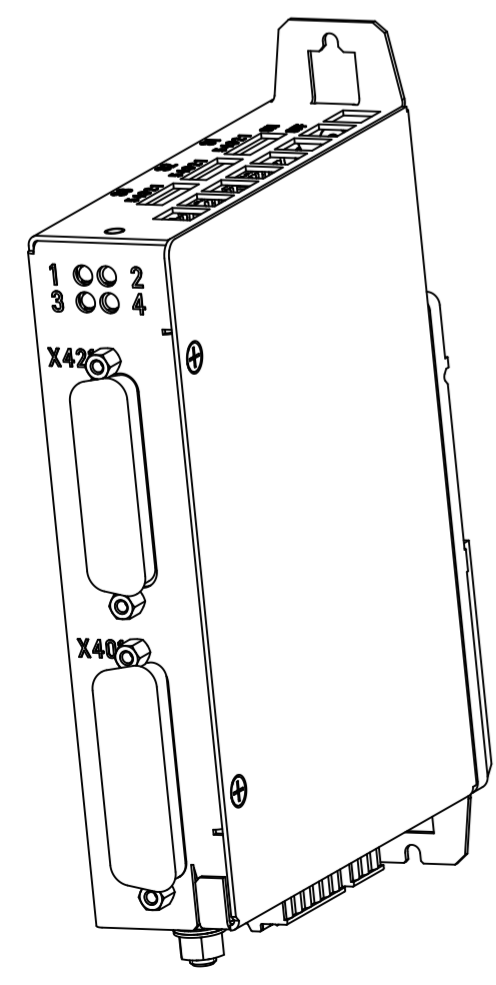
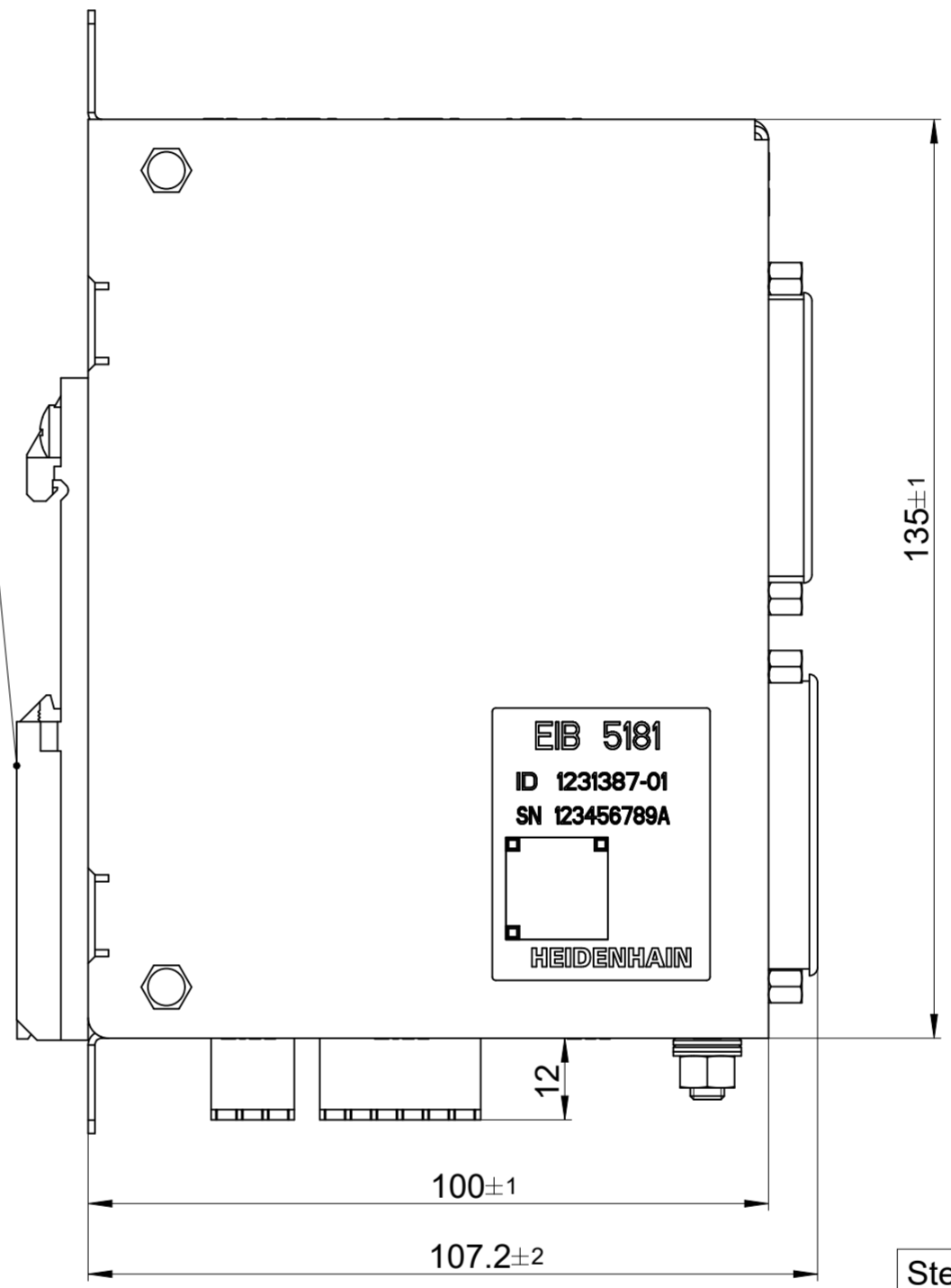
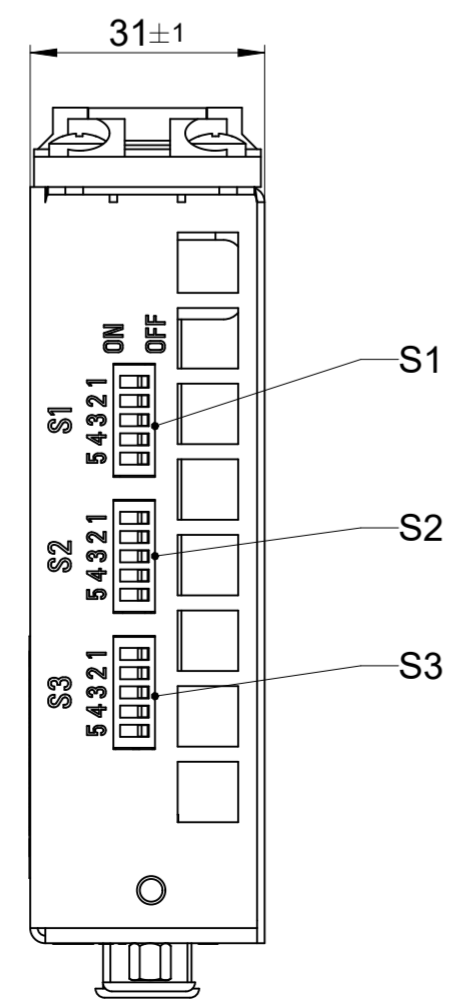


Adapter zur Befestigung  
Adapter for fixation



7:10



Hinweis für Hutschienenmontage: / mounting hint for DIN rail:  
Empfohlen werden Hutschienen mit einer Tiefe >= 15mm  
Empfehlung: EN 50022 35mm x 15mm  
DIN rails with a minimum thickness of 15mm are recommended  
Recommendation: EN 50022 35mm x 15mm

Stecker Connector	Funktion Function
X75	Reserviert, nicht verwenden Reserved, do not use
X108	Schirm Signalleitung Temperatursensoren Shield of signal cable temperature sensors
X136	Temperatursensoren - Eingänge Temperature sensors - Inputs
X401	Messgeräte-Eingang 1 V <sub>SS</sub> , EnDat Encoder Input 1 V <sub>SS</sub> , EnDat
X421	Messgeräte-Ausgang 1 V <sub>SS</sub> , EnDat, Temperatur Encoder Output 1 V <sub>SS</sub> , EnDat, Temperature

Original drawing		EIB 5181		ID number: 1231396-01
Scale		EIB 5181		Change No. C064362-45
Format		Anschlussmaße / Mating Dimensions		Phase: Serie
Dimensions in mm	1:1	A2		Tolerierung nach DIN ISO 8015
				Allgemeintol. ISO 2768-mH ±0.2 General tol. ISO 2768-mH ±0.2
The reproduction, distribution and utilization of this document as well as the communication of its contents to others without express authorization is prohibited. Offenders will be held liable for the payment of damages. All rights reserved in the event of the grant of a patent, utility model or design. (ISO 16016)				
<b>HEIDENHAIN</b> DR. JOHANNES HEIDENHAIN GmbH 83301 Traunreut, Germany			Version   Revision   Sheet   Page	1 of 1
			<b>D1268573-01-C-01</b> Document number	

896 200 A2

A  
B  
C  
D  
E  
F  
G  
H