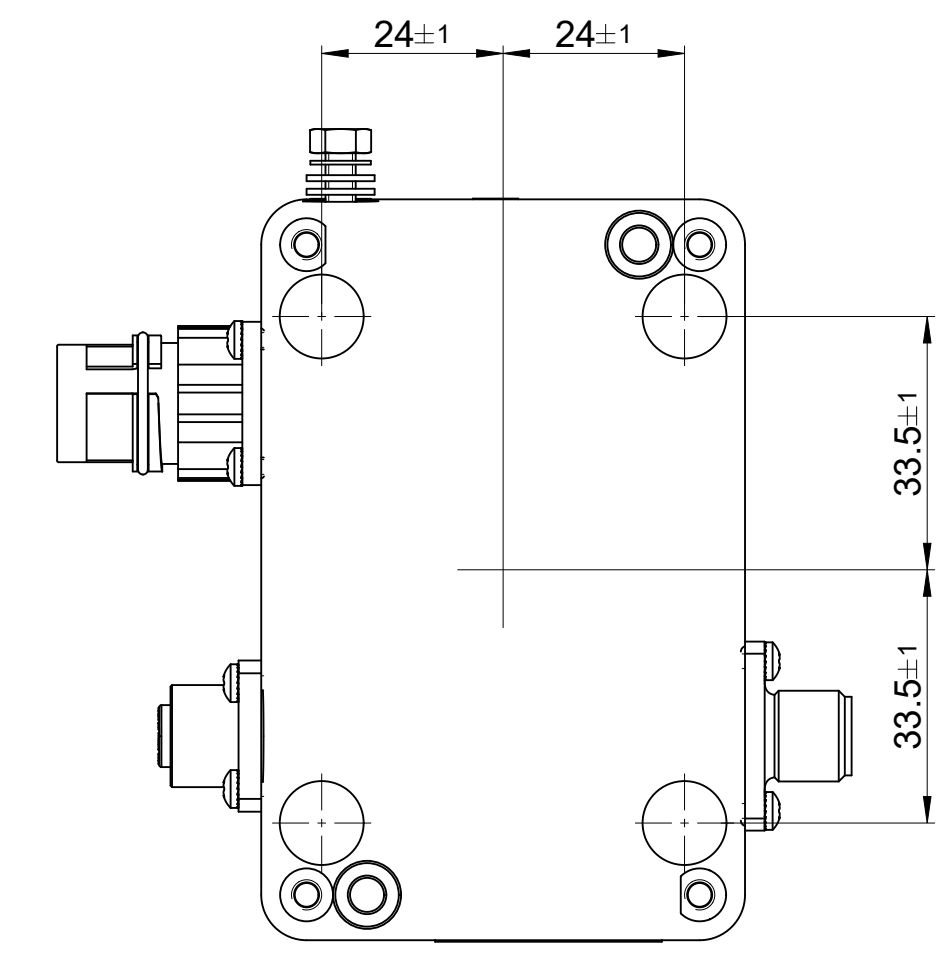
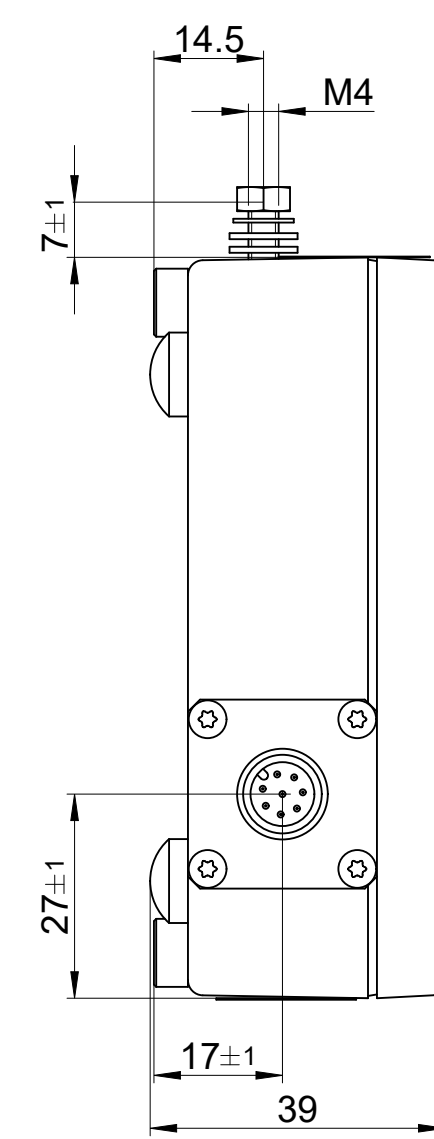
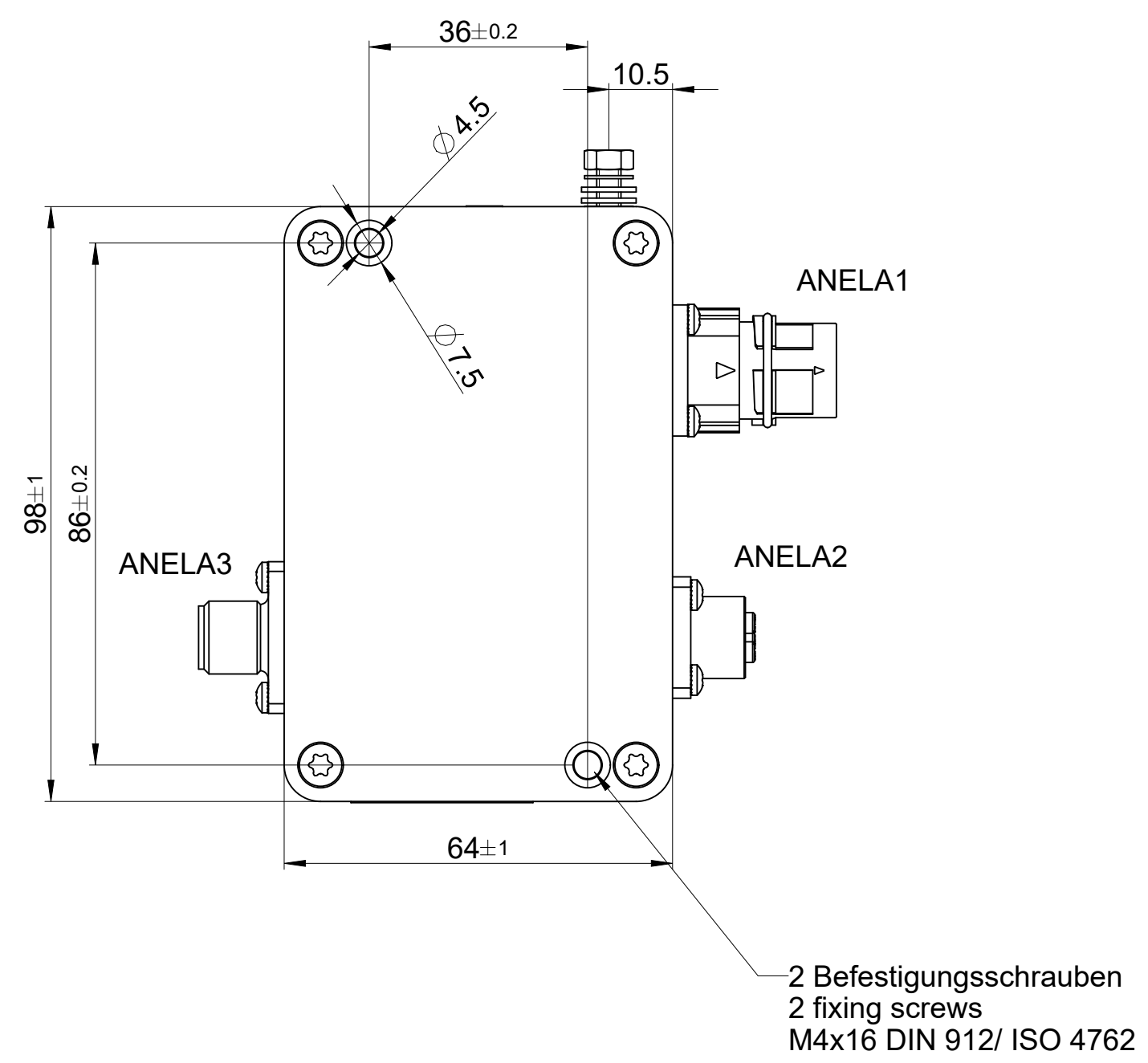
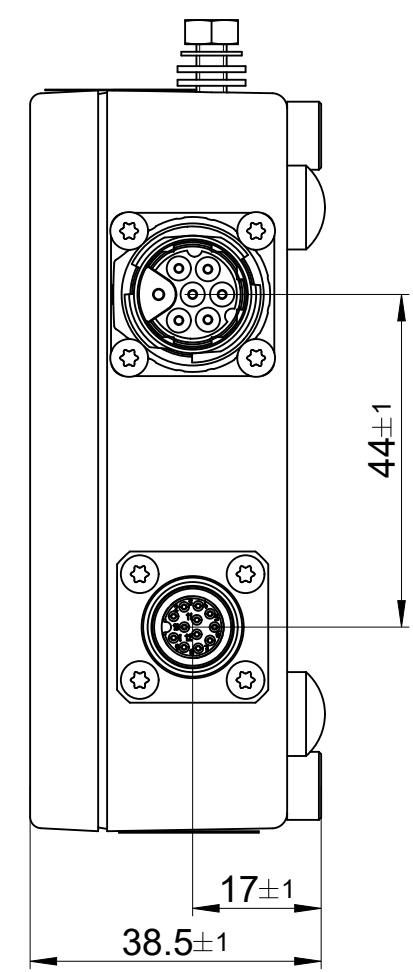
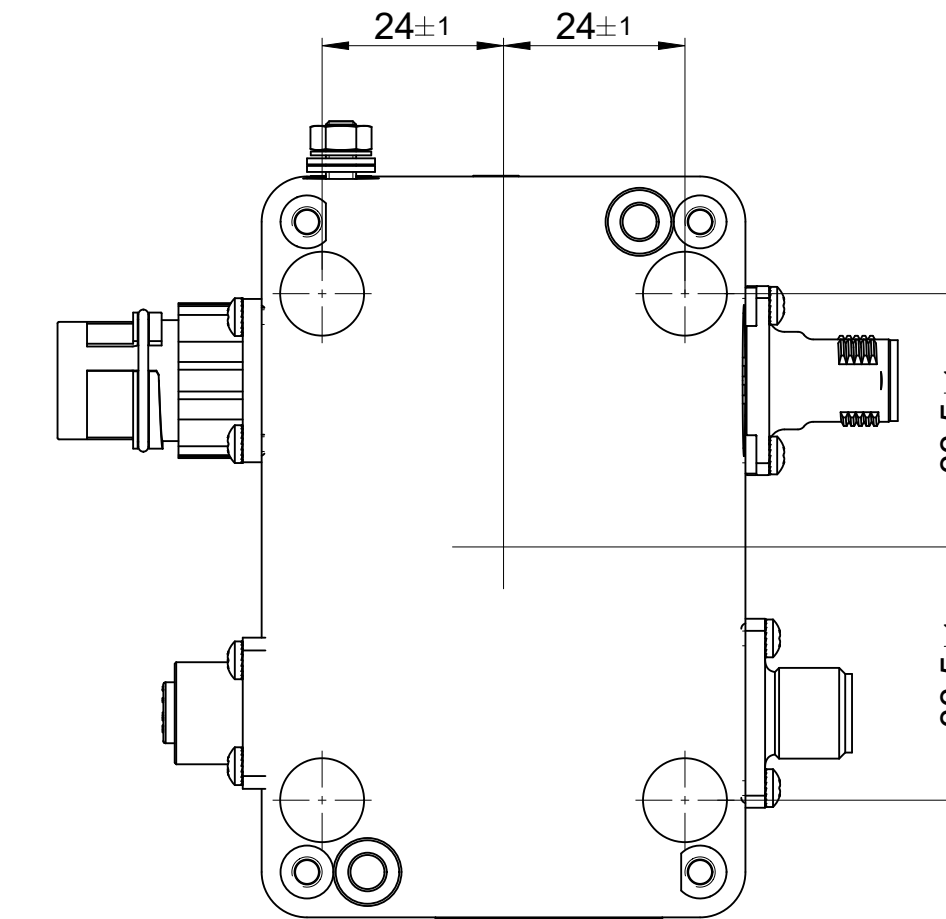
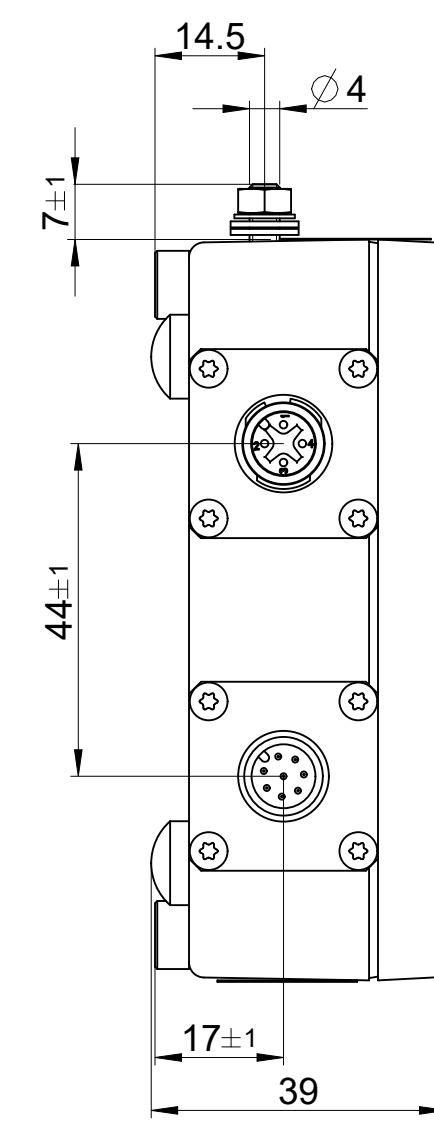
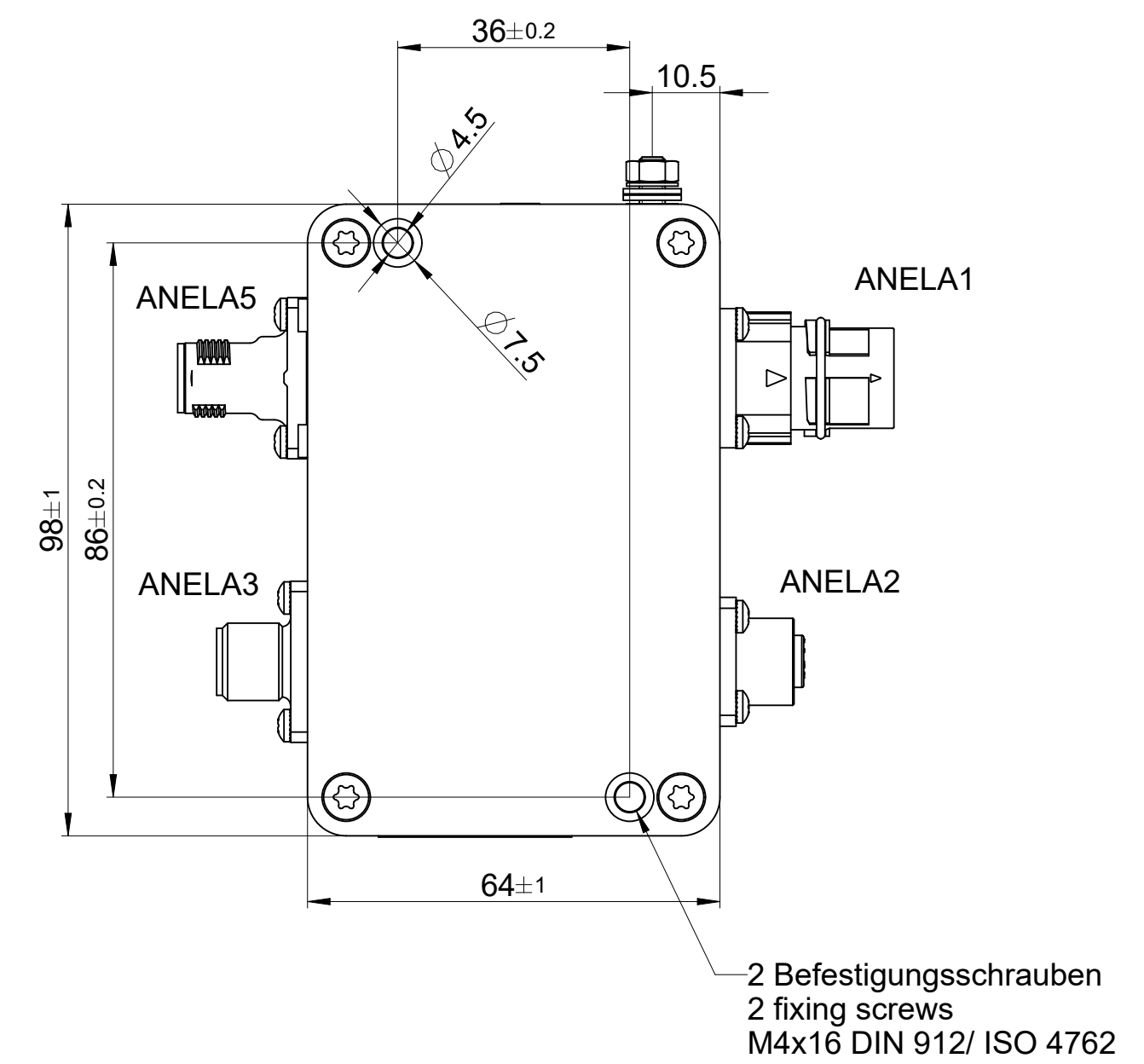
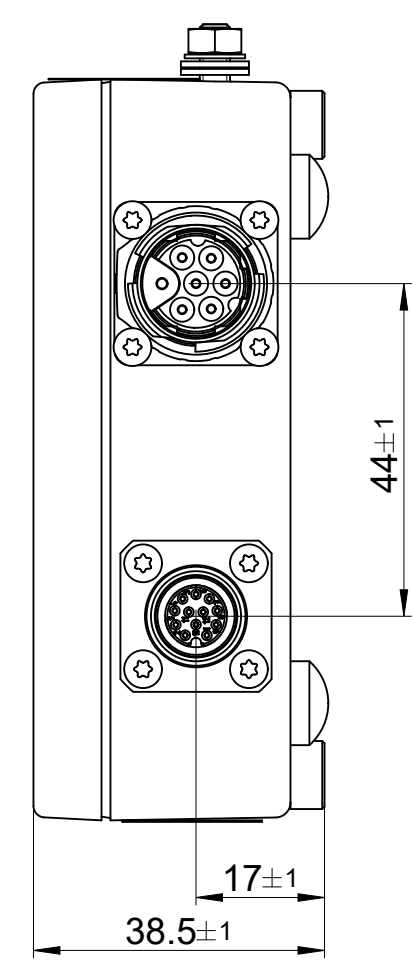


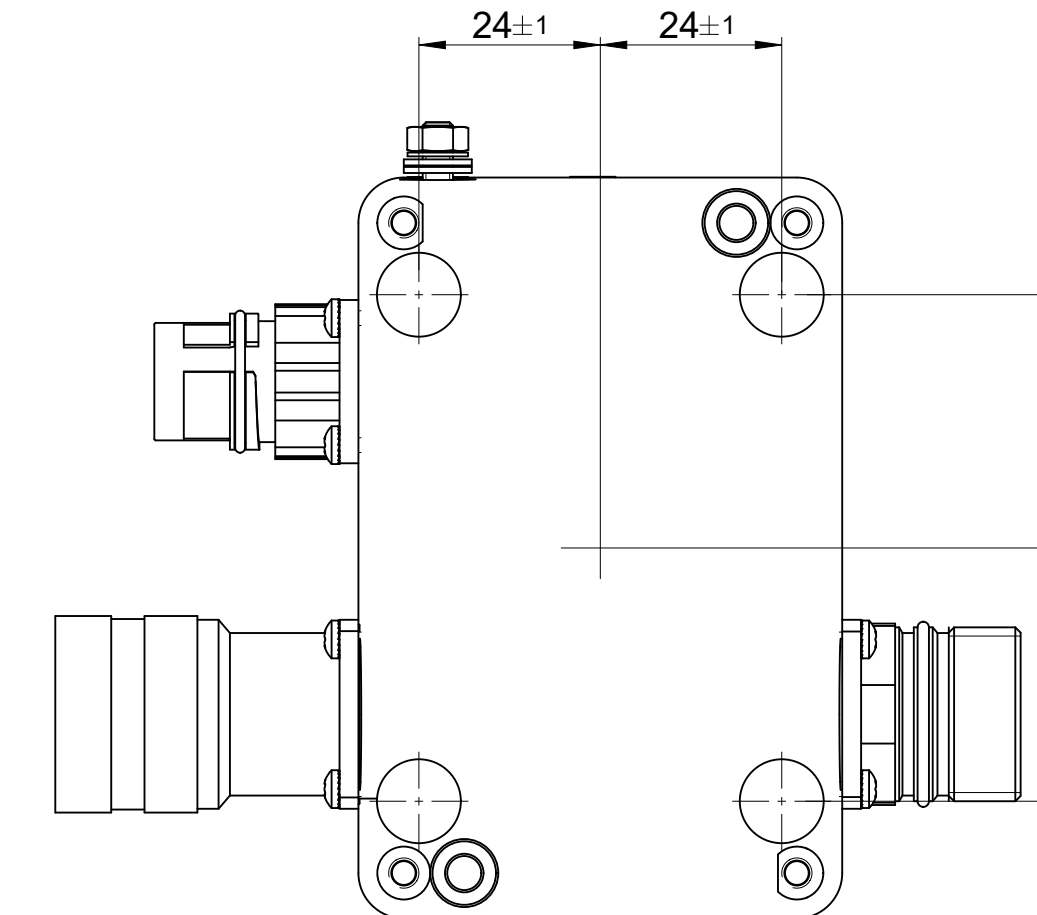
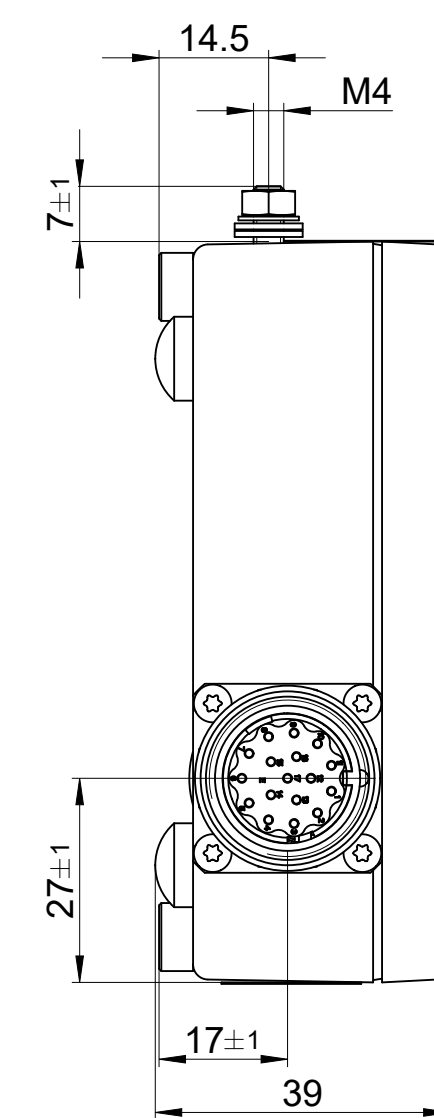
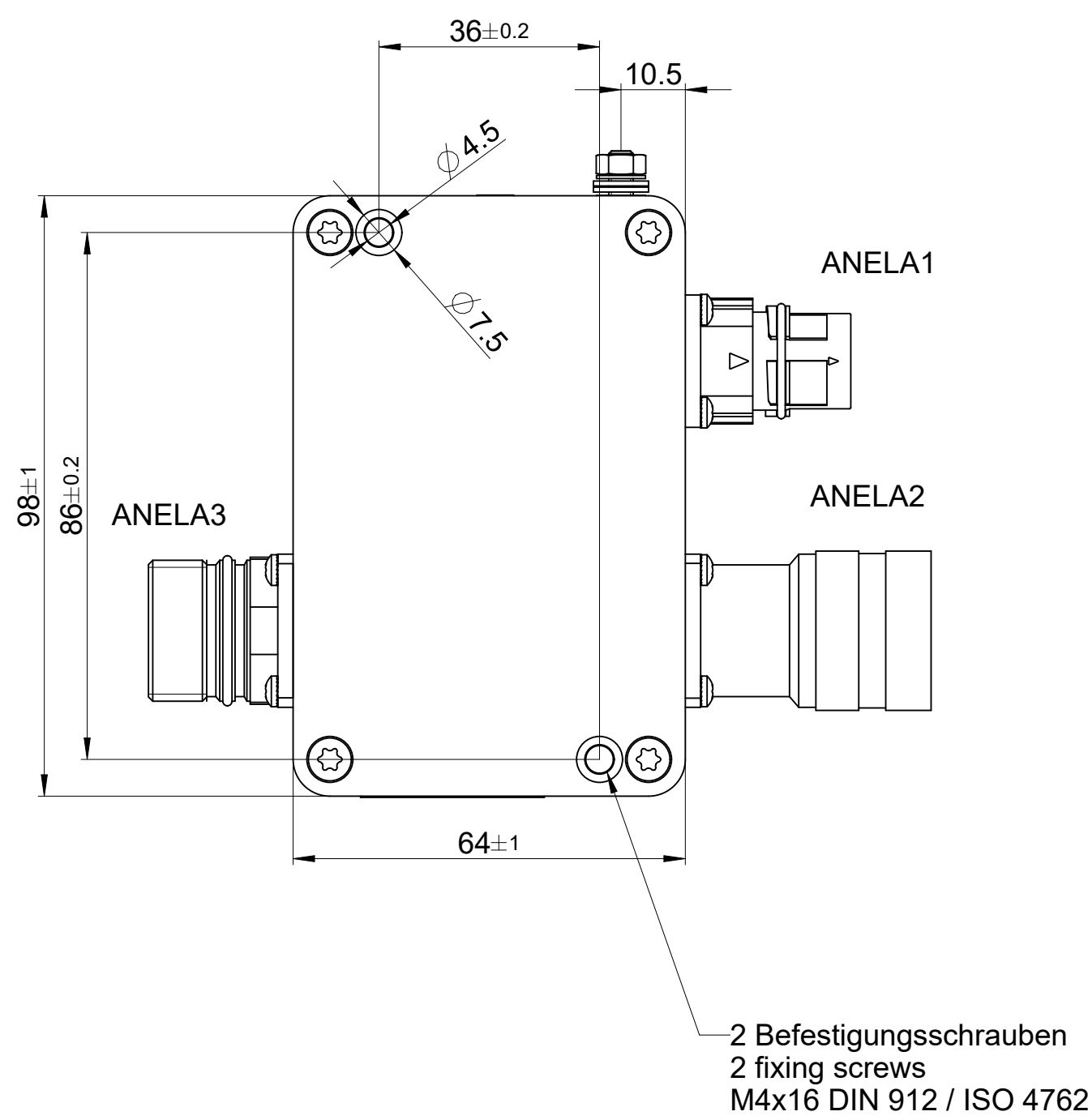
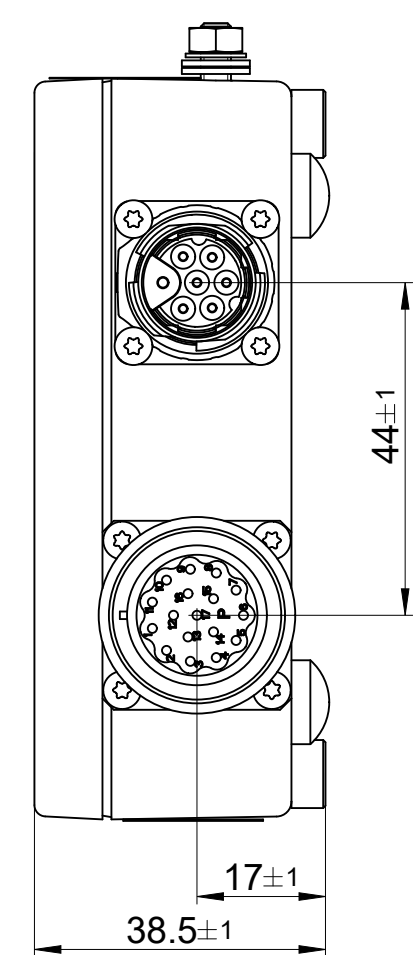
EIB 5211



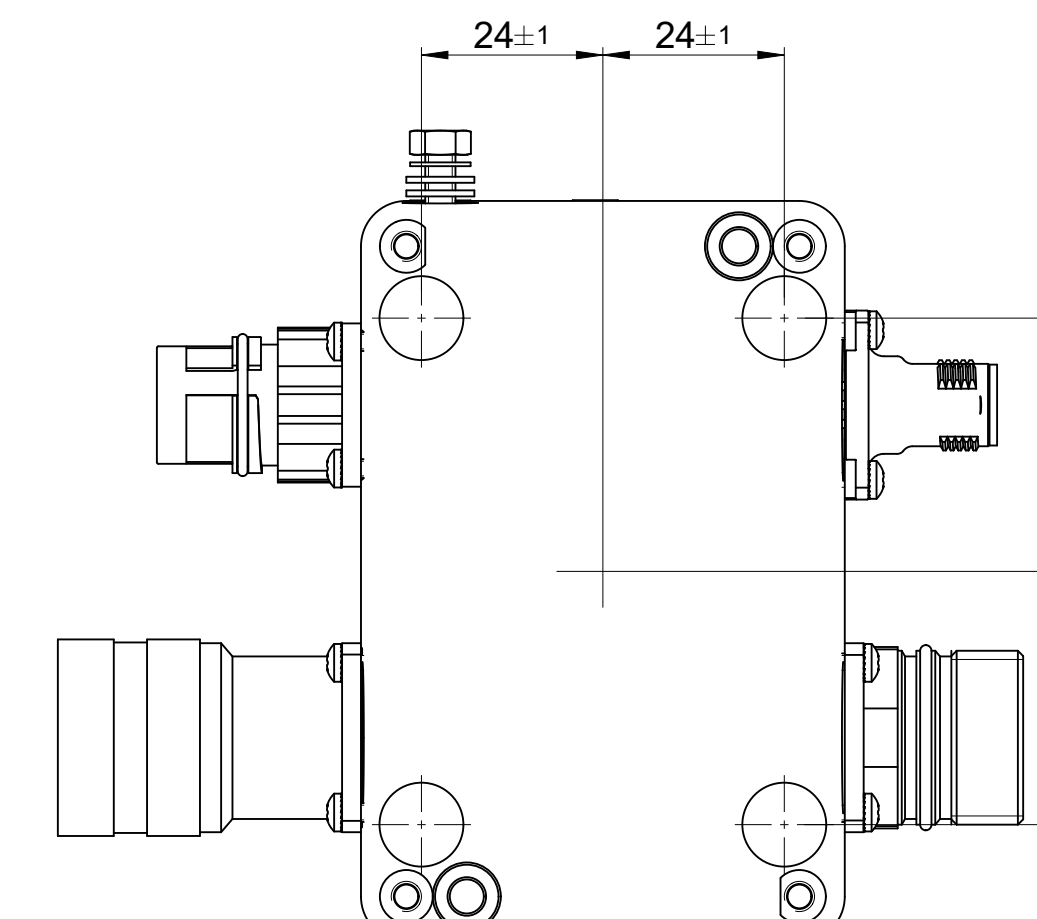
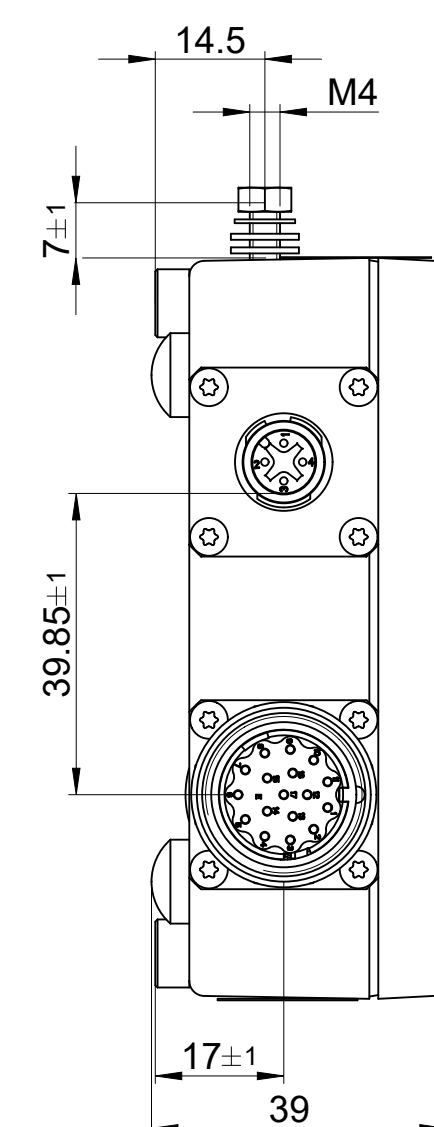
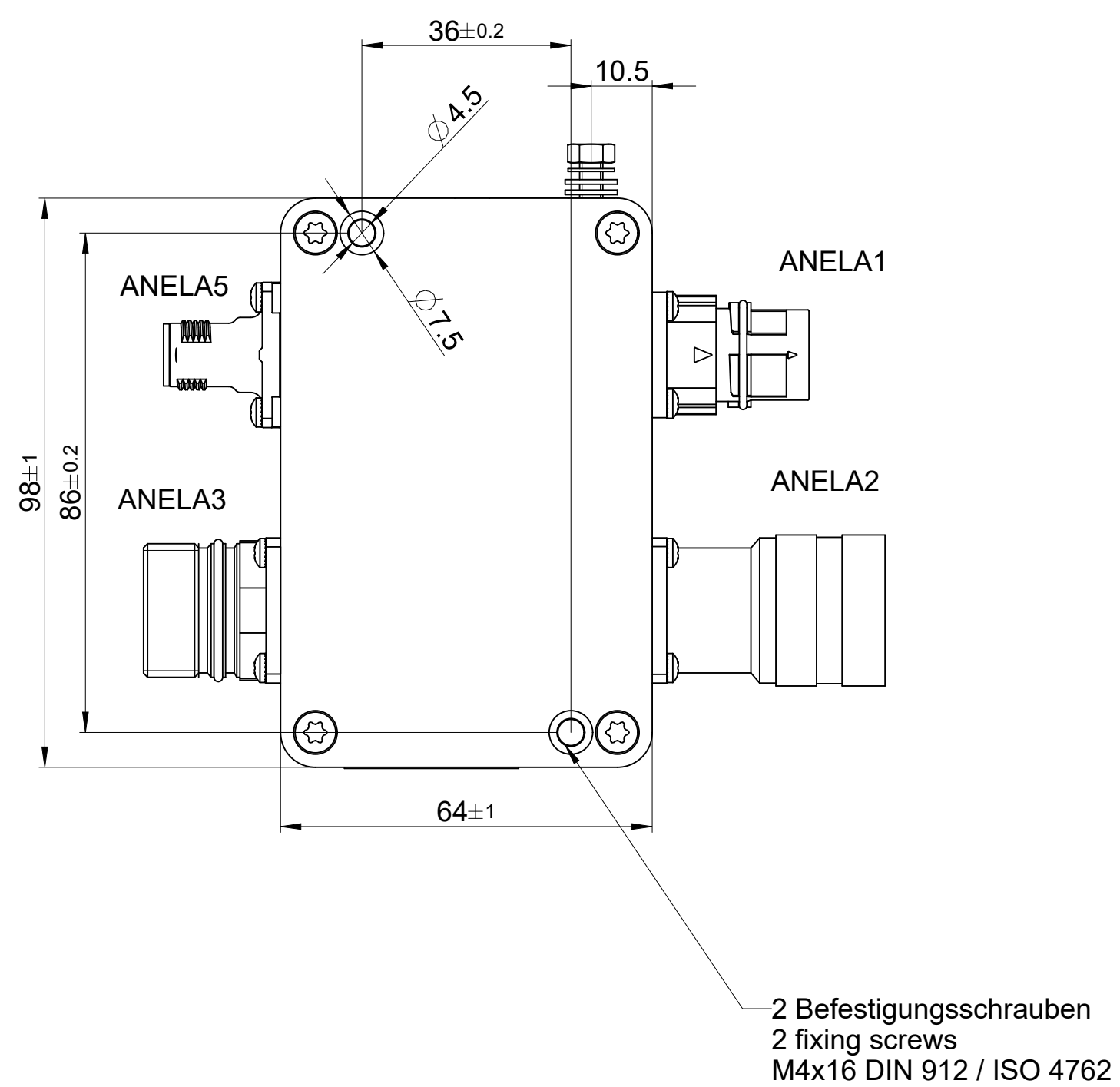
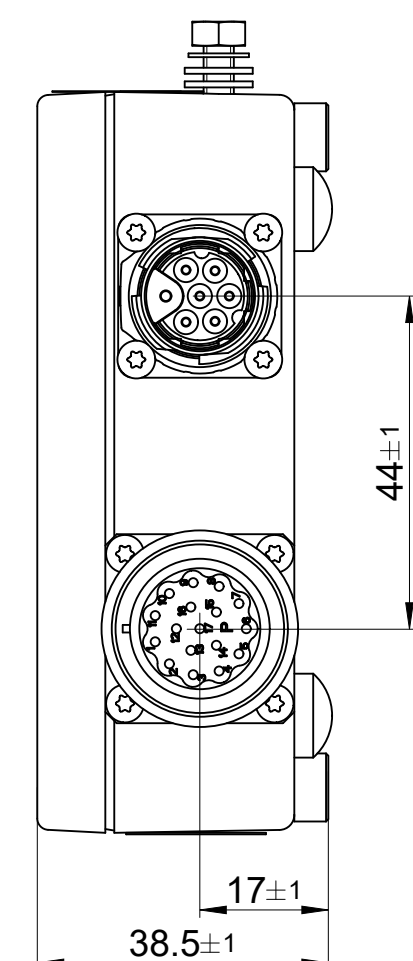
EIB 5212



EIB 5281



EIB 5282



Name	ID	ANELA1	ANELA2	ANELA3	ANELA5
EIB 5211	1296676-xx	A7S07	5XB12	5XS008	...
EIB 5212	1264480-xx	A7S07	5XB12	5XS008	5XS004
EIB 5281	1281777-xx	A7S07	1ZB017	27S017	...
EIB 5282	1296675-xx	A7S07	1ZB017	27S017	5XS004

Original drawing		EIB 52xx		ID number: C161991005
Scale: 1:1		EIB52xx		Change No. 001
Dimensions in mm		Anschlußmaße / Mounting Dimensions		Tolerances as per ISO 8015
1:1 A0		General Tolerances: ISO 2768-MS (m:0.1, s:0.15, H:0.1)		Released: 17.05.2023
The reproduction, distribution and utilization of this document as well as the communication of its contents to others without express authorization is prohibited. Offenders will be held liable for the payment of damages. All rights reserved in the event of the grant of a patent, utility model or design. (ISO 16016)		DR. JOHANNES HEIDENHAIN GmbH		Released: 17.05.2023
HEIDENHAIN		D1264480-01-A-01		Page 1 of 1