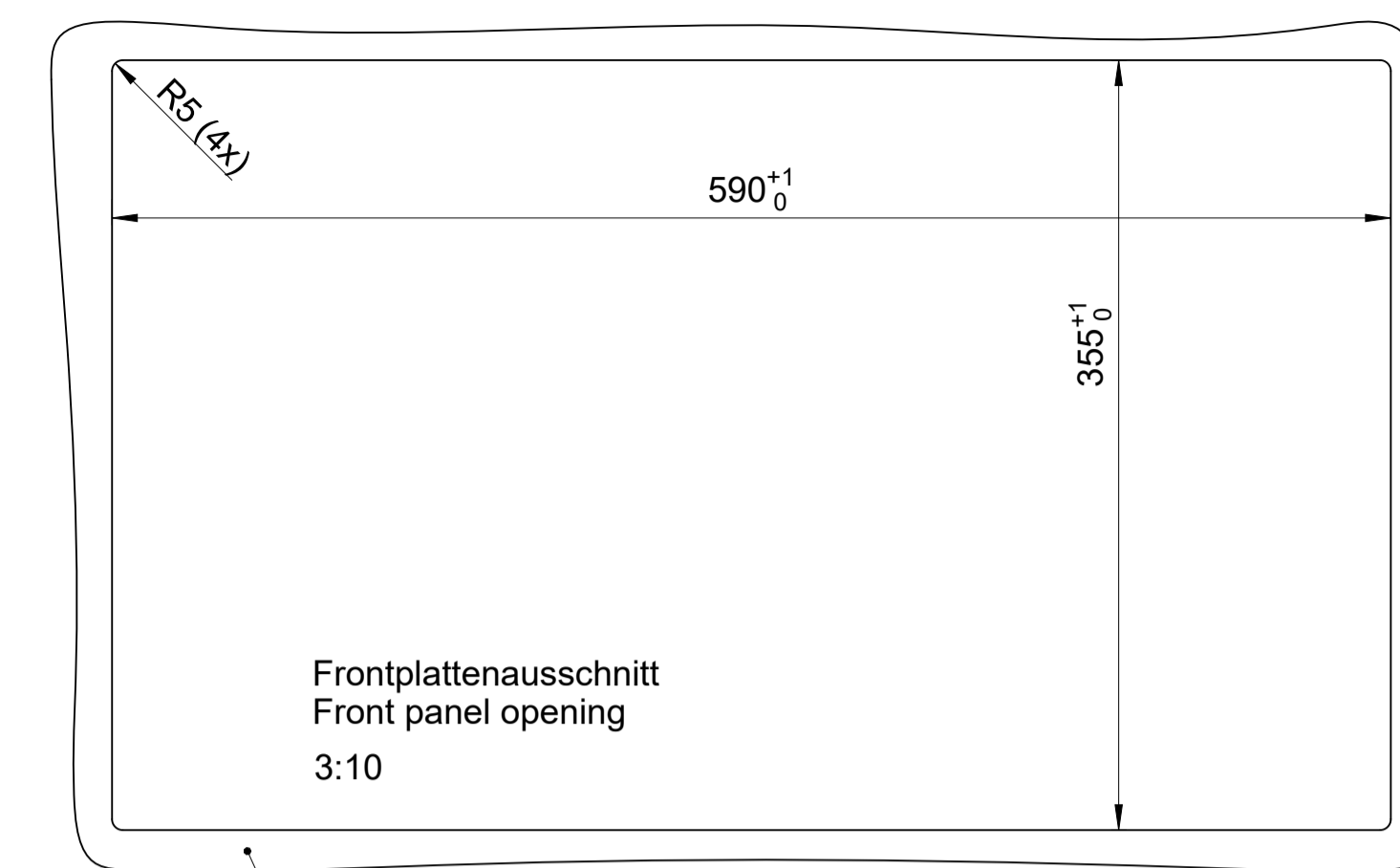
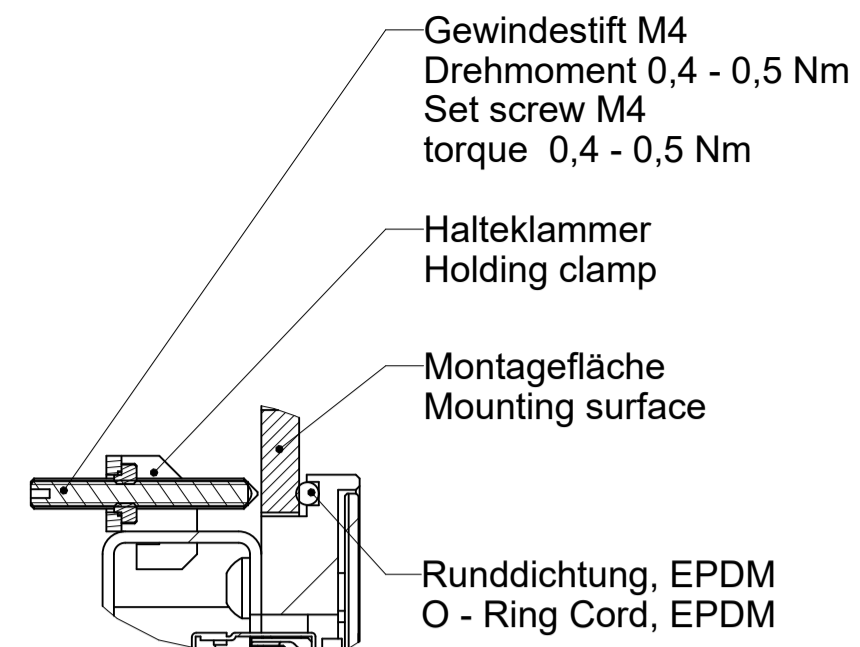
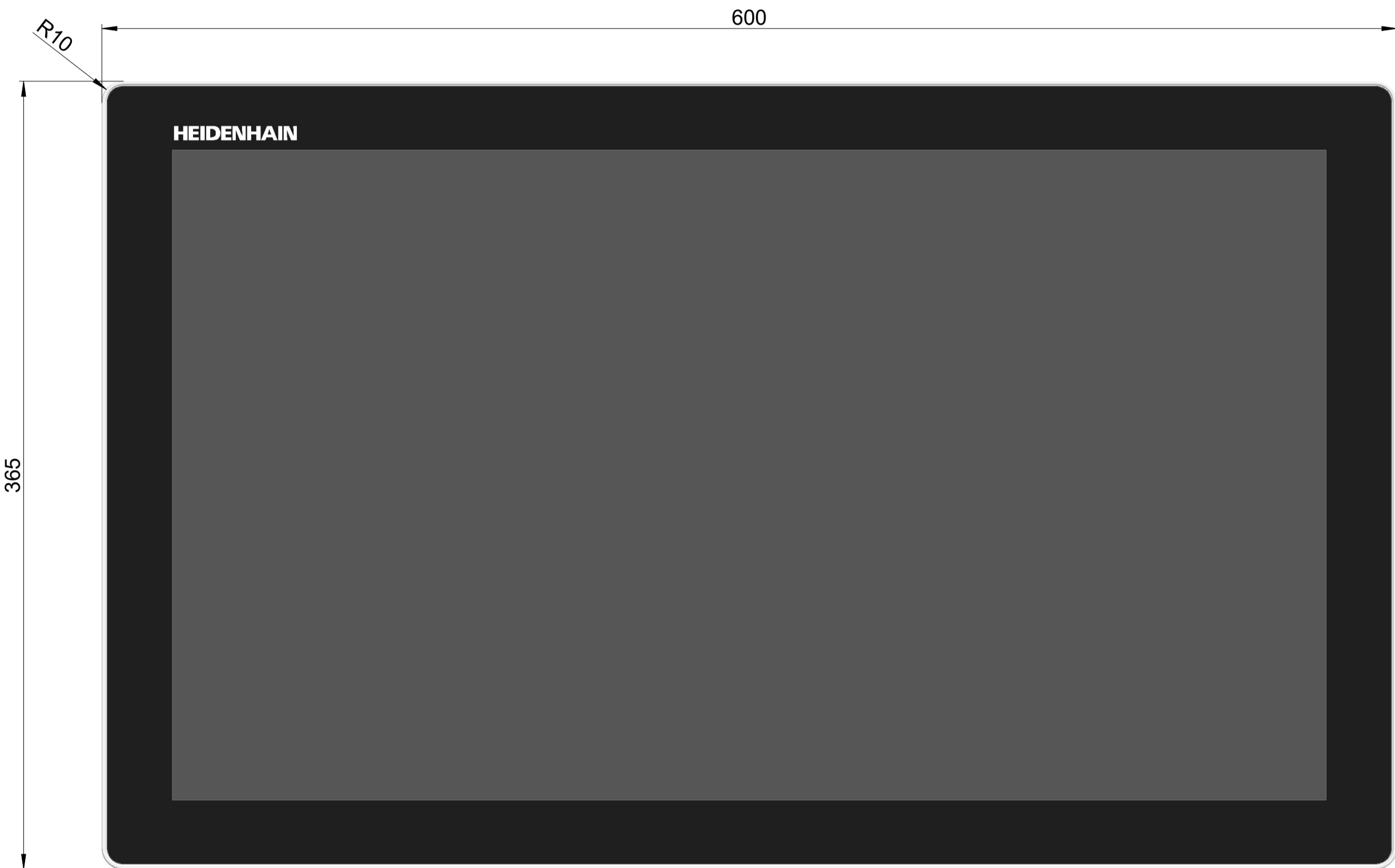
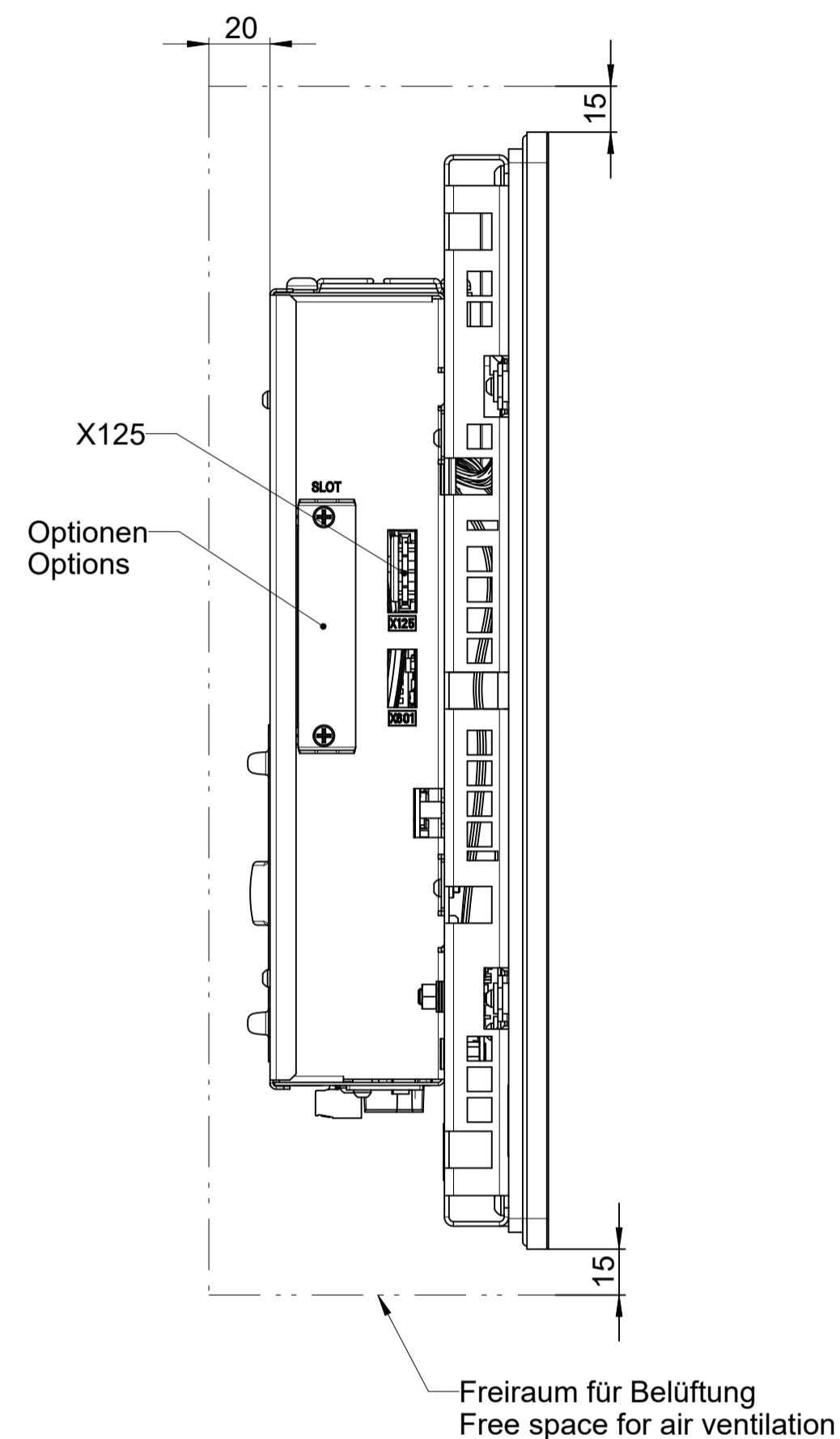


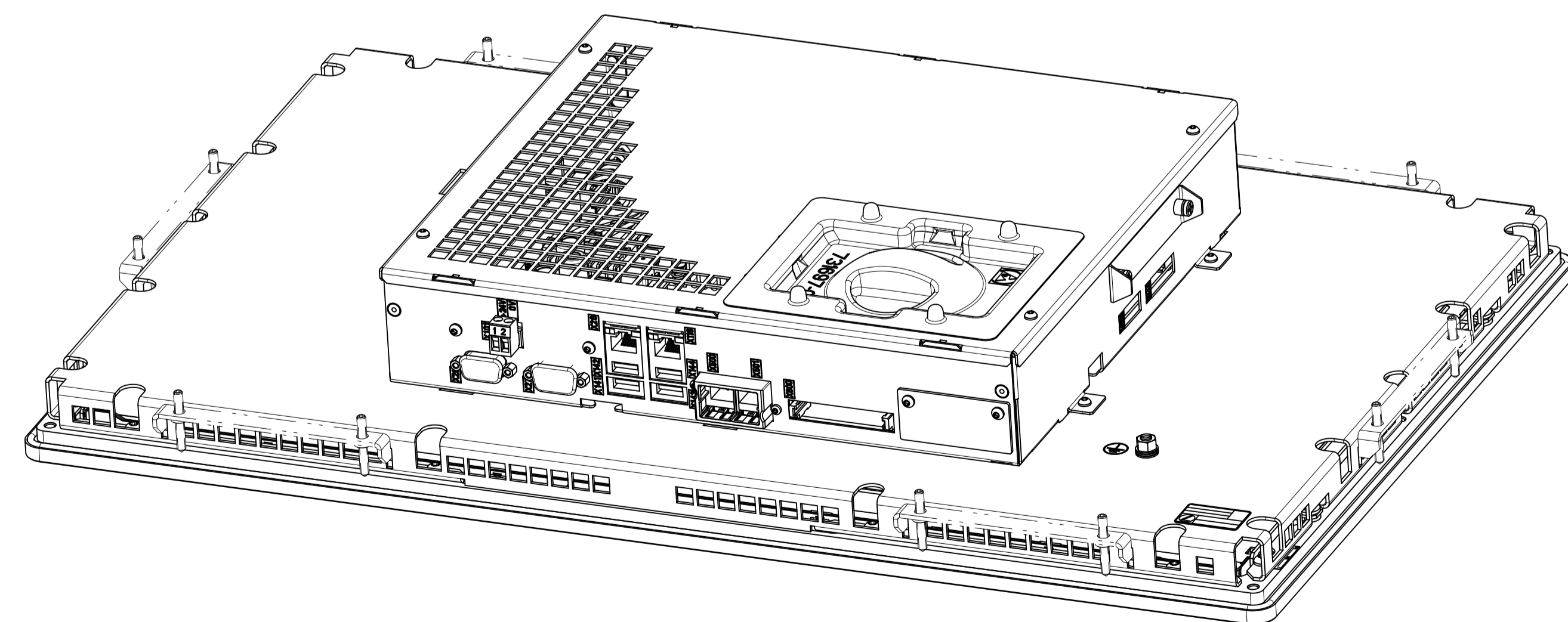
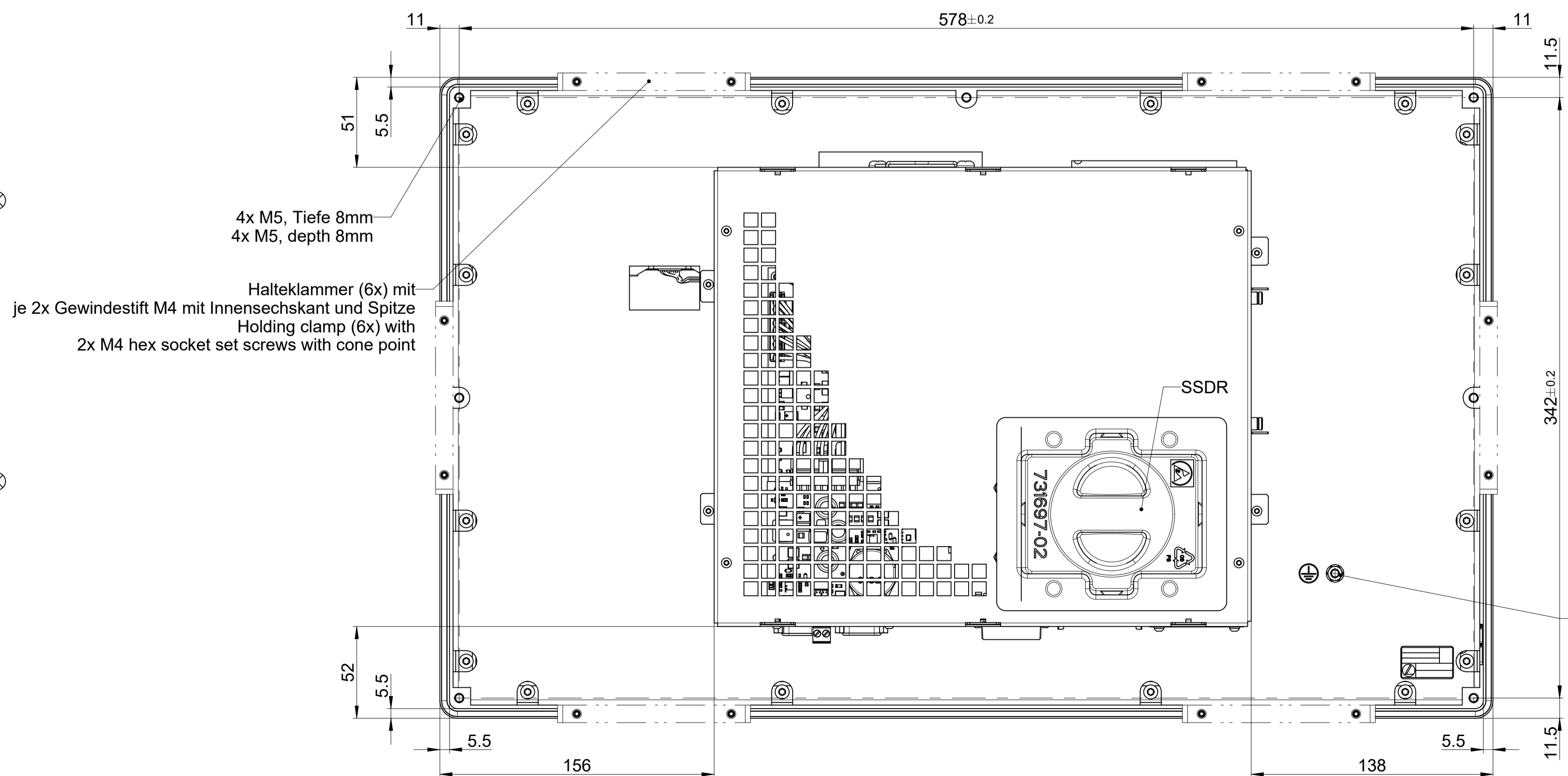
Zubehör / Accessory
Interface Board PROFIBus / PROFINet



0.5
Montagefläche
Mounting surface
s=1,5 - 6,0mm



Stecker Connector	Funktion Function
X26	Ethernet 1
X27	COM 1
X29	reserviert reserved
X101	Stromversorgung 24V-NC Power supply 24V-NC
X116	Ethernet 2
X125	SIK
X141, X142 X143, X144	USB
X500	HSCI Ausgang 1 HSCI out
X501	HSCI Ausgang 2 HSCI out 2
X600	CFR Compact flash removeable



ID number: 1246689-01		C146101-10	
Change No. C146101-10		Serie	
Phase: Serie		Tolerances as per ISO 8015	
Original drawing		MC 366	
Scale: 1:2		Anschlussmaße / Mating Dimensions	
Format: A1		General Tolerances ISO 2768:1989-mH ±0.2	
The reproduction, distribution and utilization of this document as well as the communication of its contents to others without express authorization is prohibited. Offenders will be held liable for the payment of damages. All rights reserved in the event of the grant of a patent, utility model or design. (ISO 15015)			
Released: 05.08.2022		Version / Revision / Sheet / Page	
DR. JOHANNES HEIDENHAIN GmbH 83301 Traunreut, Germany		D1247025-02 - A-01 1 of 1	